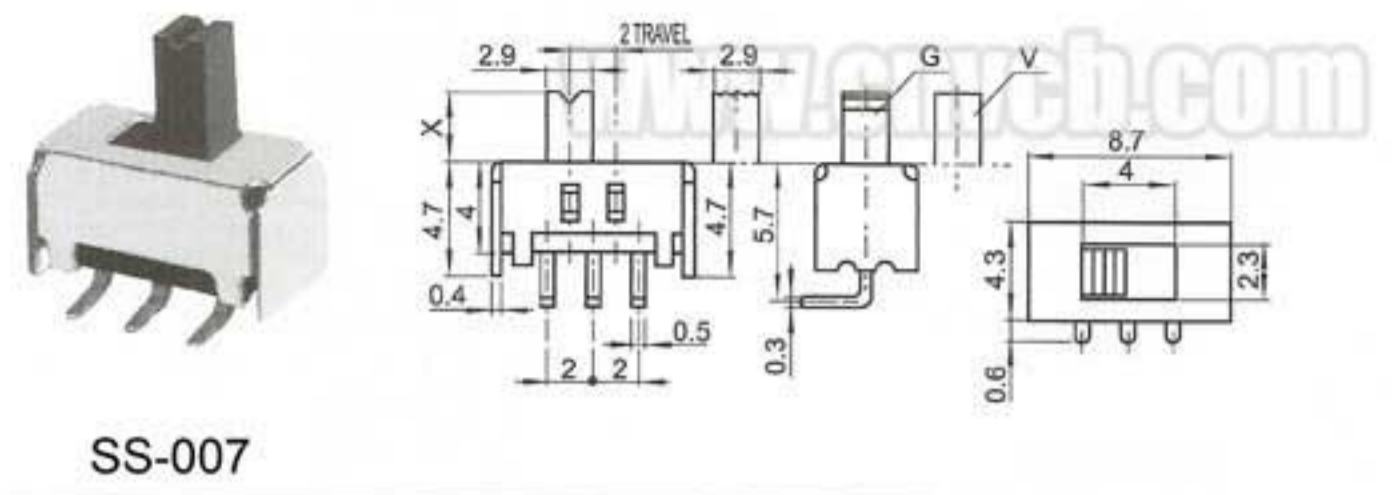
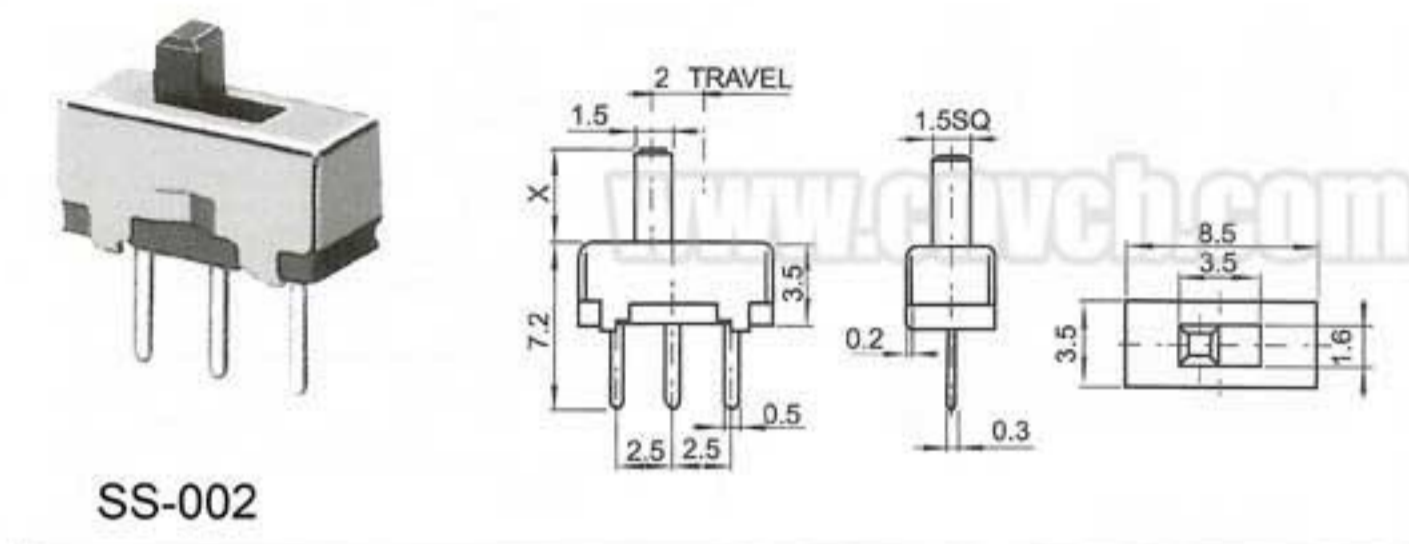


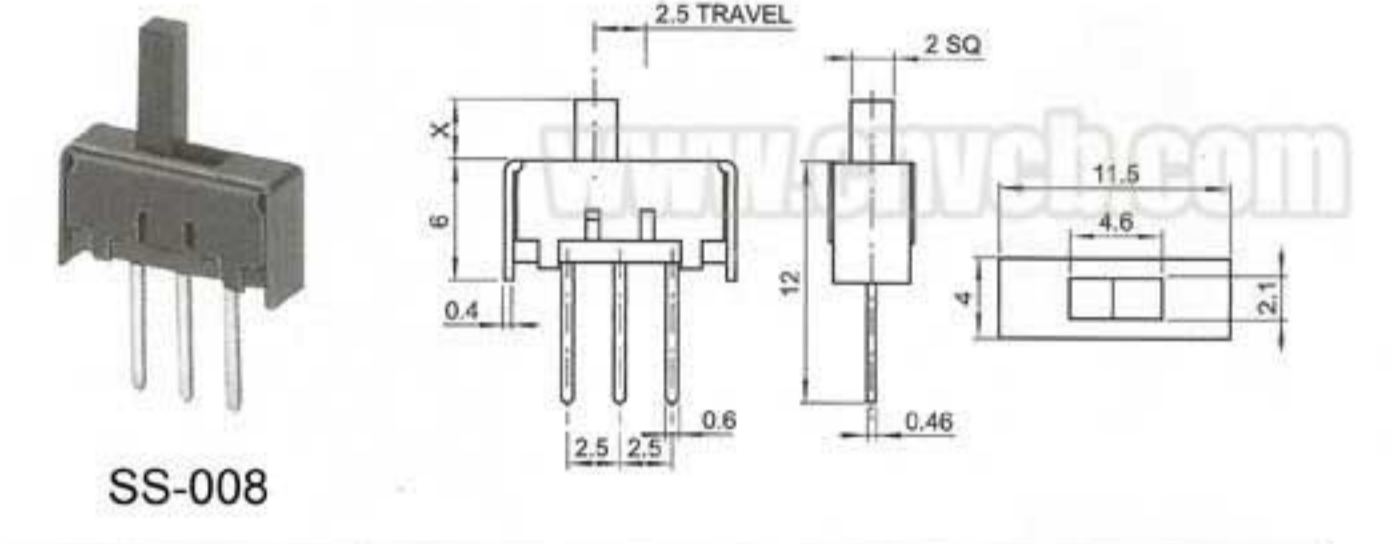
SS-001



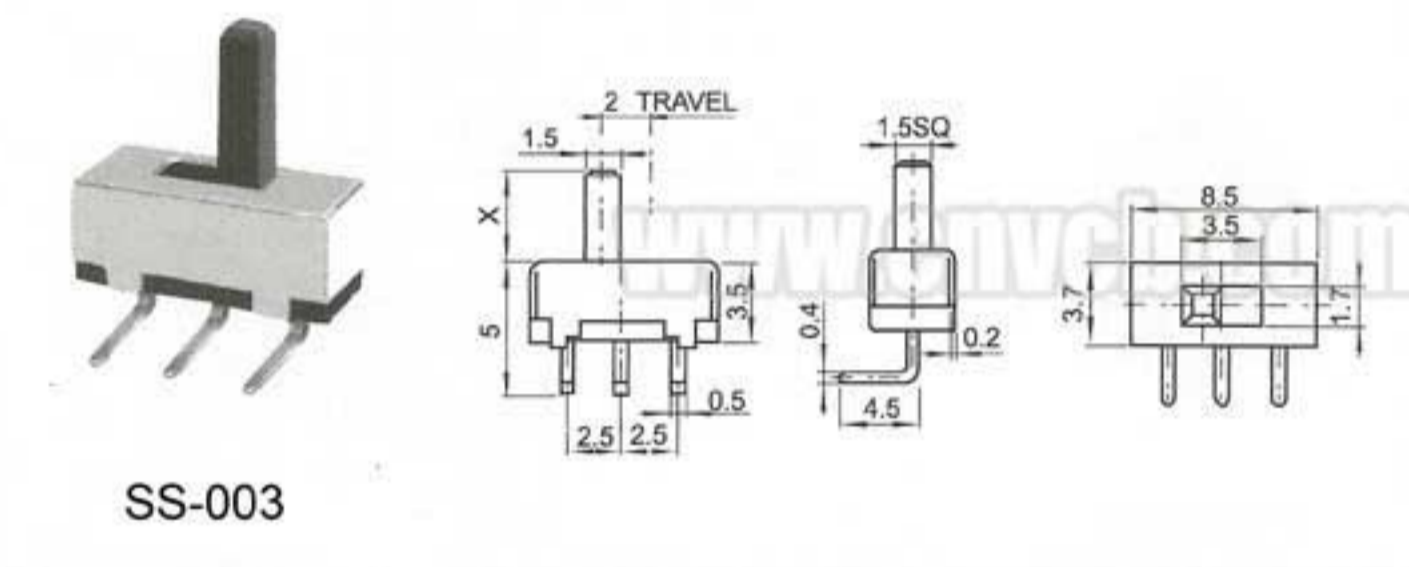
SS-007



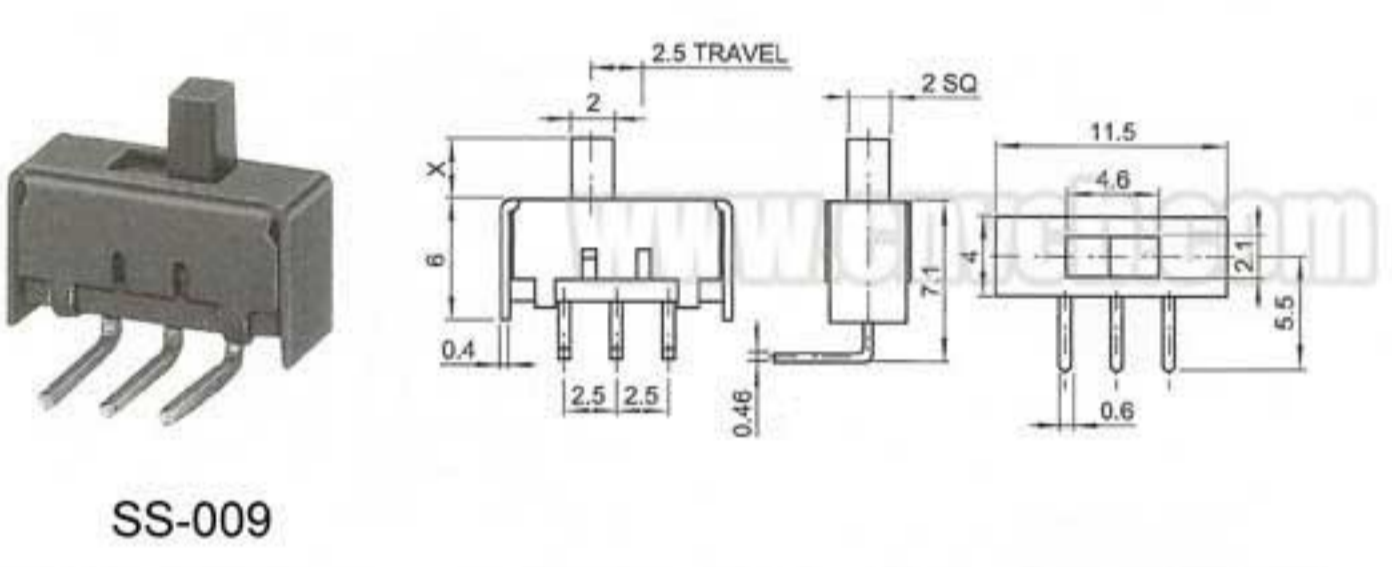
SS-002



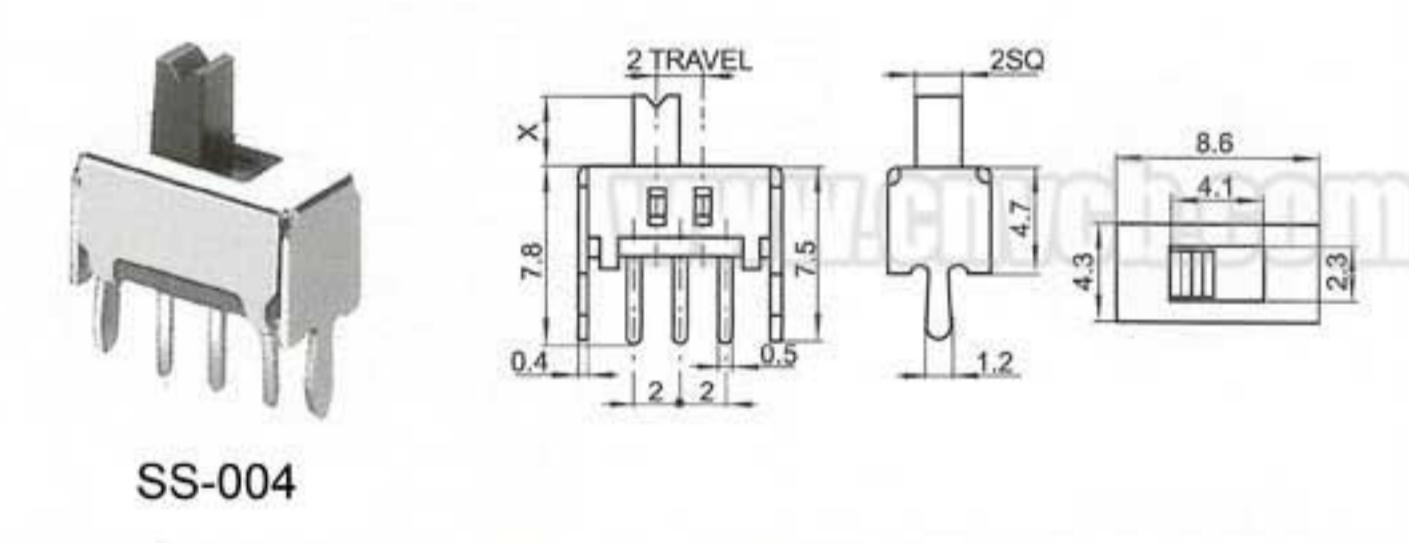
SS-008



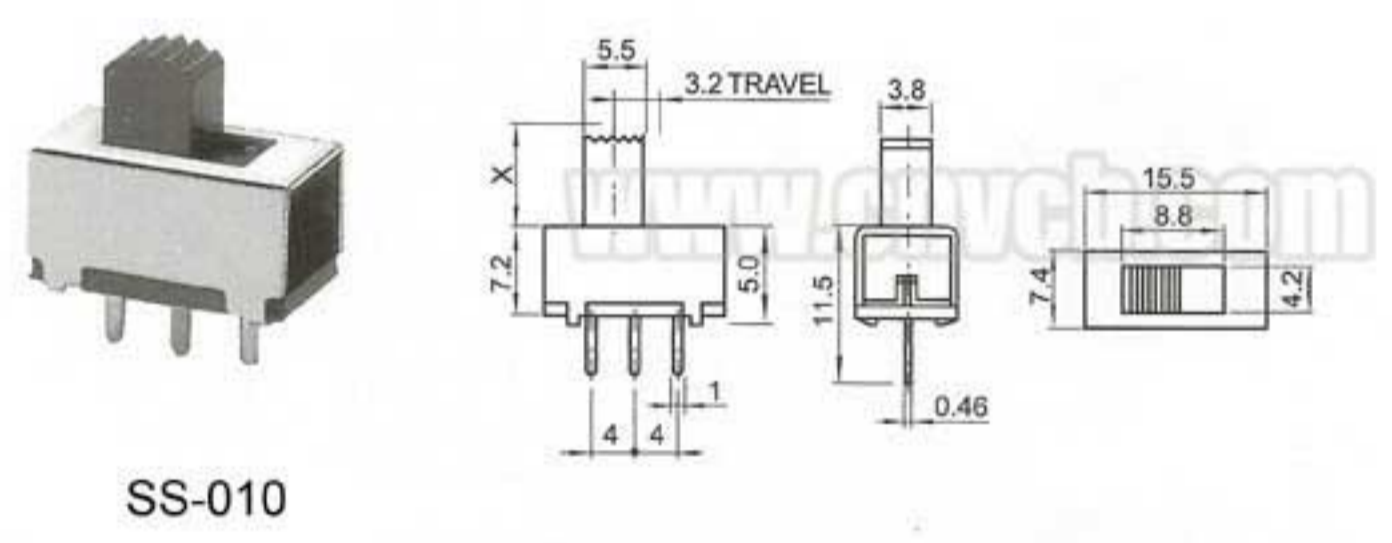
SS-003



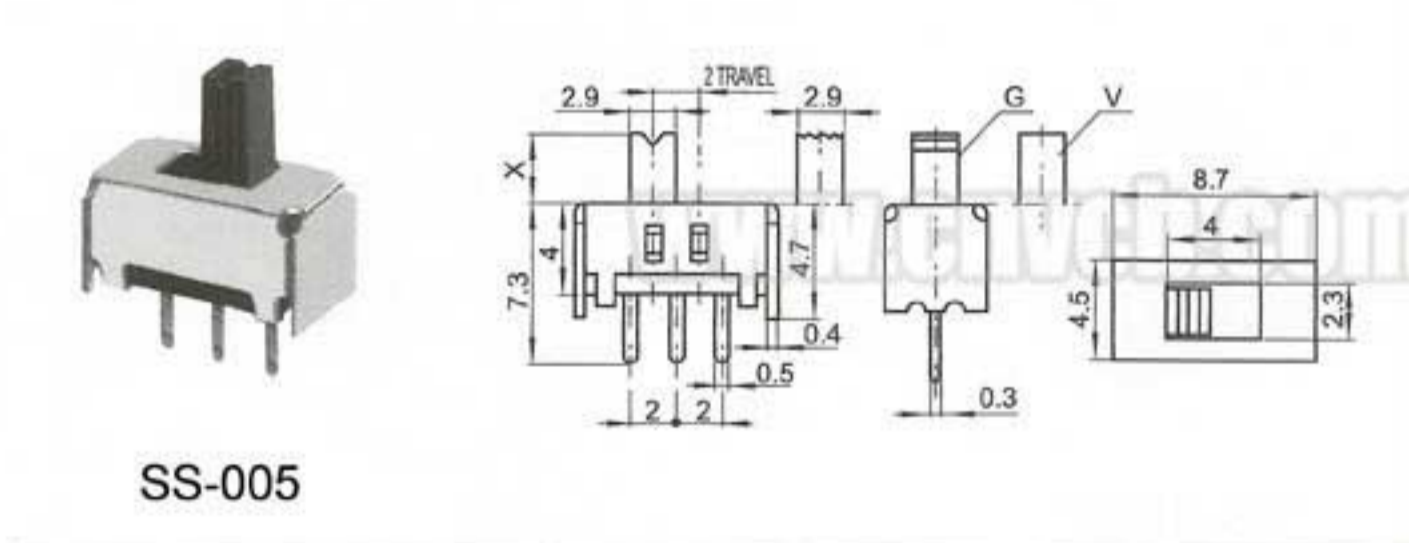
SS-009



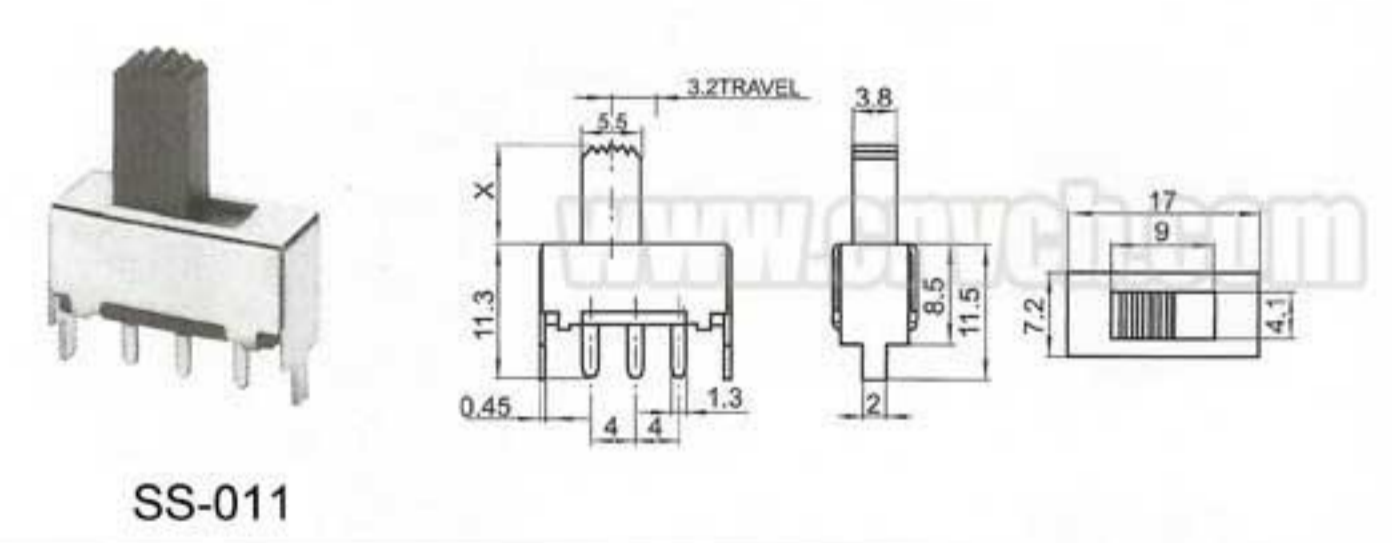
SS-004



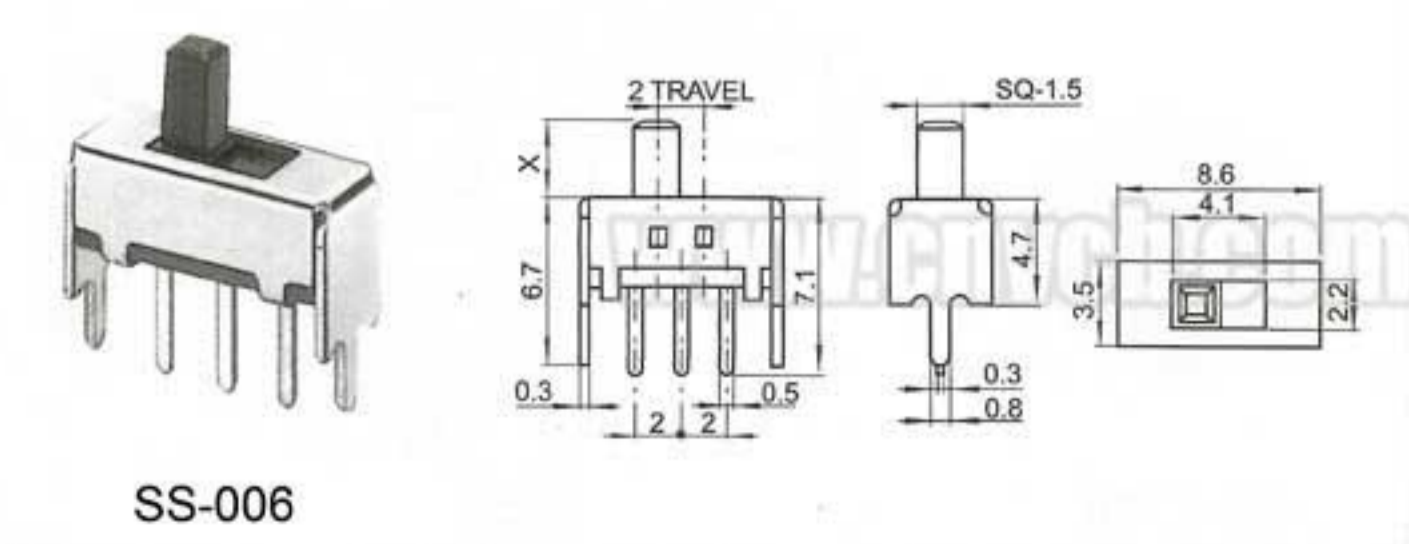
SS-010



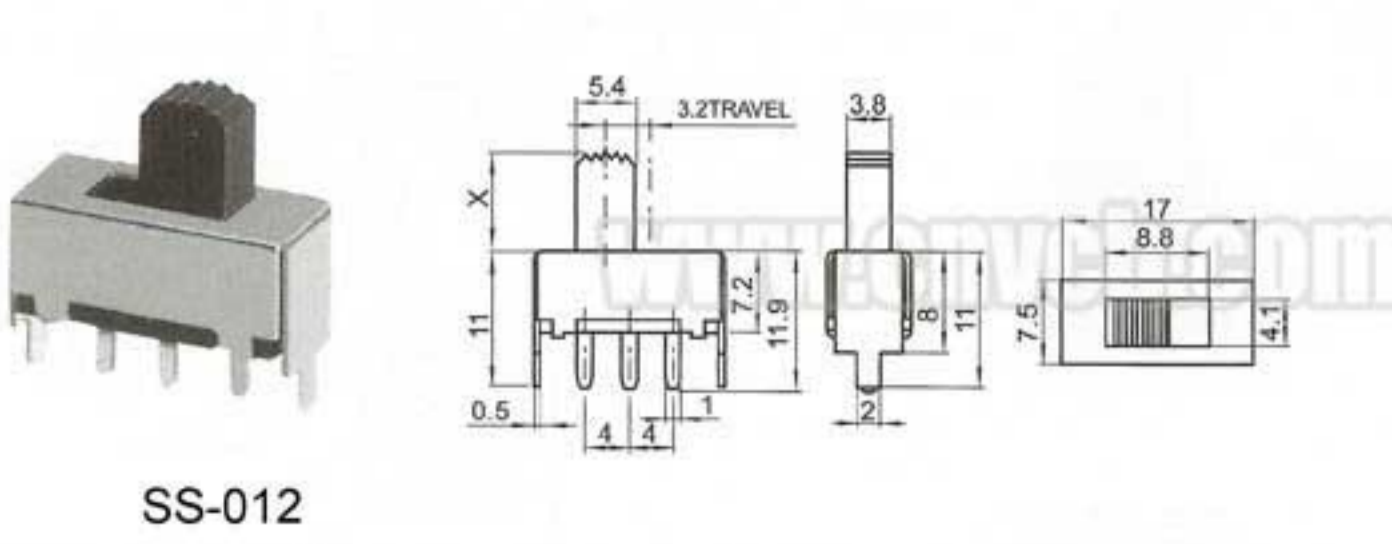
SS-005



SS-011

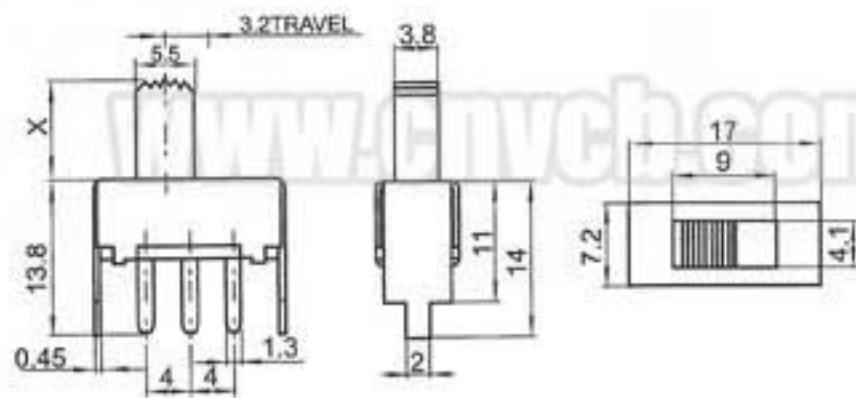


SS-006

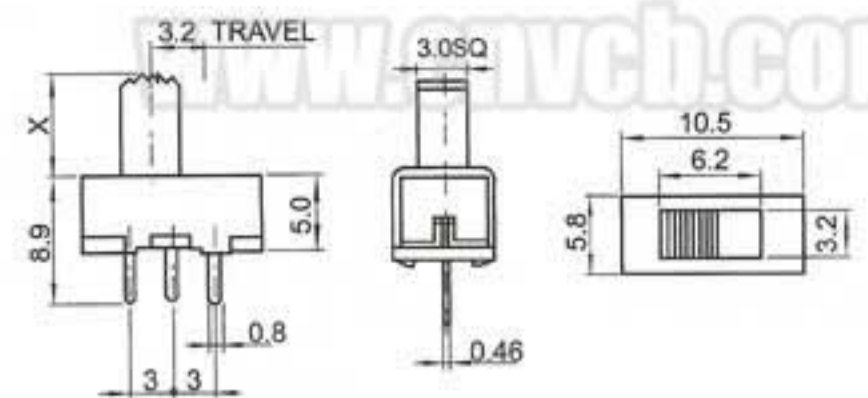


SS-012

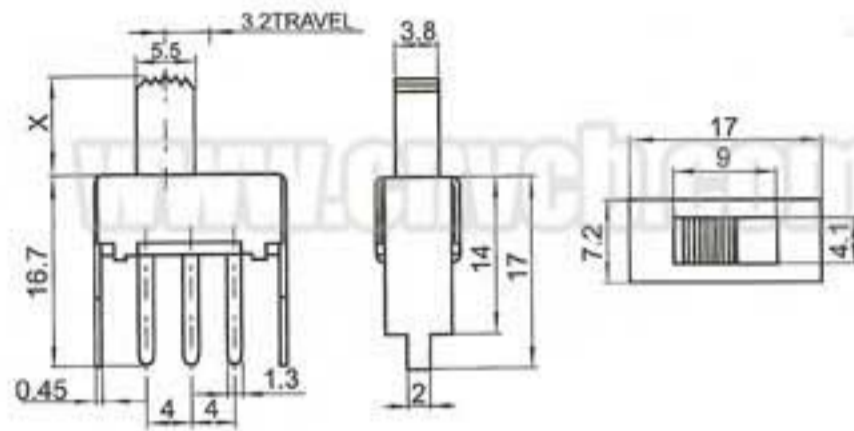
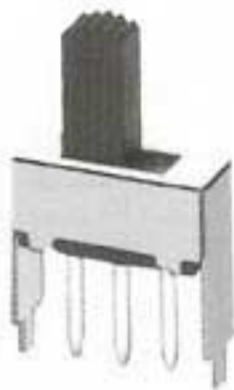




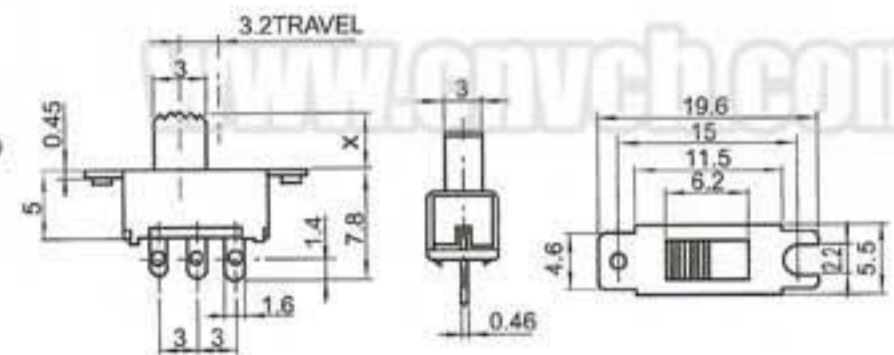
SS-013



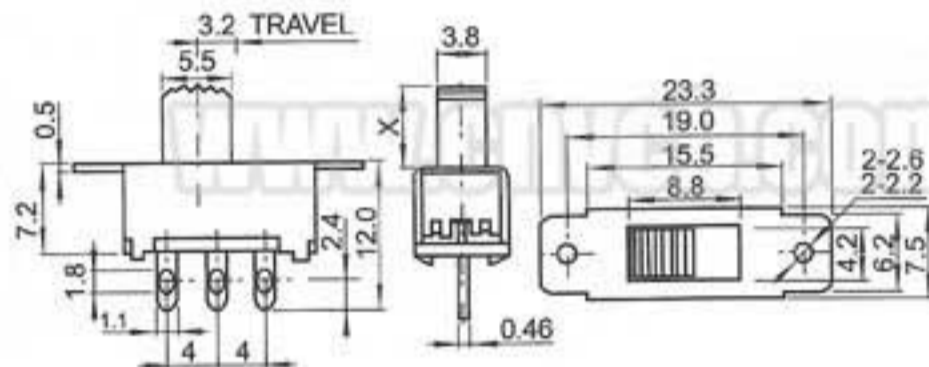
SS-019



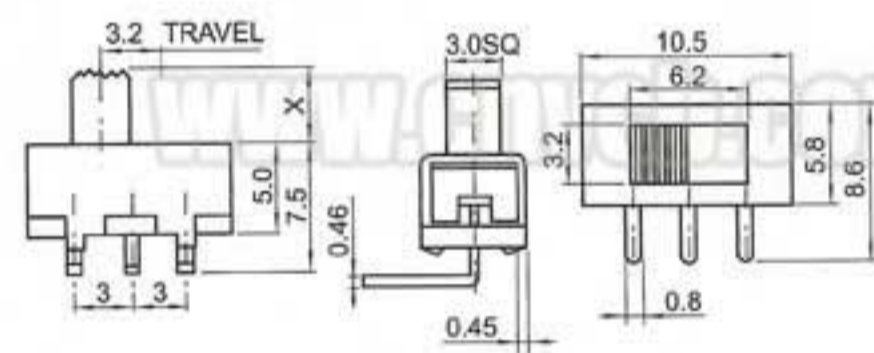
SS-014



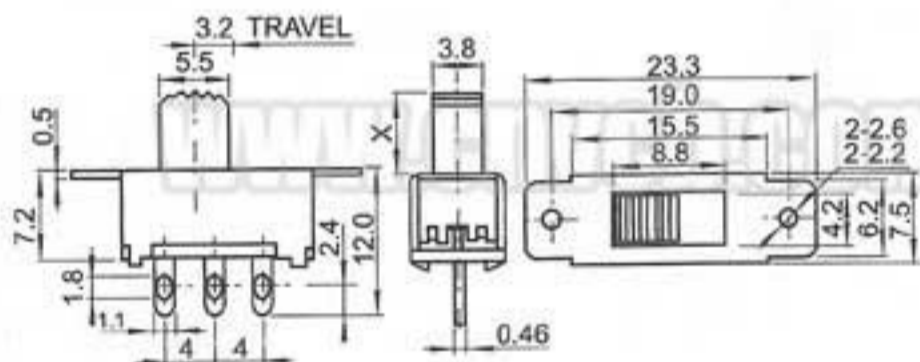
SS-020



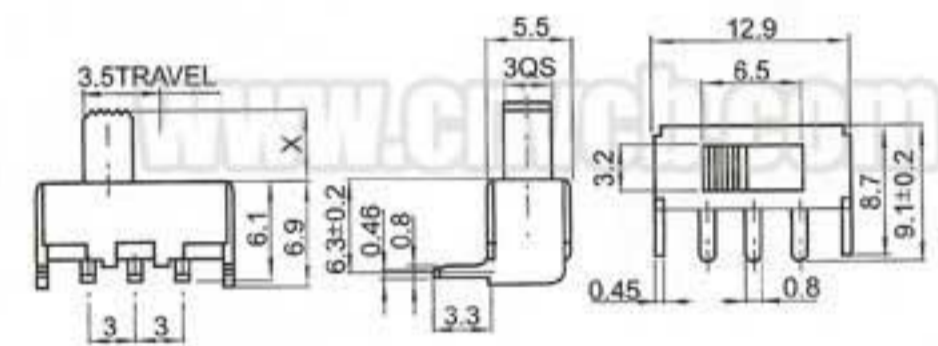
SS-015



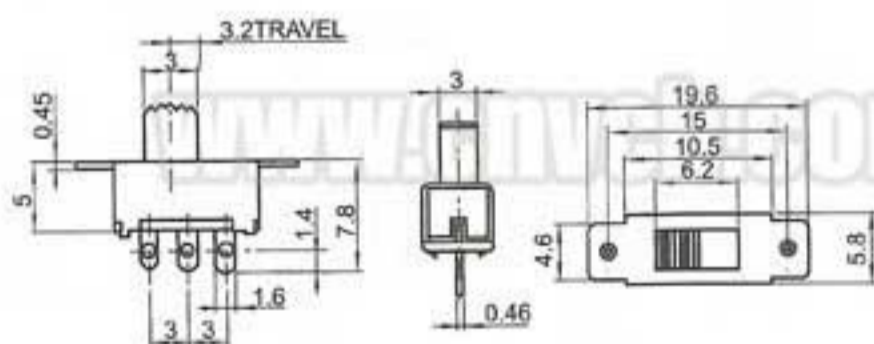
SS-021



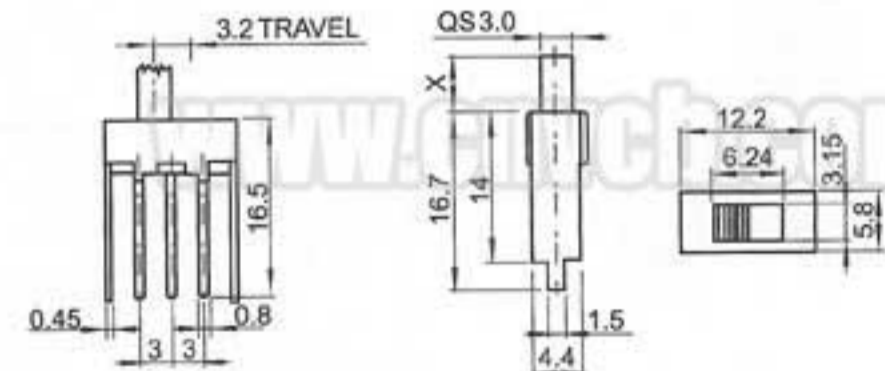
SS-016



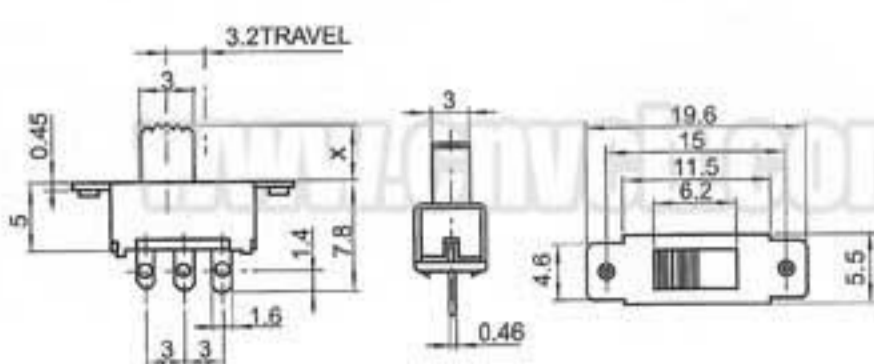
SS-022



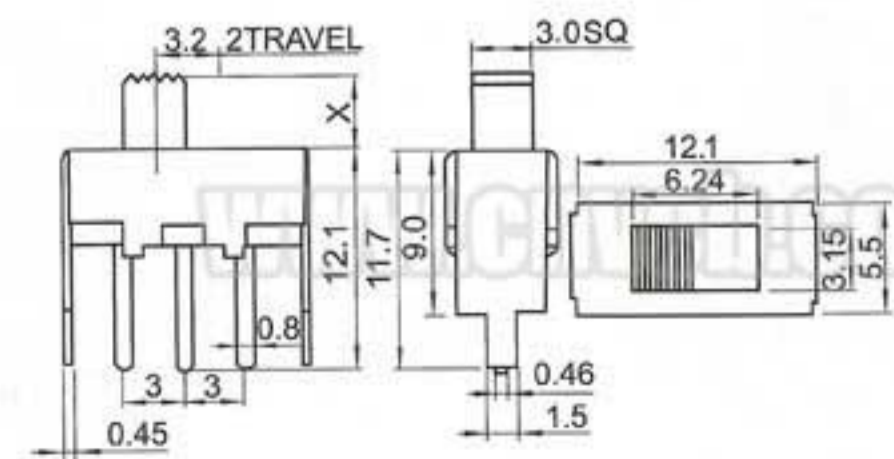
SS-017



SS-023

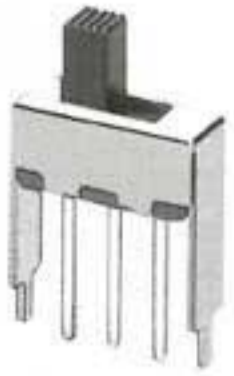


SS-018

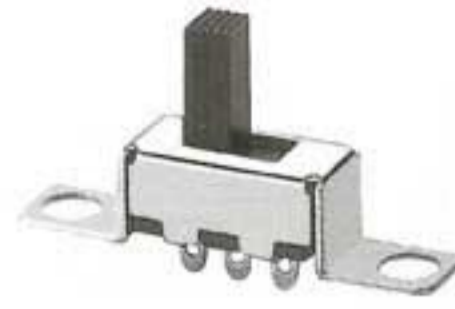
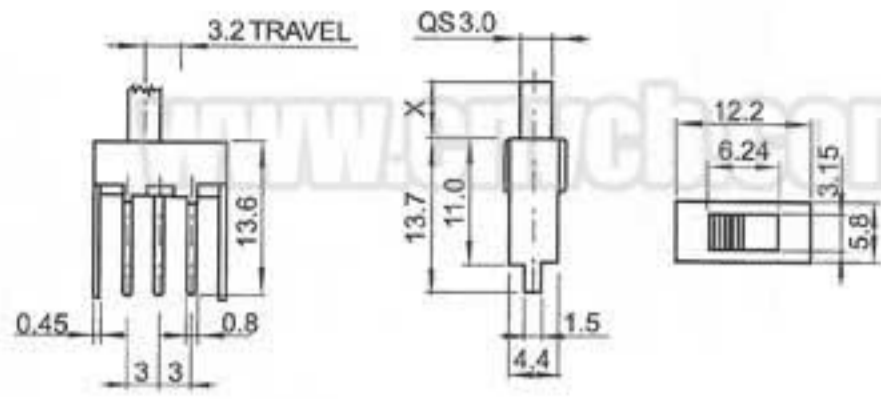


SS-024

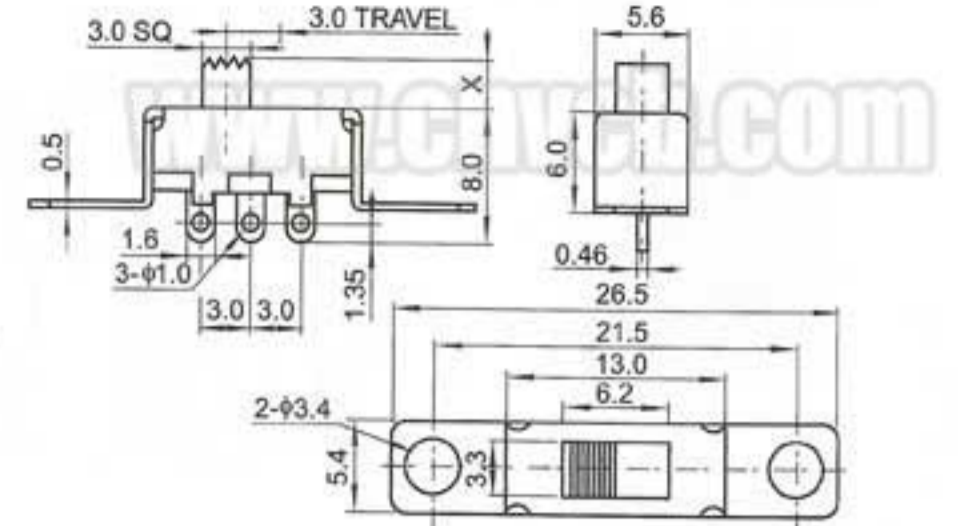




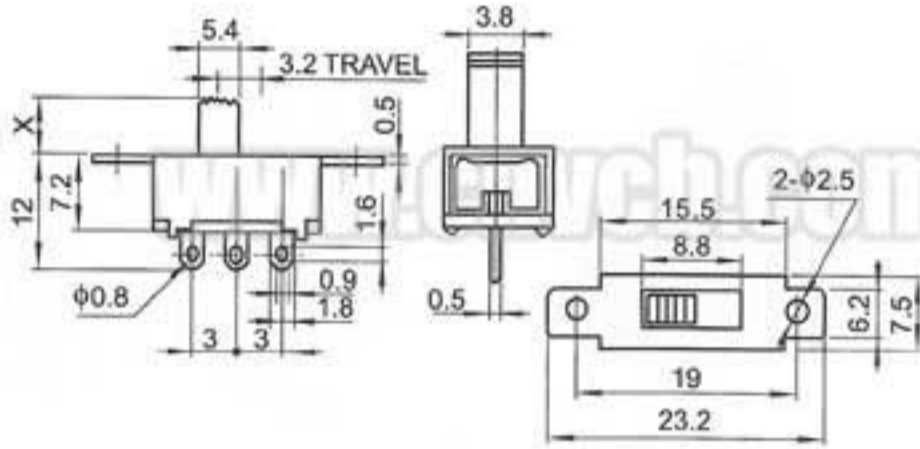
SS-025



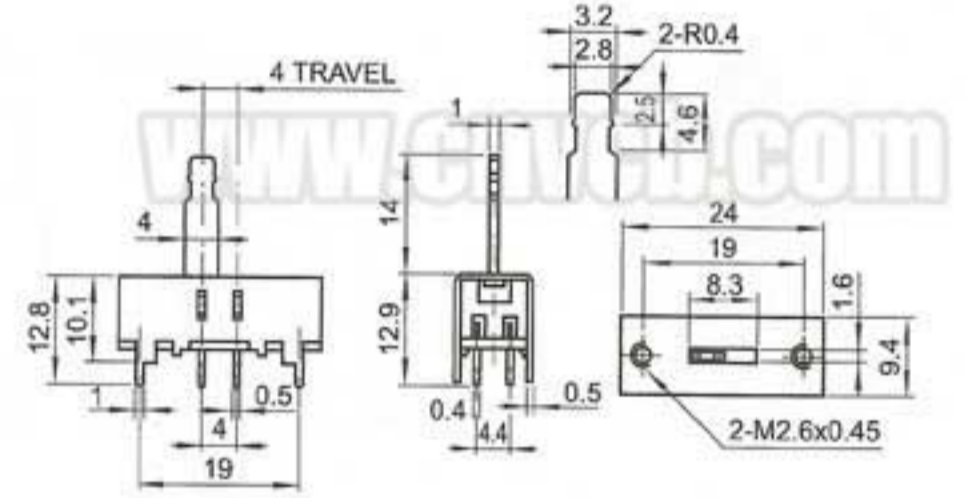
SS-031



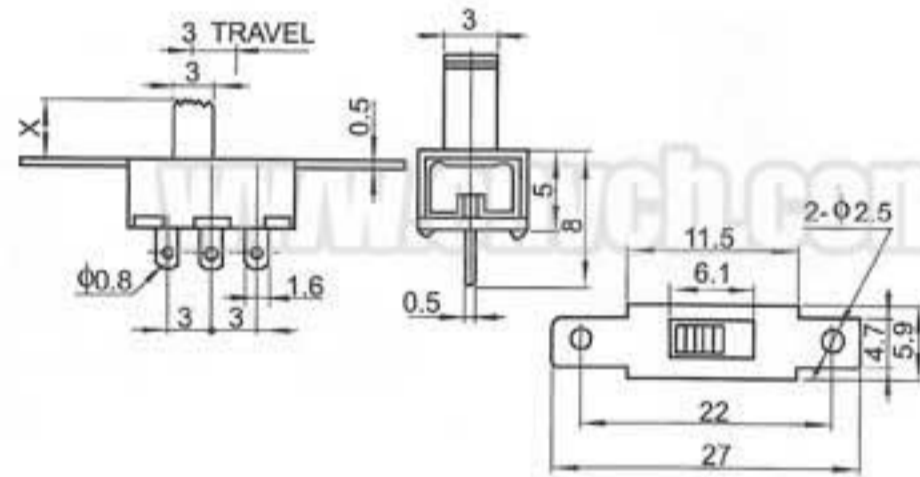
SS-026



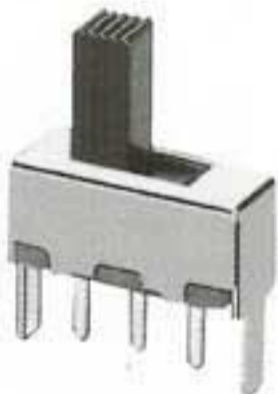
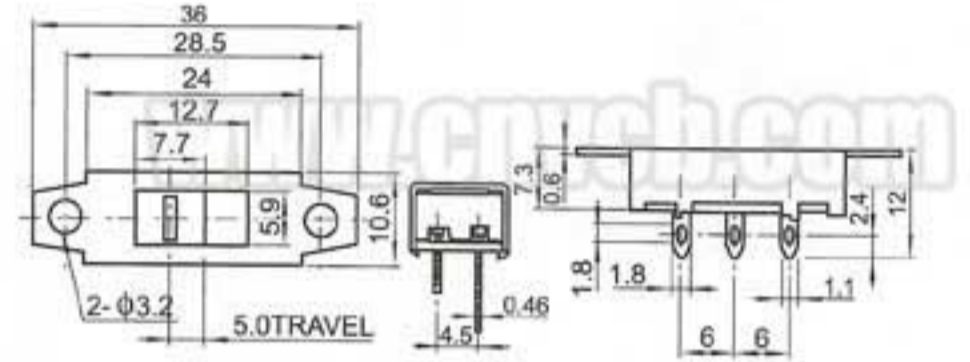
SS-032



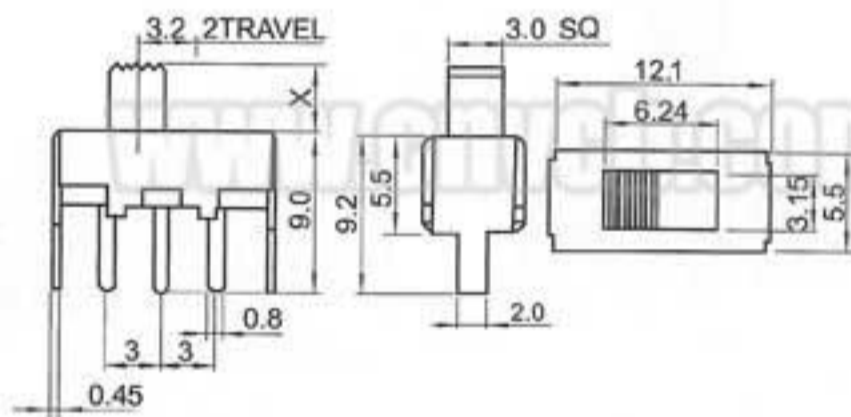
SS-027



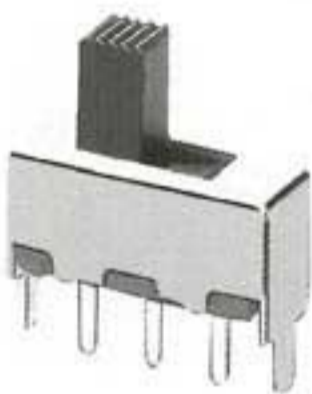
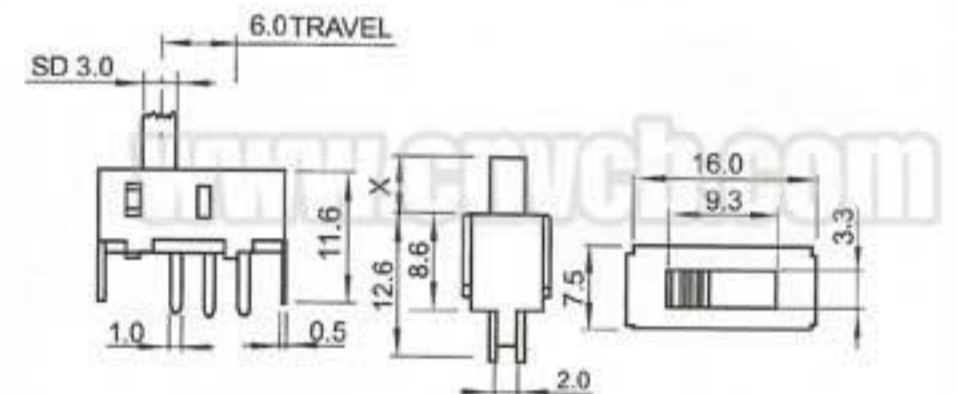
SS-033



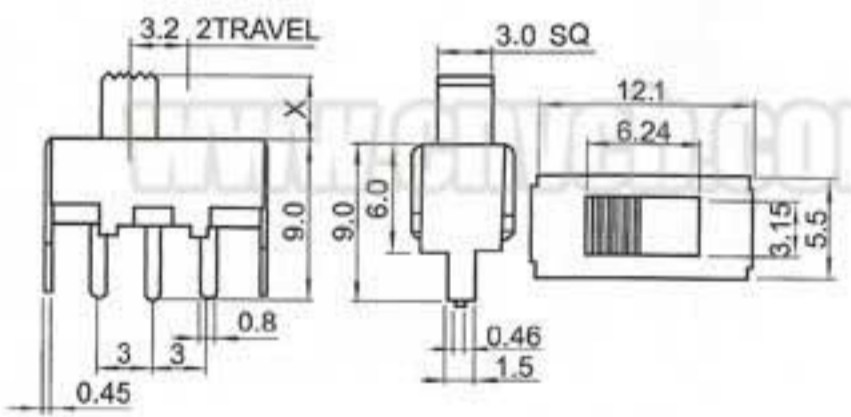
SS-028



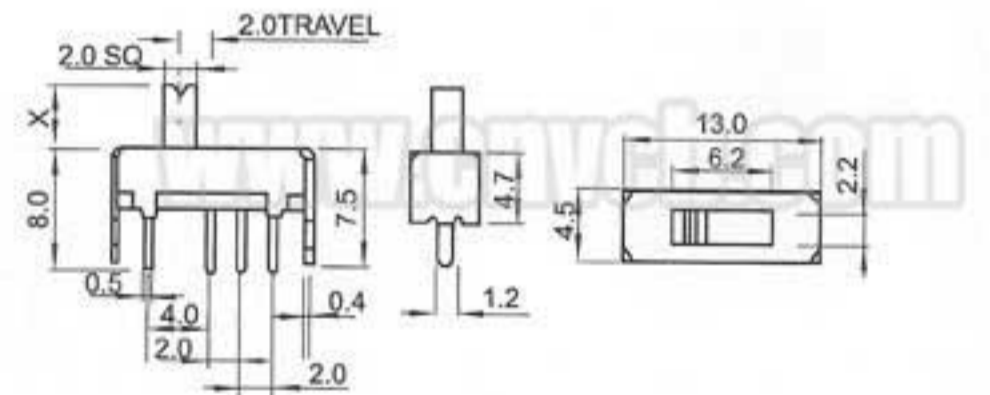
SS-034



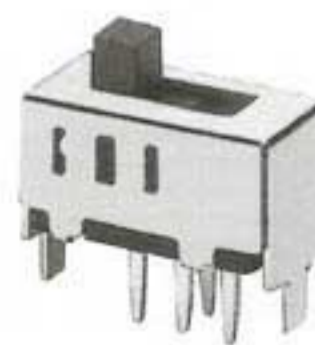
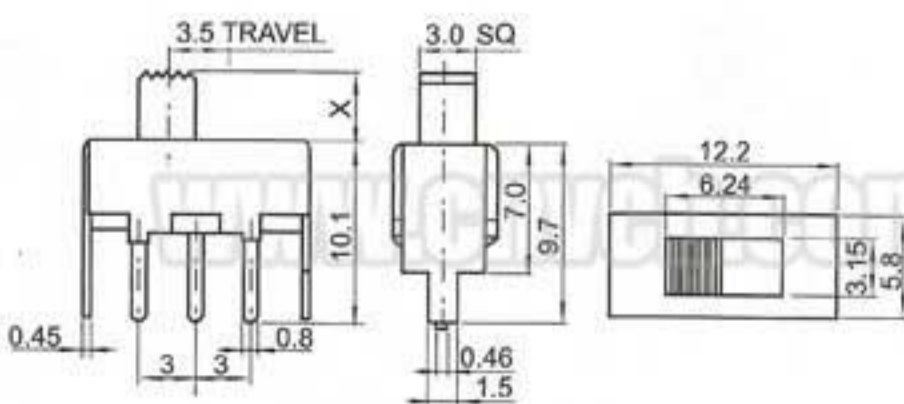
SS-029



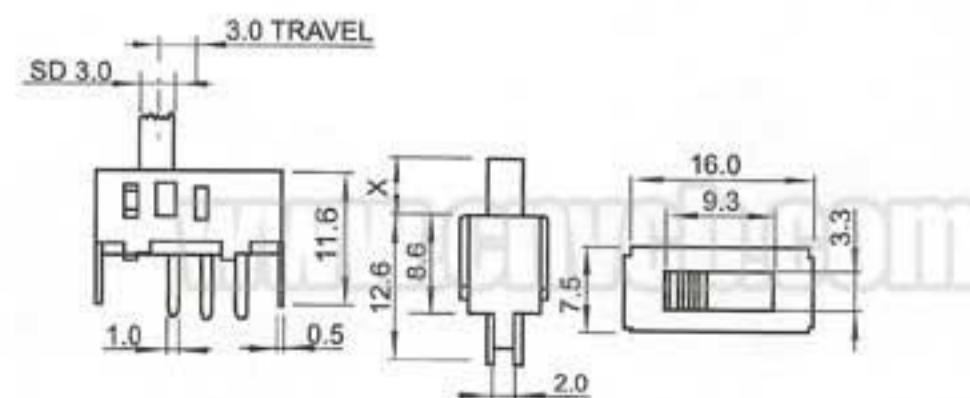
SS-035



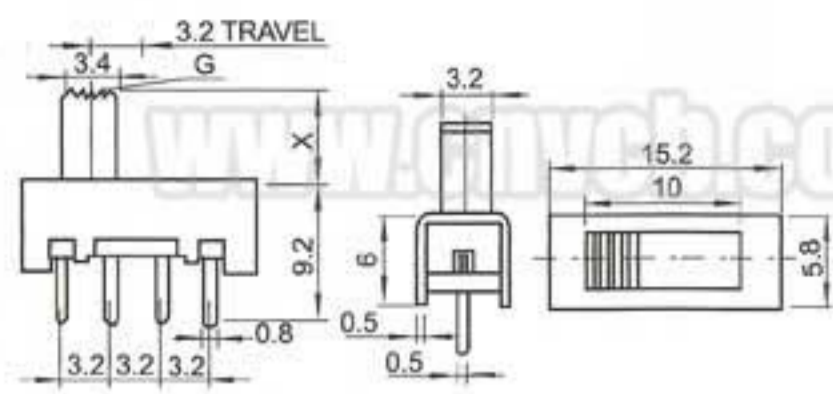
SS-030



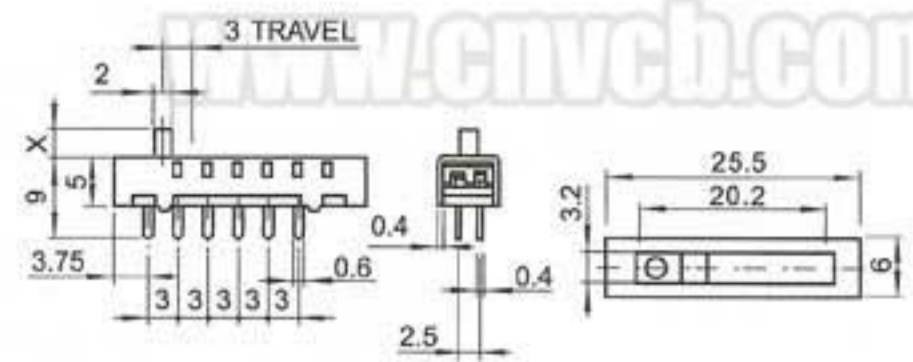
SS-036



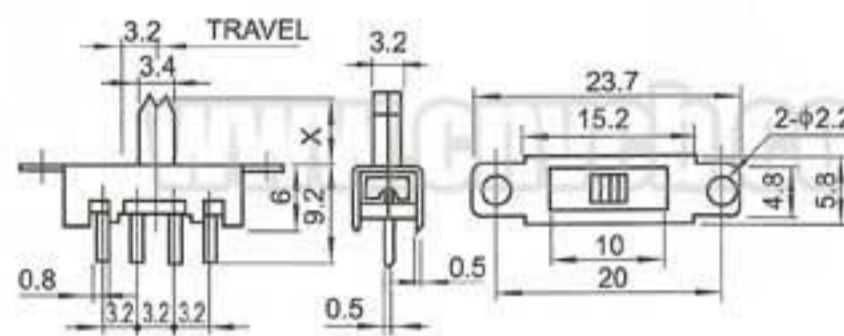
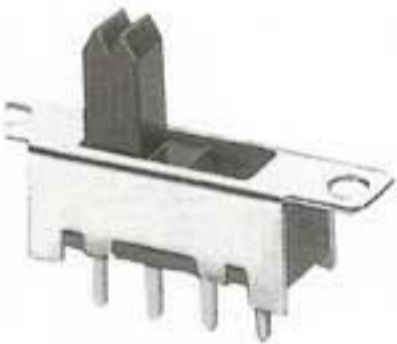




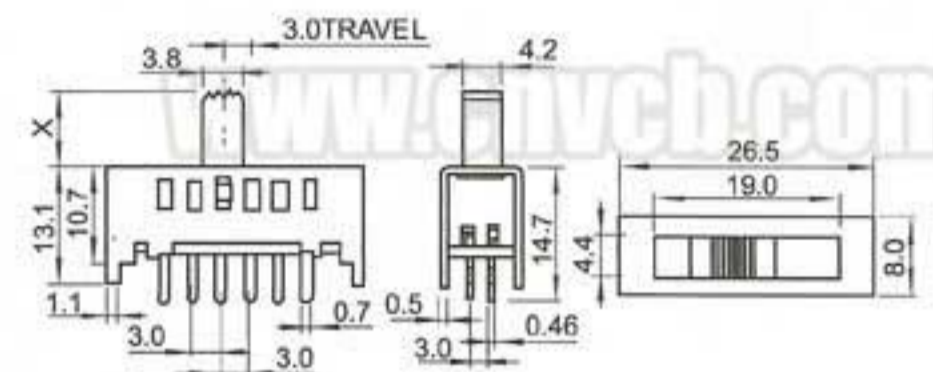
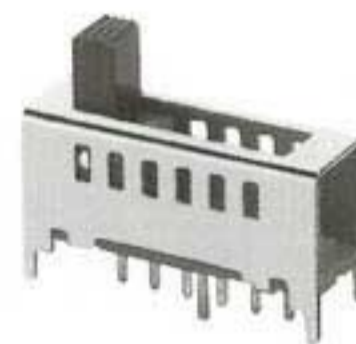
SS-037



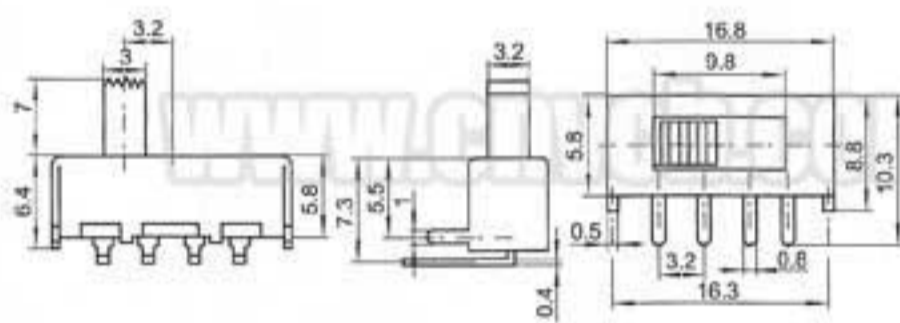
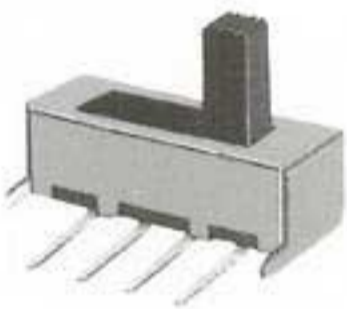
SS-043



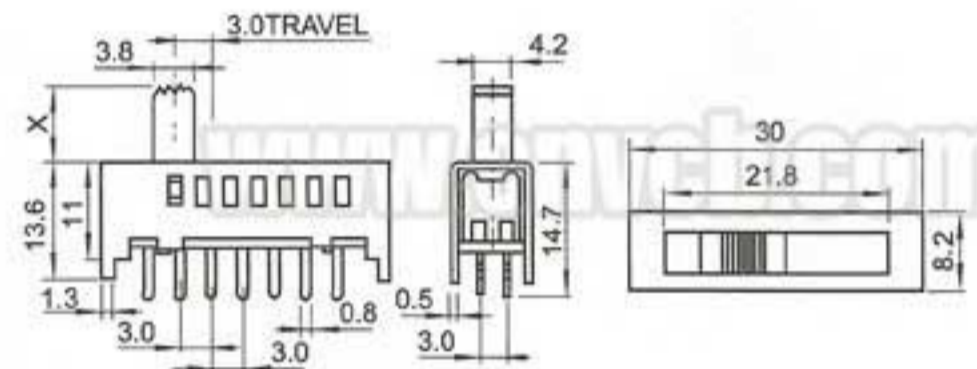
SS-038



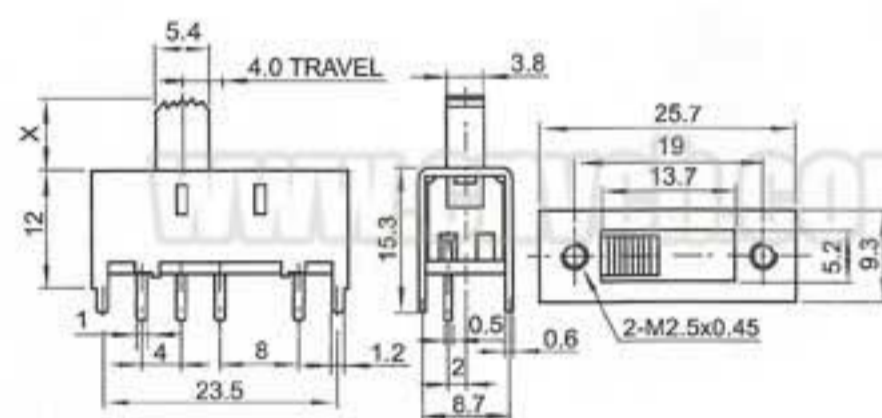
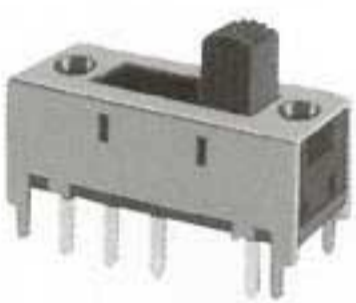
SS-044



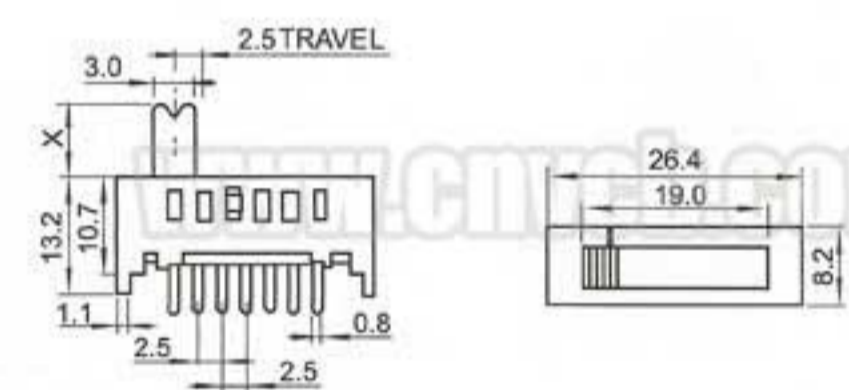
SS-039



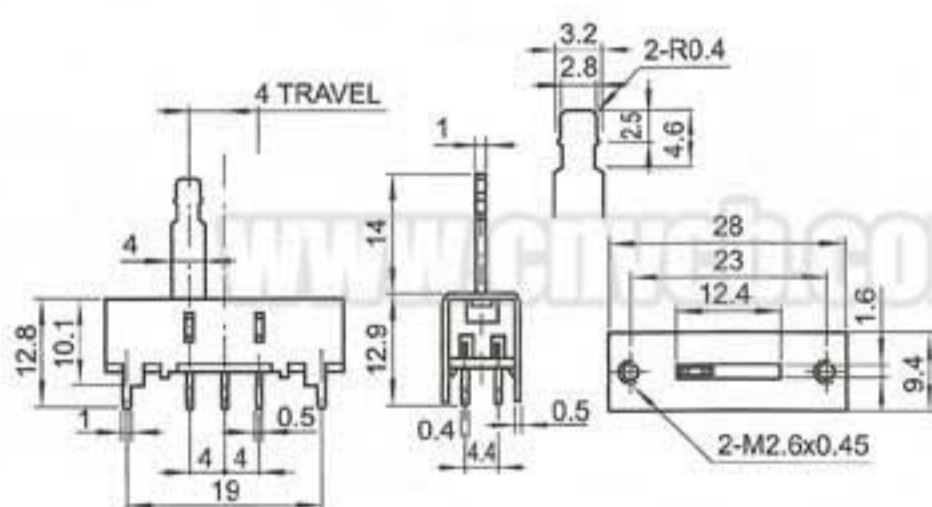
SS-045



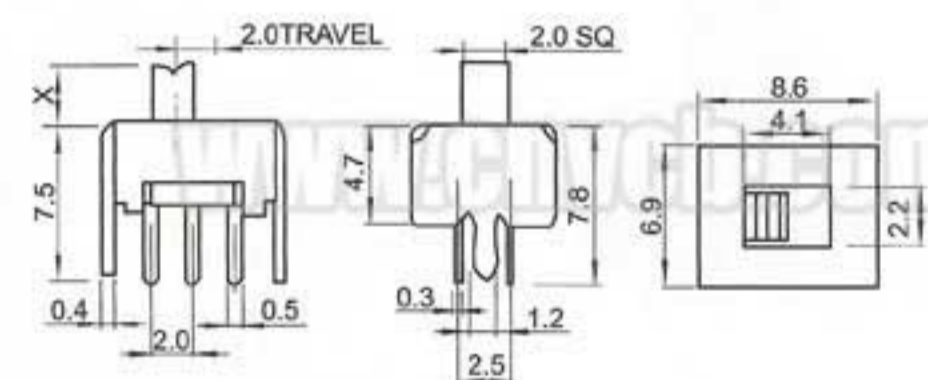
SS-040



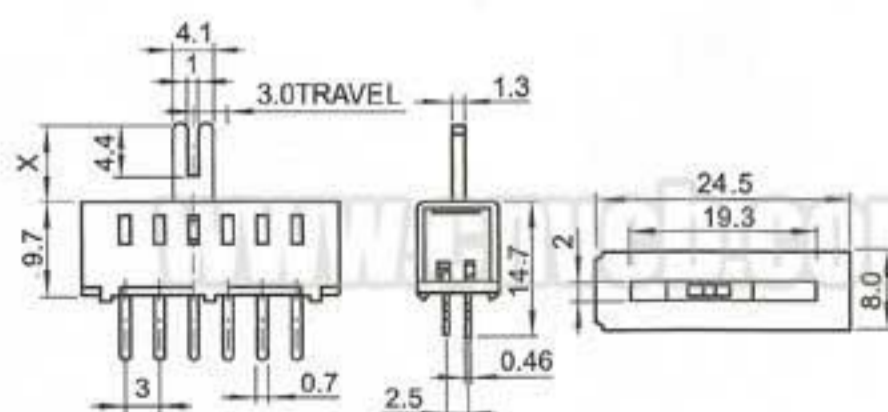
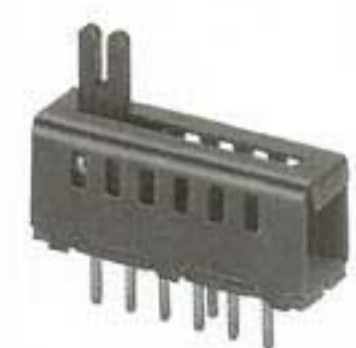
SS-046



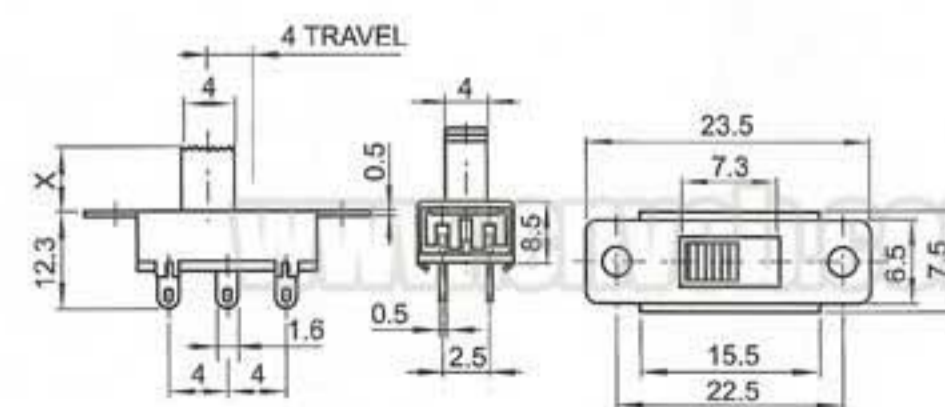
SS-041



SS-047

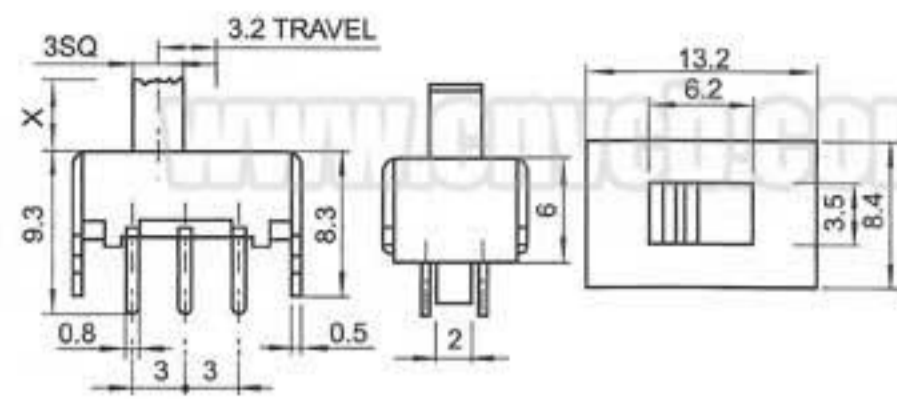


SS-042

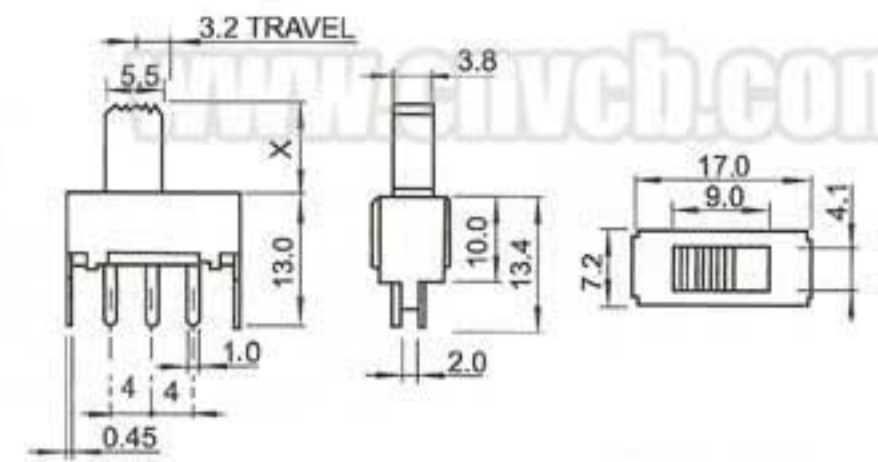
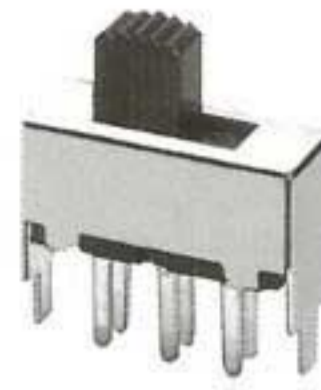


SS-048

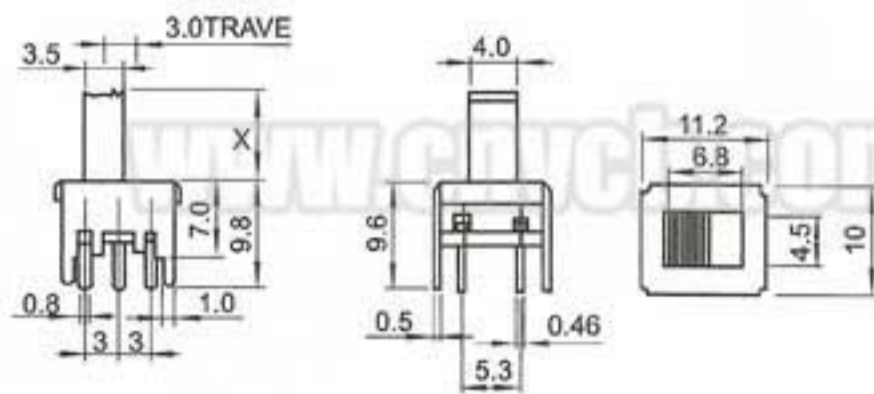




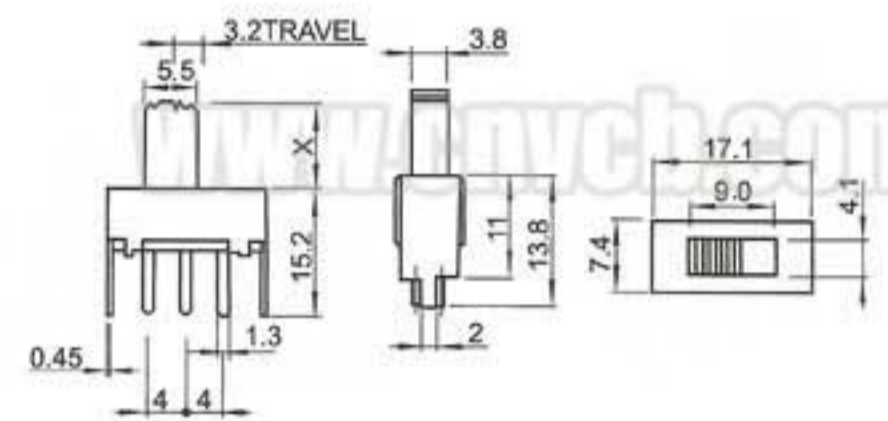
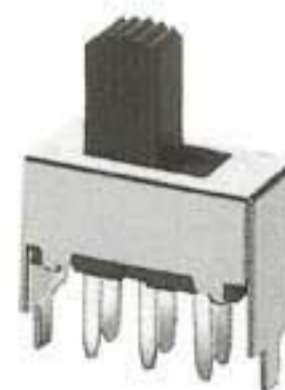
SS-049



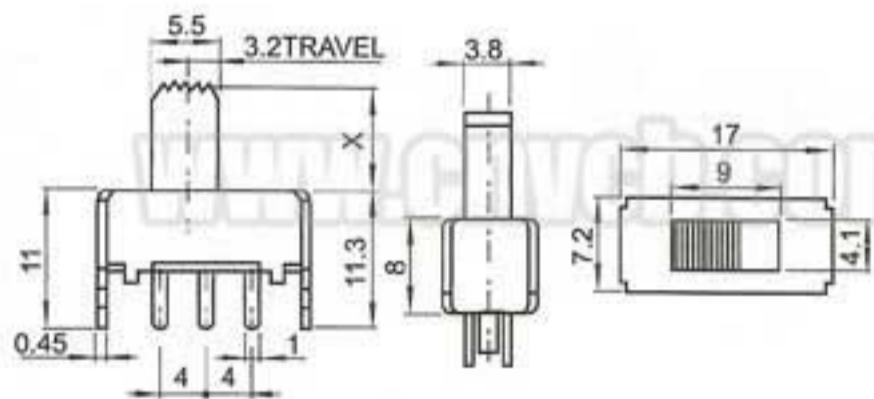
SS-055



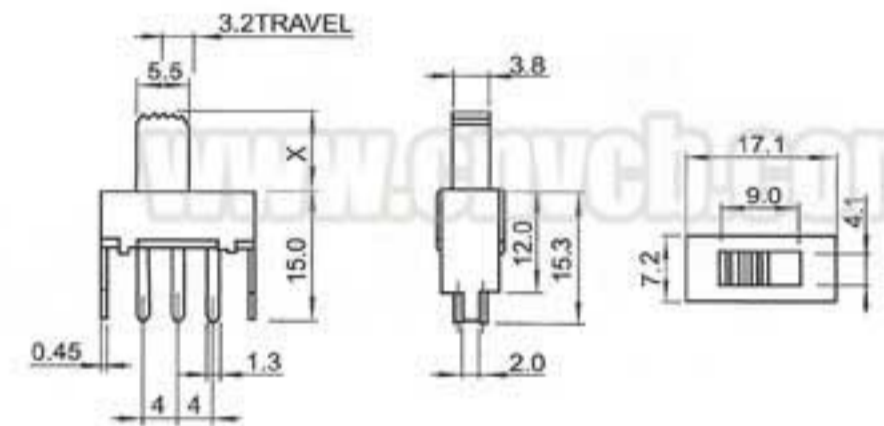
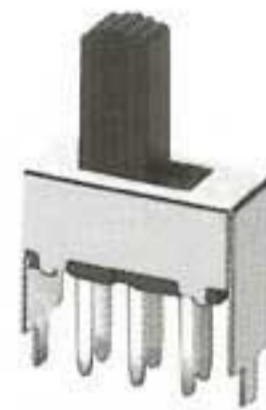
SS-050



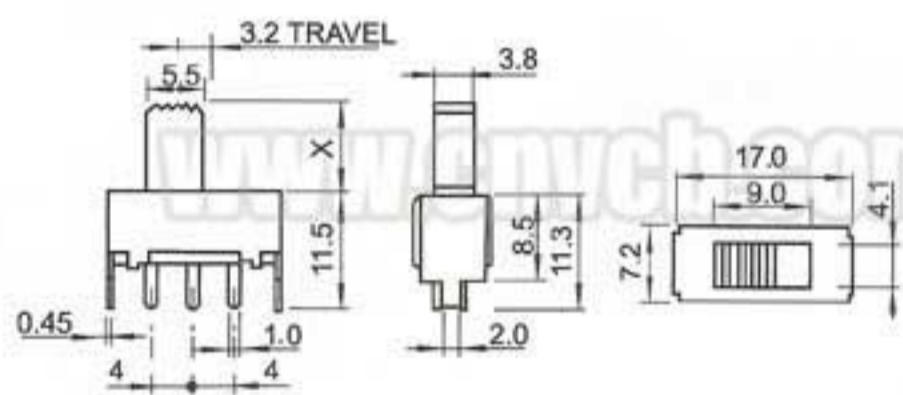
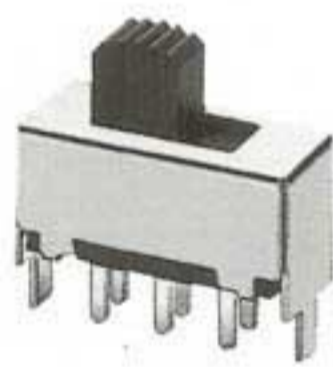
SS-056



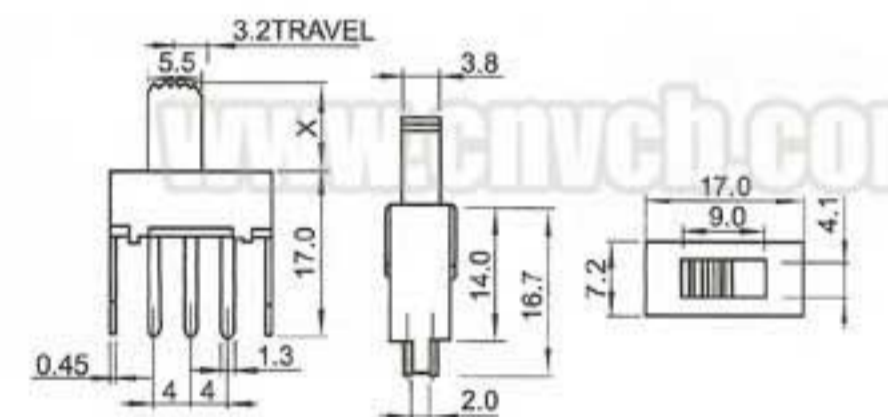
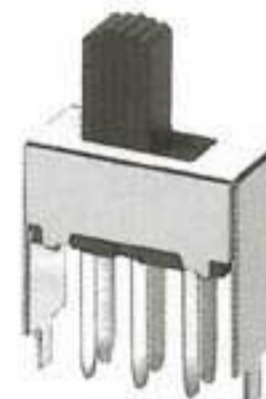
SS-051



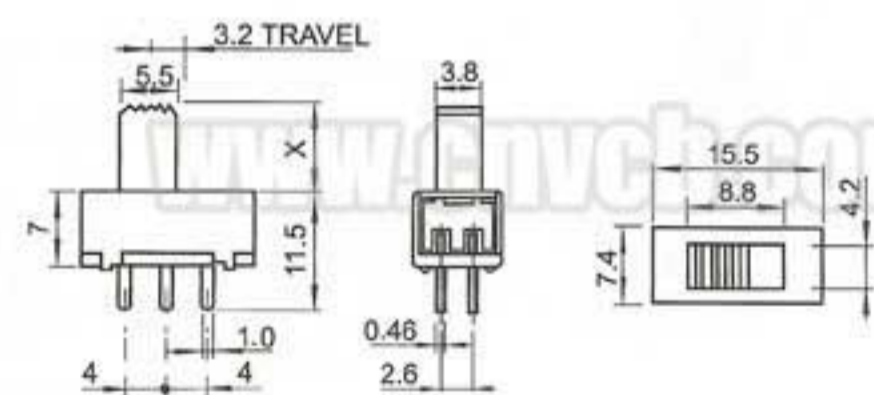
SS-057



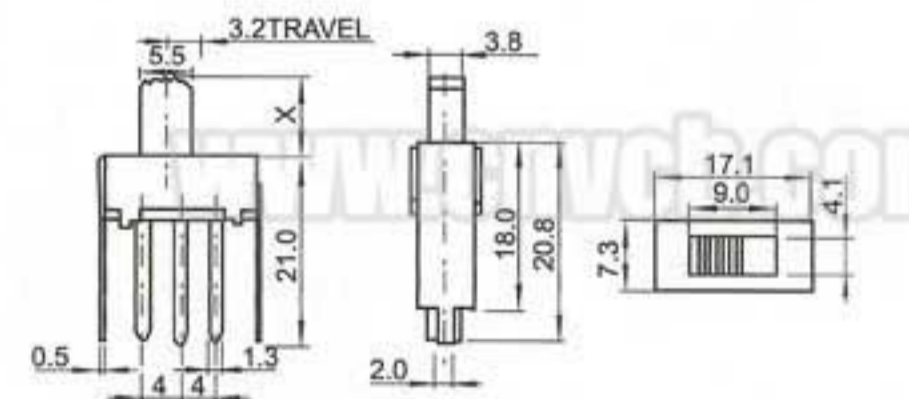
SS-052



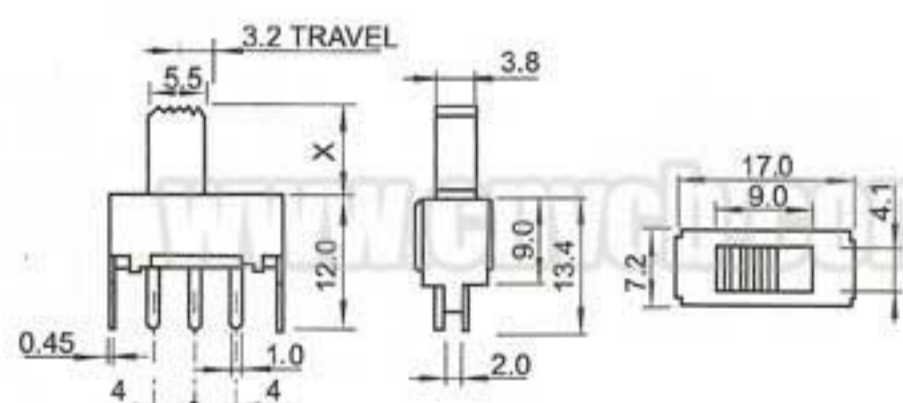
SS-058



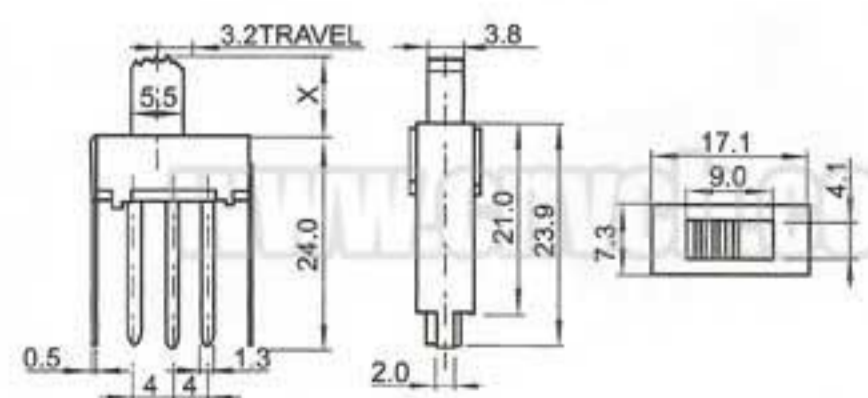
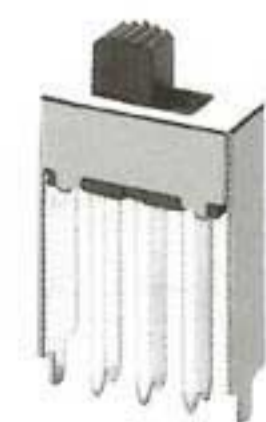
SS-053



SS-059

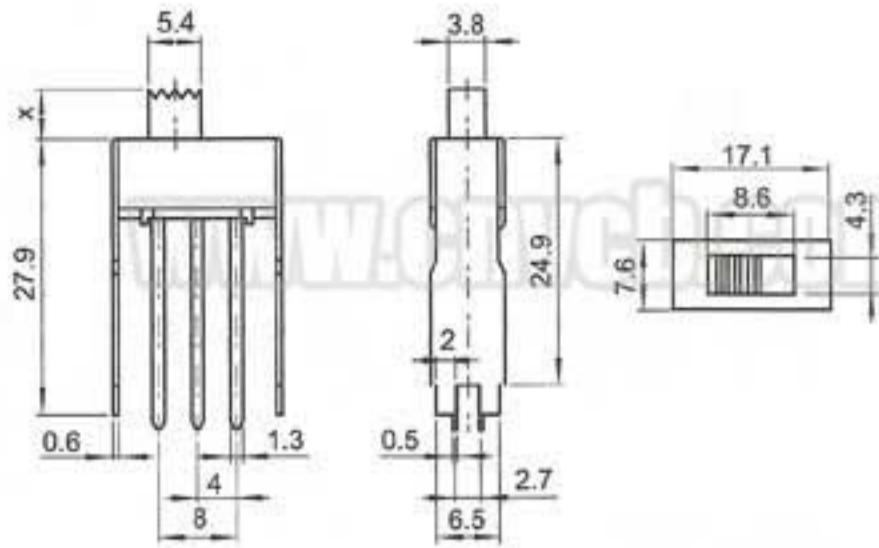


SS-054

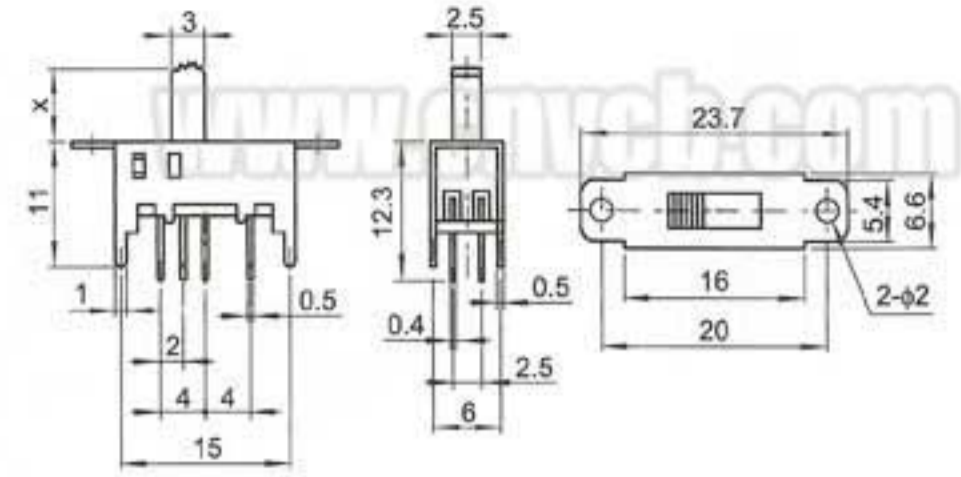
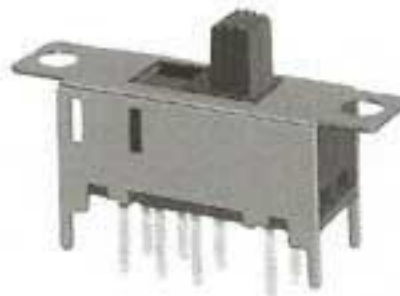


SS-060

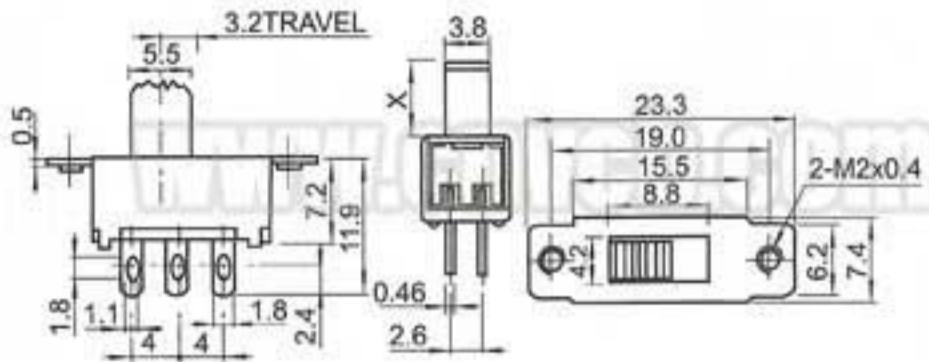




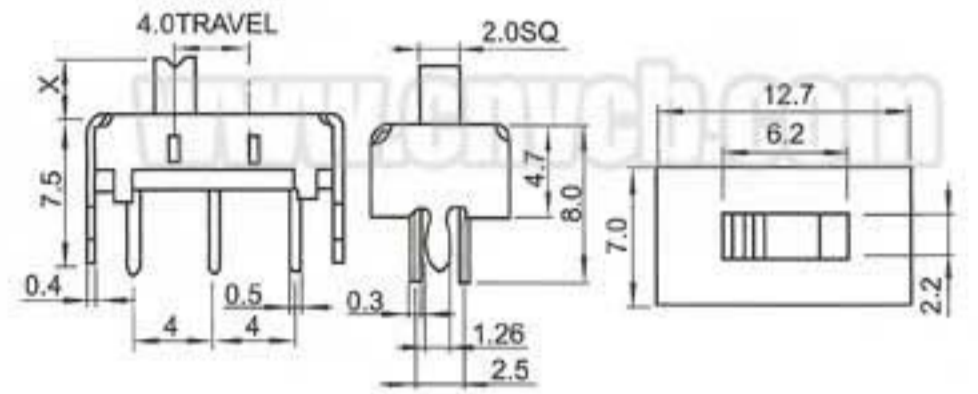
SS-061



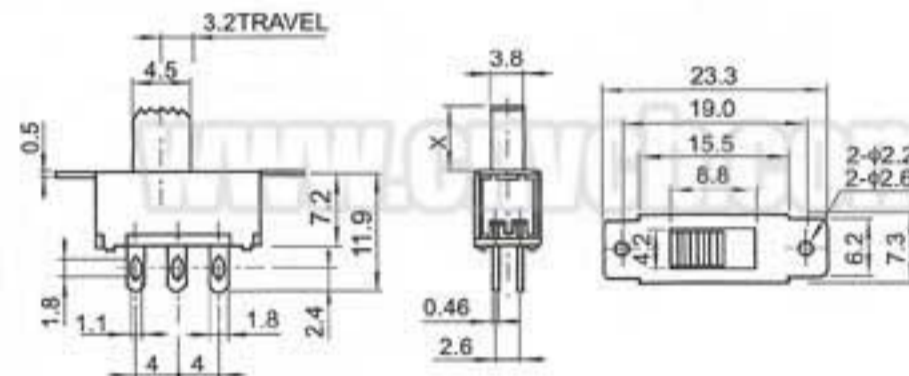
SS-067



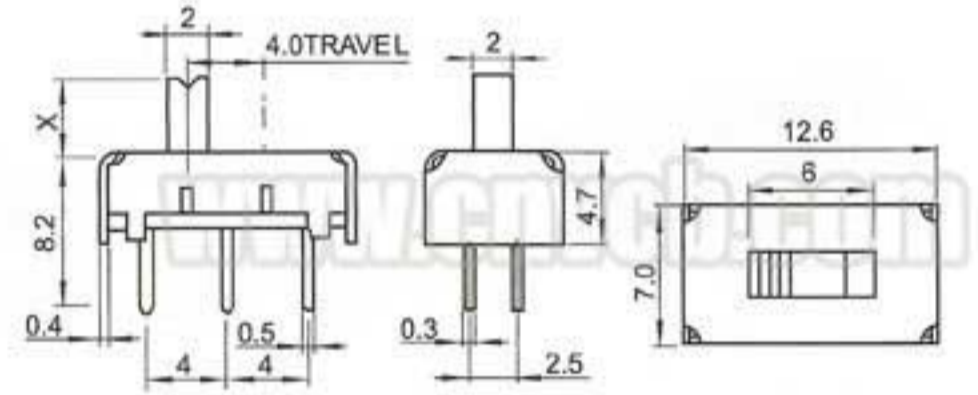
SS-062



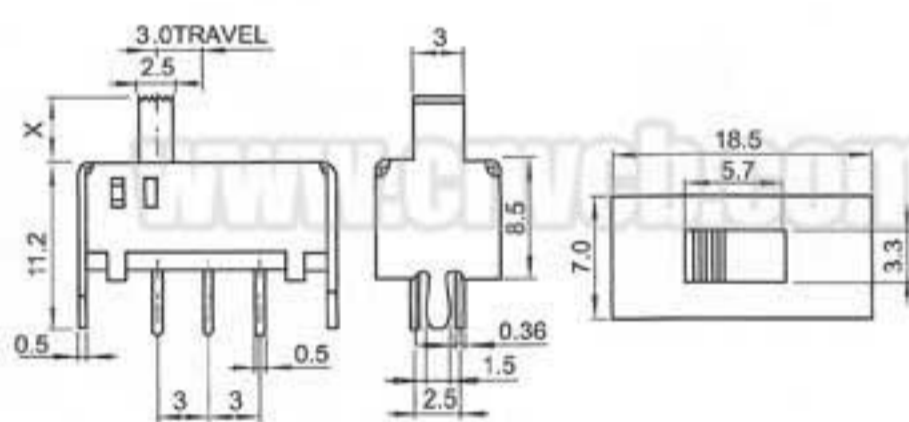
SS-068



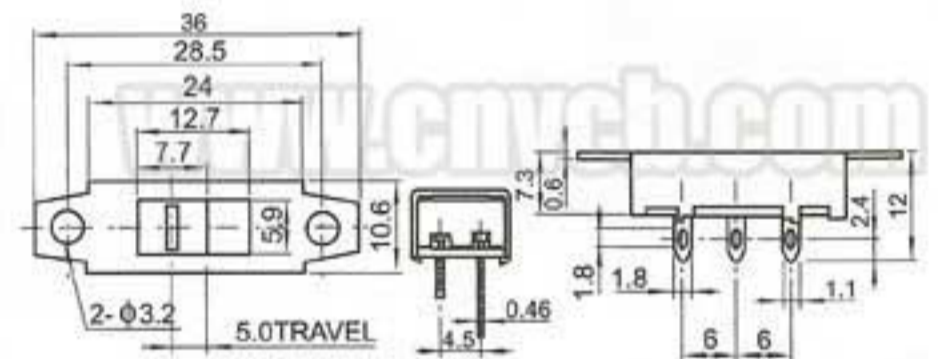
SS-063



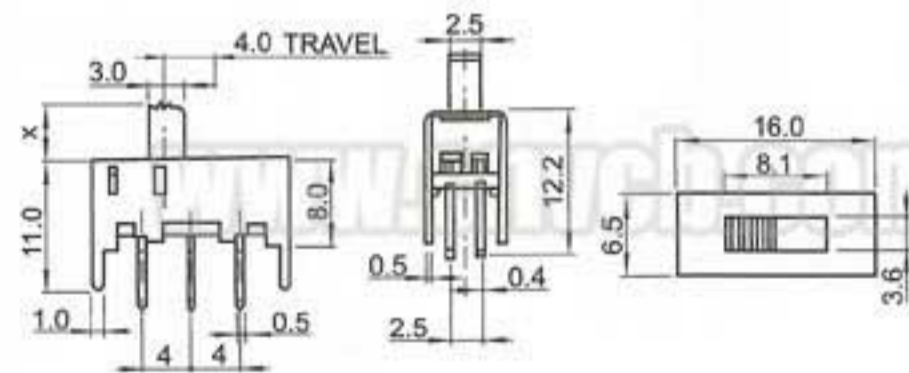
SS-069



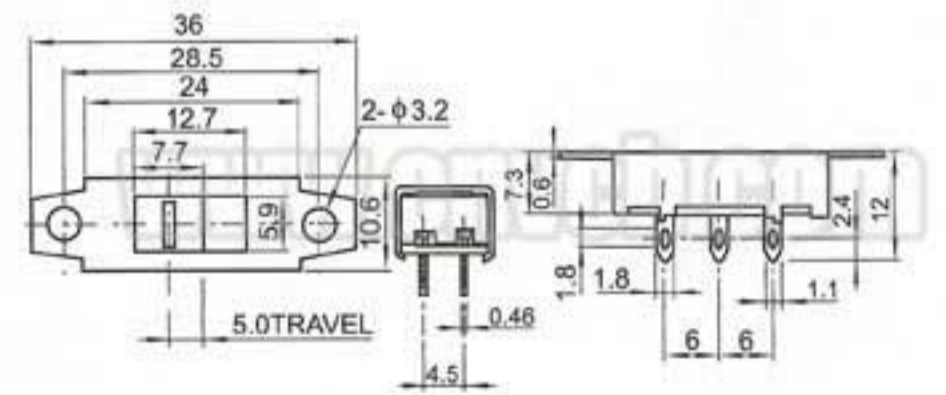
SS-064



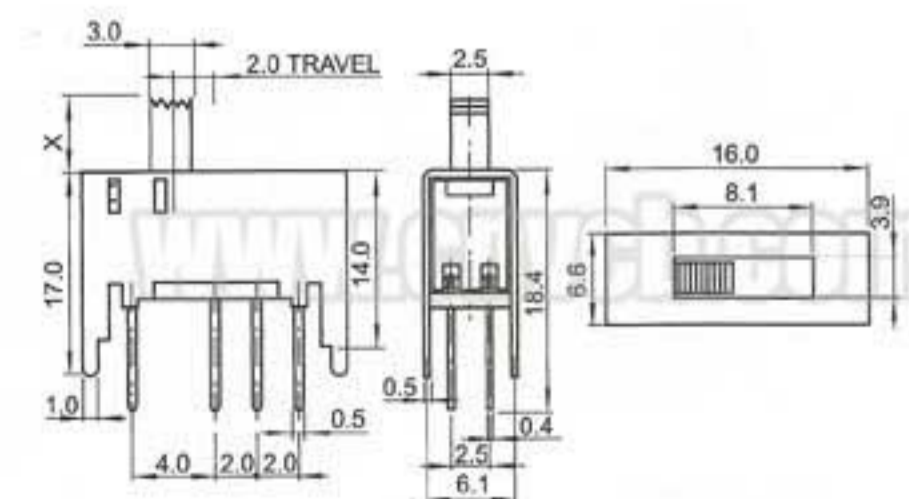
SS-070



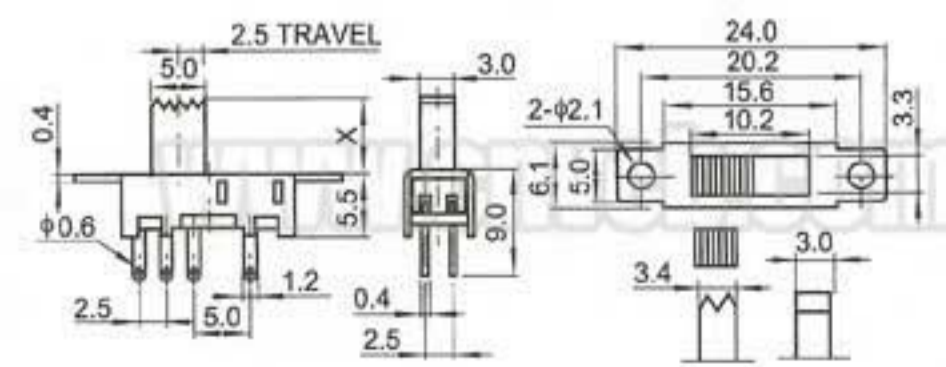
SS-065



SS-071

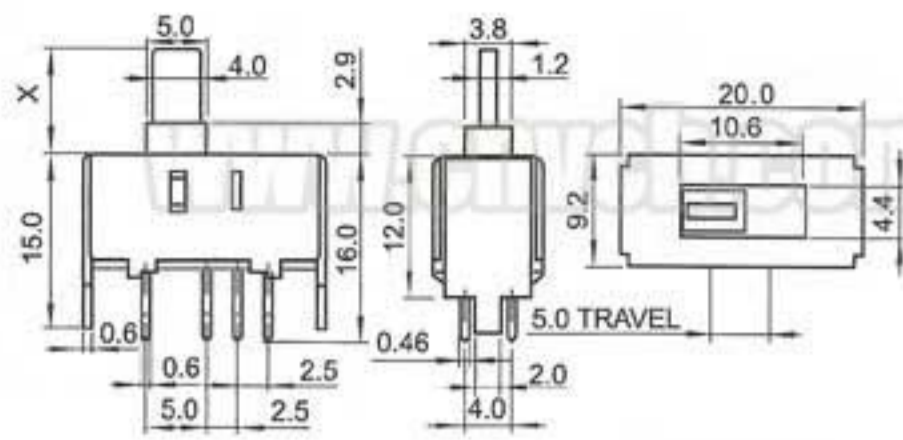


SS-066

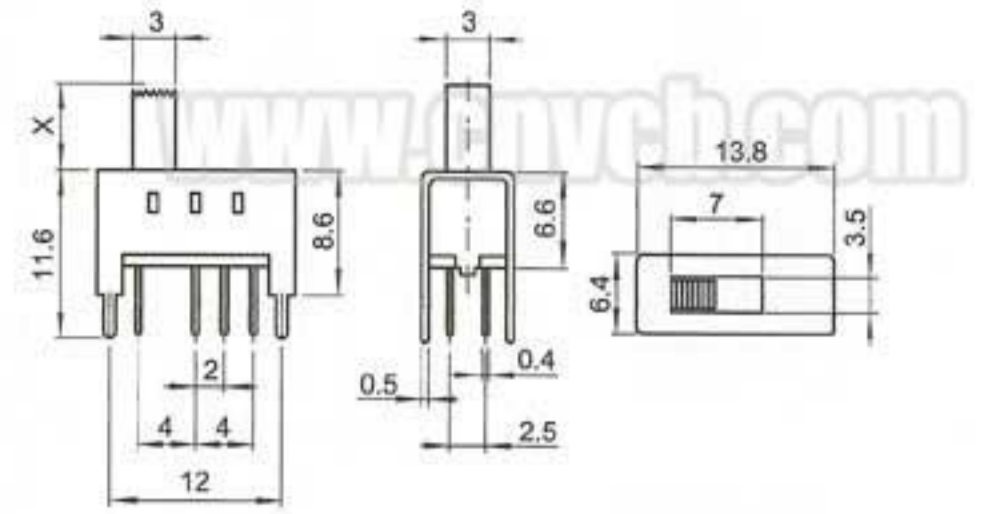


SS-072

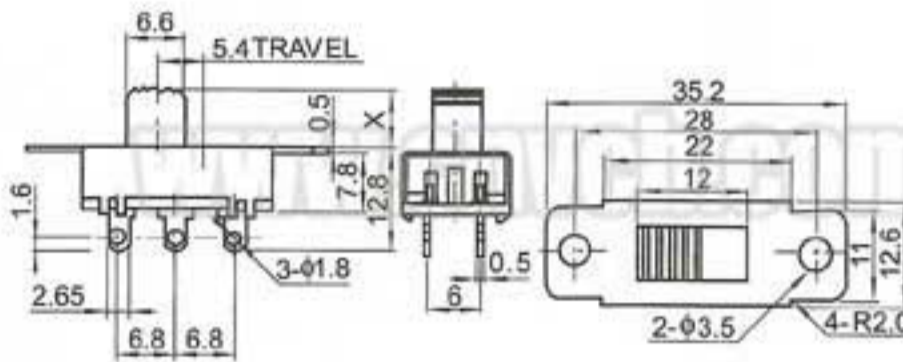




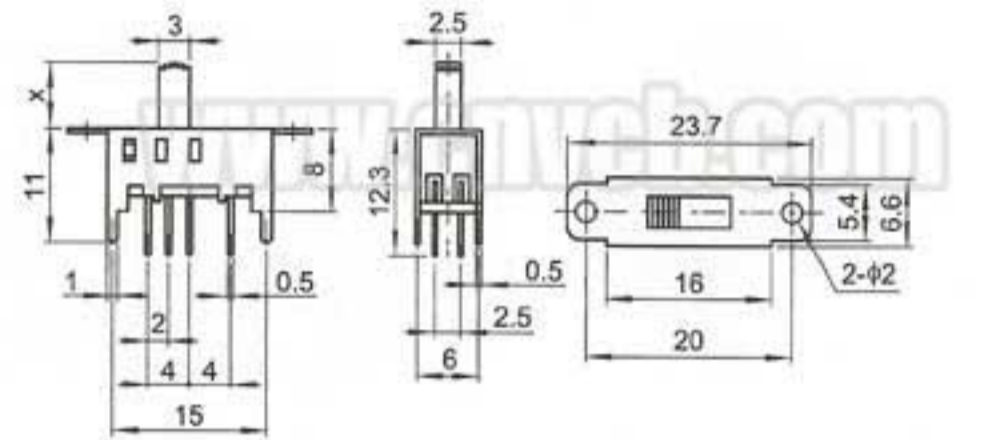
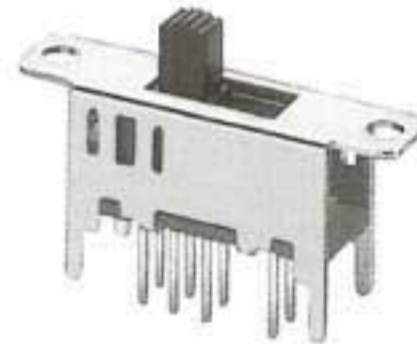
SS-073



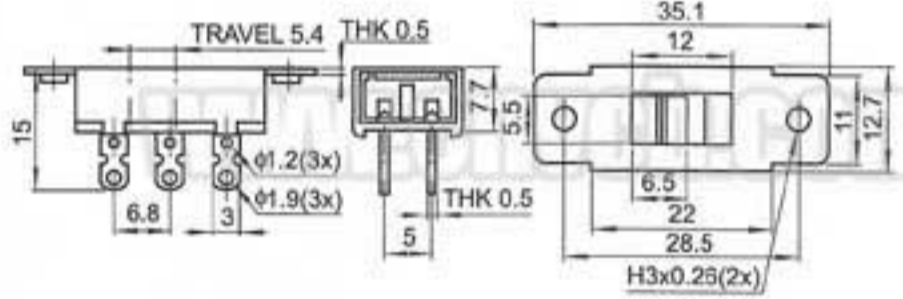
SS-079



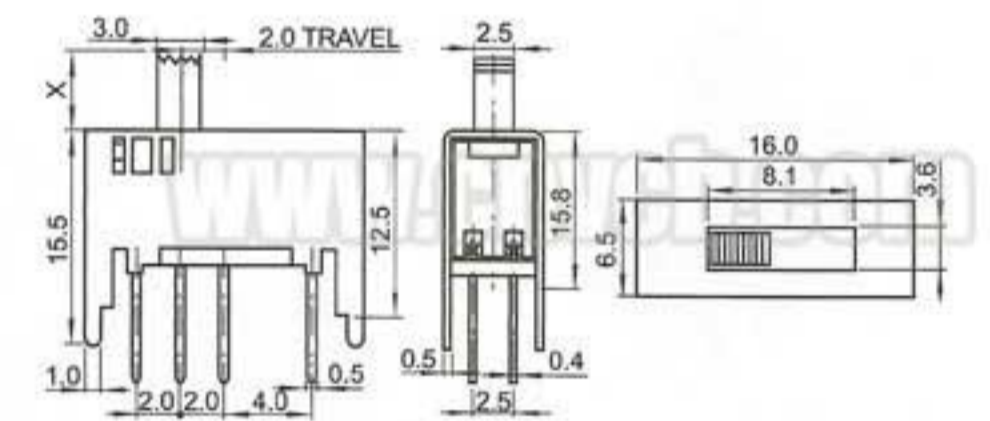
SS-074



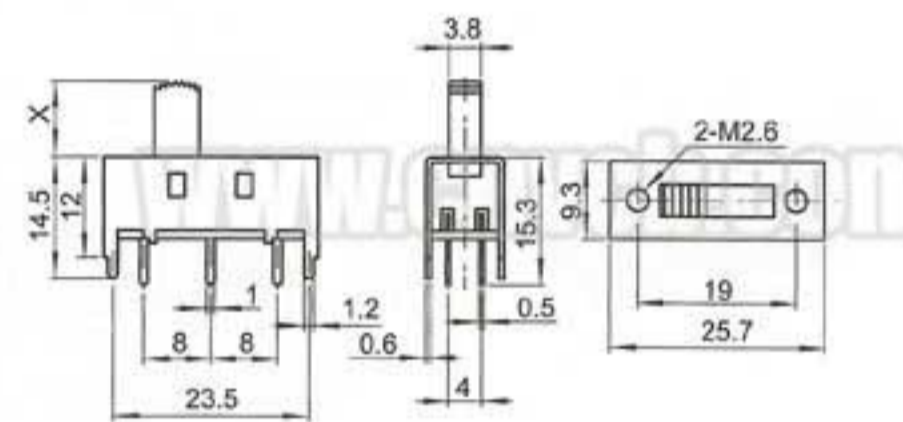
SS-080



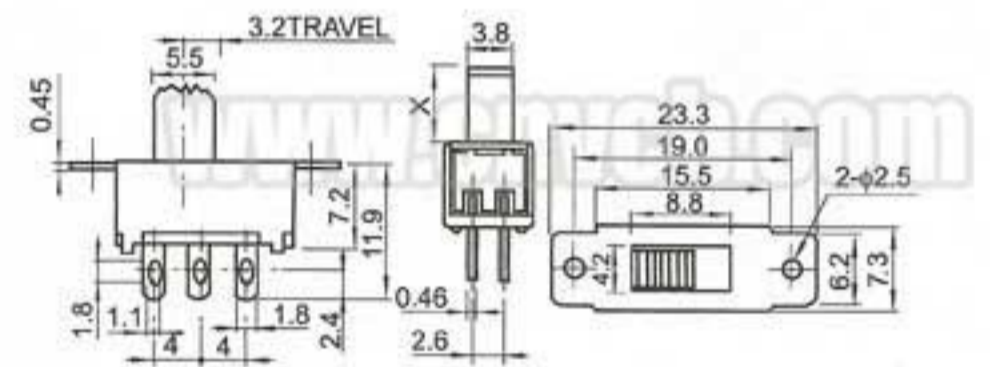
SS-075



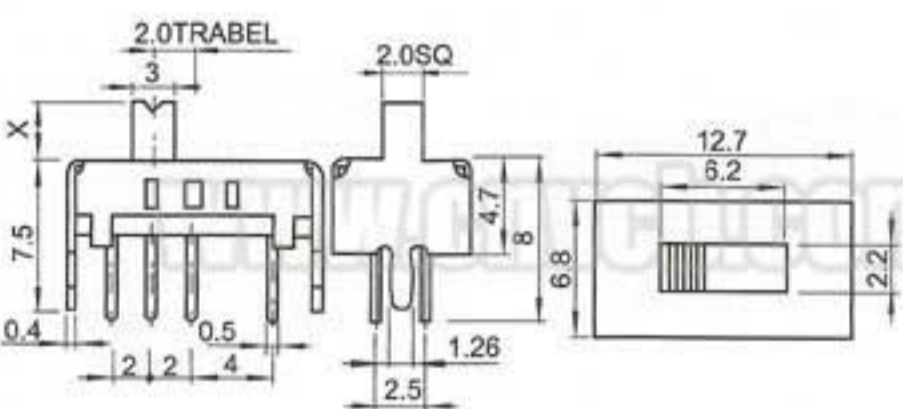
SS-081



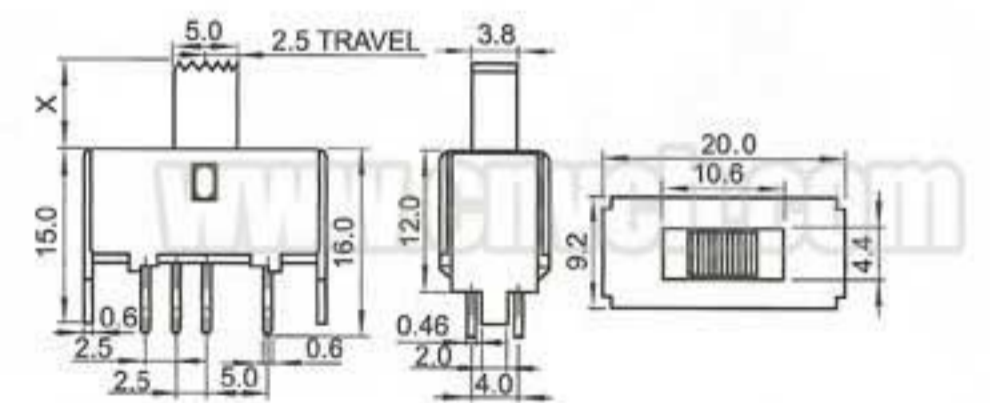
SS-076



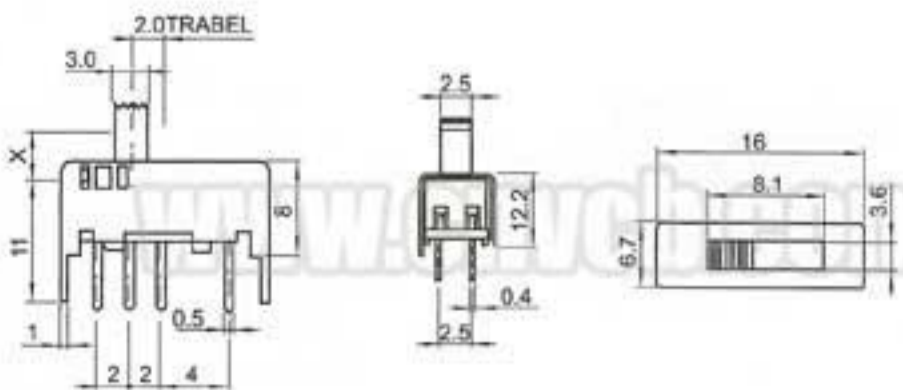
SS-082



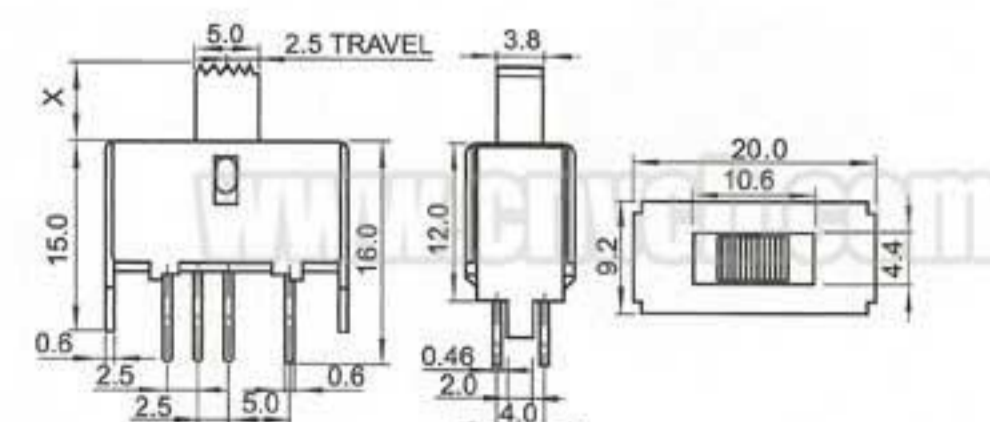
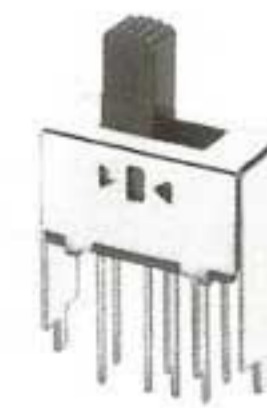
SS-077



SS-083

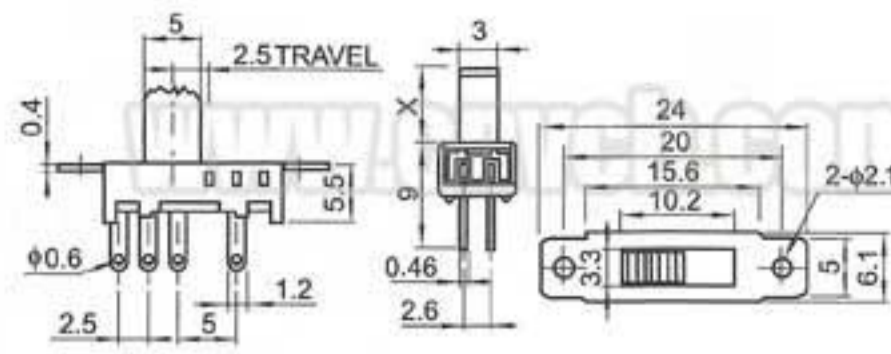


SS-078

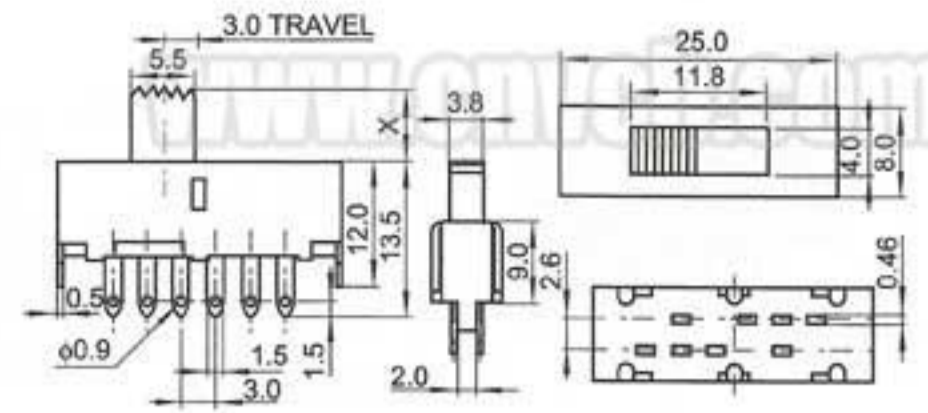
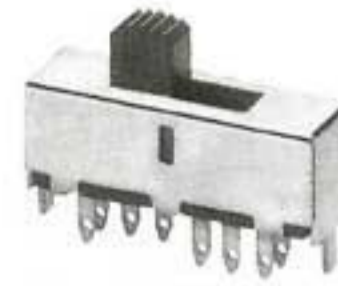


SS-084

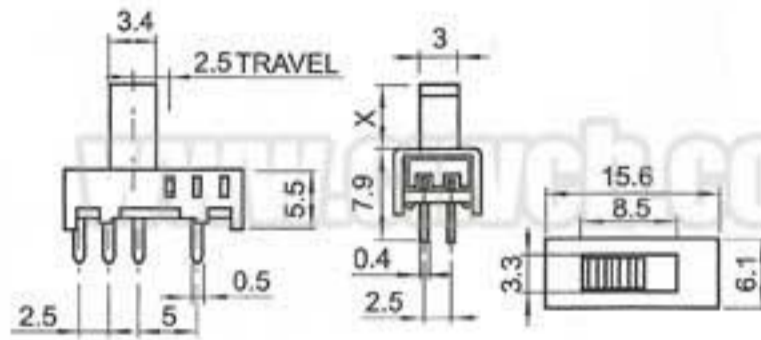
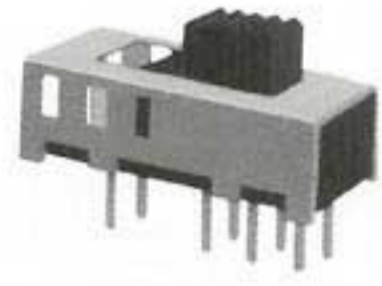




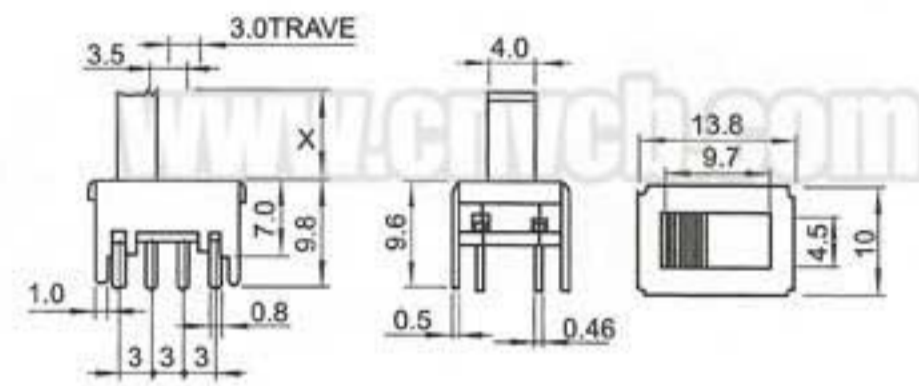
SS-085



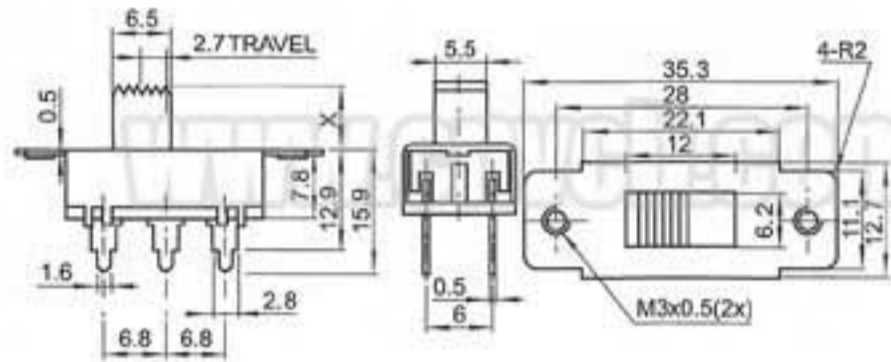
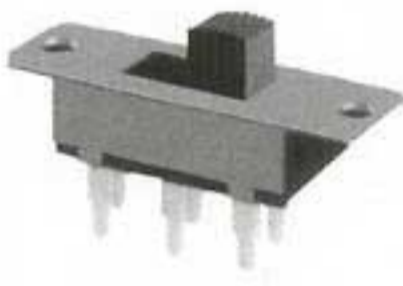
SS-091



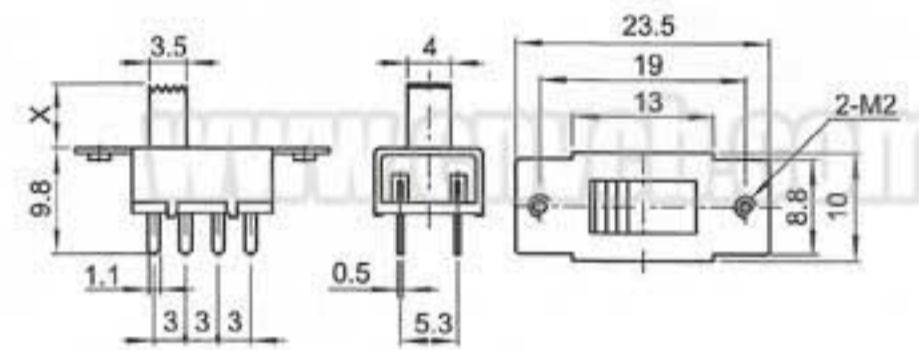
SS-086



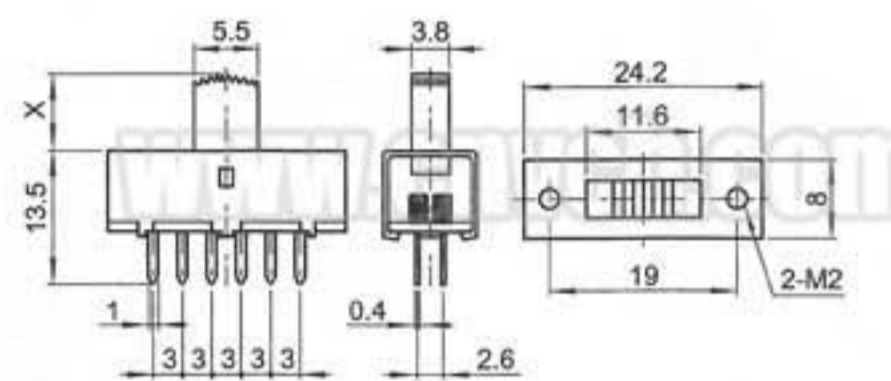
SS-092



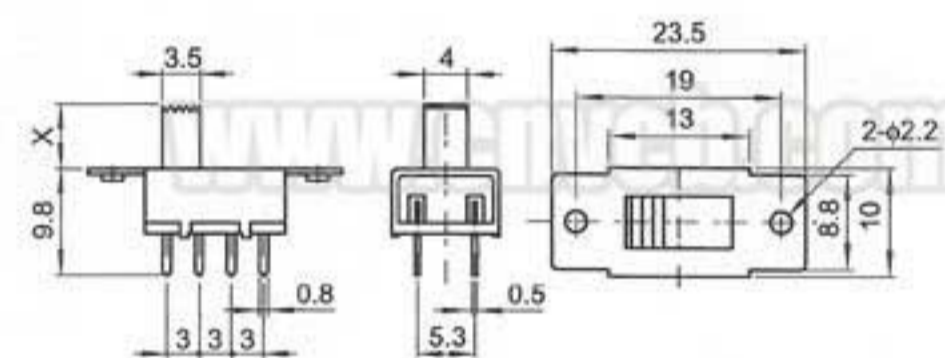
SS-087



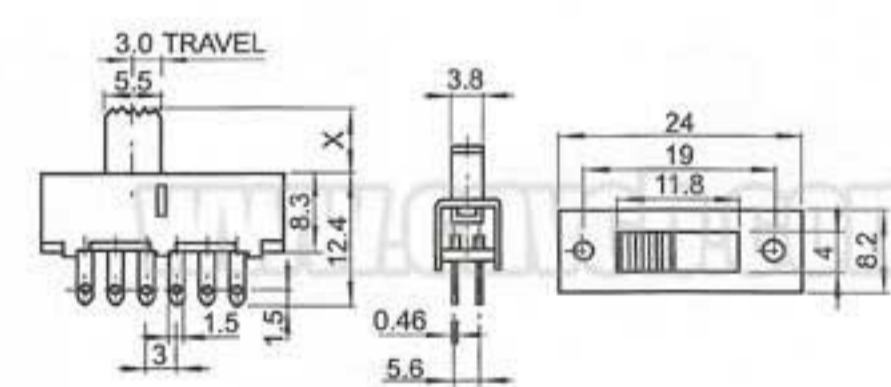
SS-093



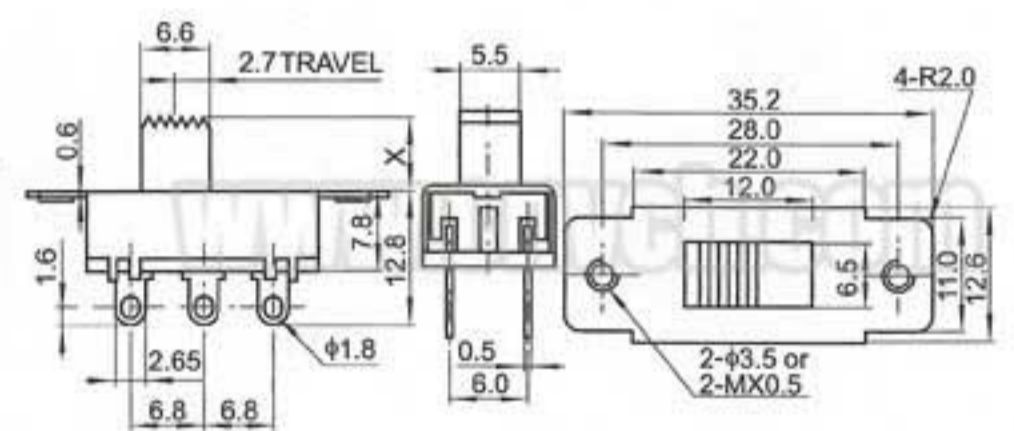
SS-088



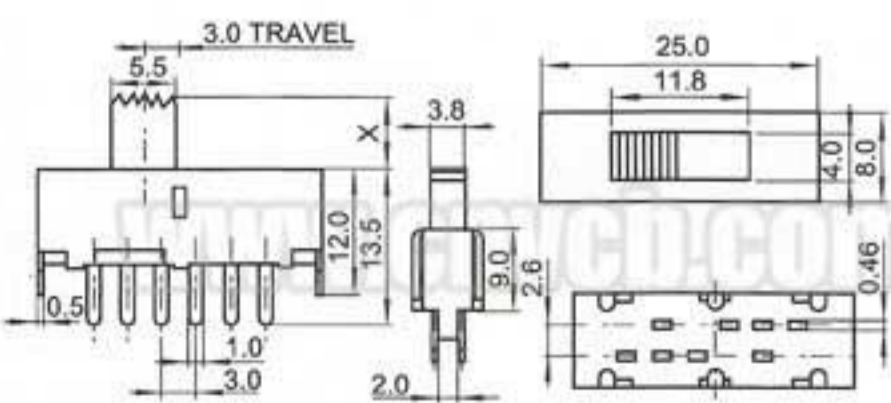
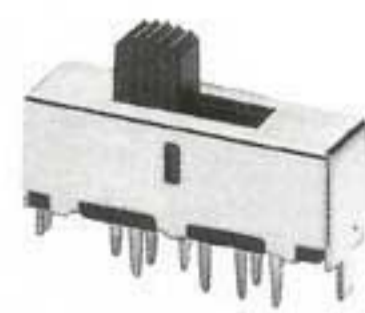
SS-094



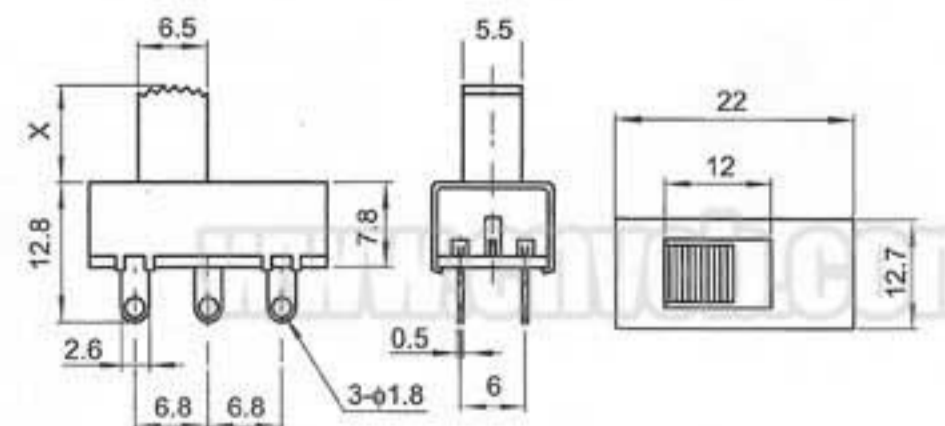
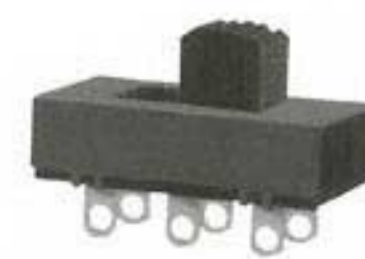
SS-089



SS-095

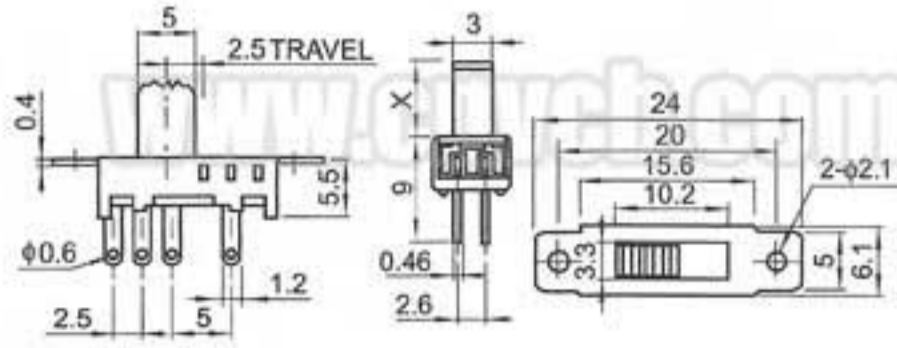


SS-090

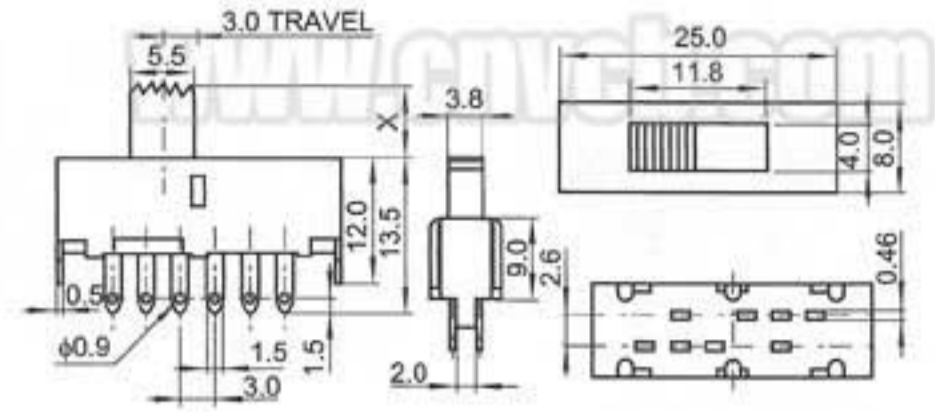
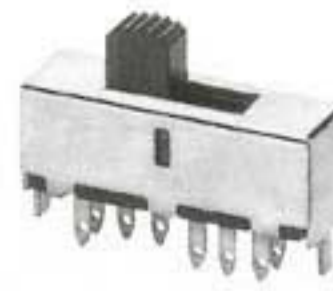


SS-096

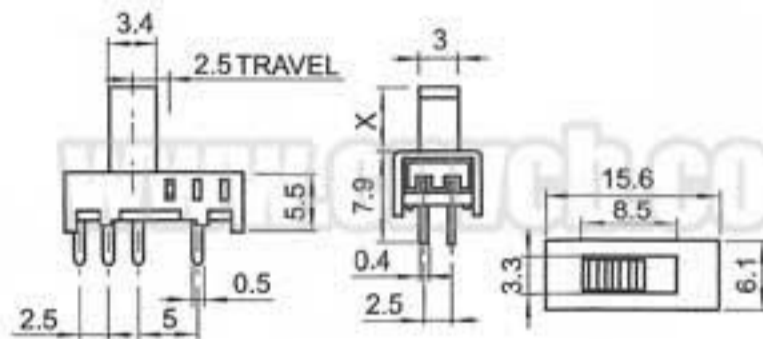
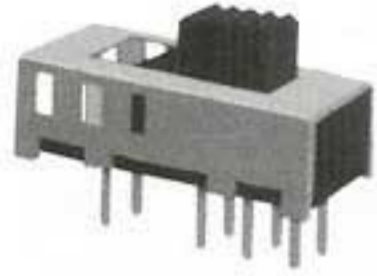




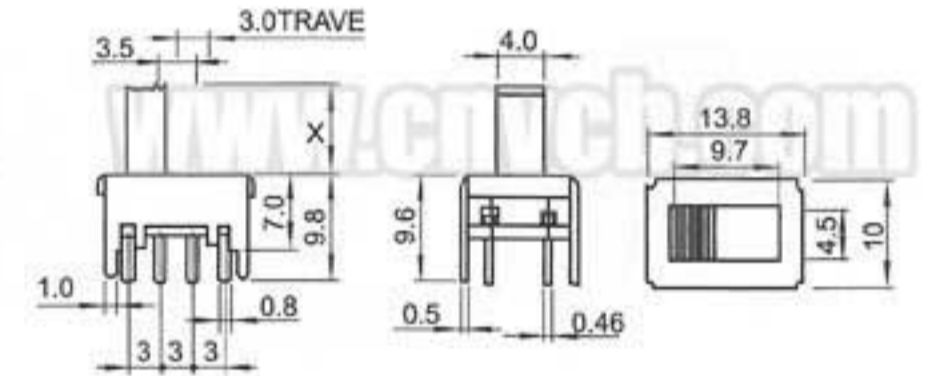
SS-097



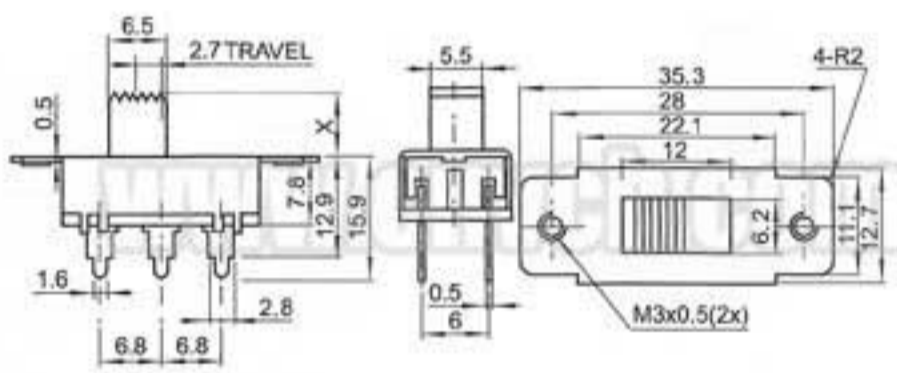
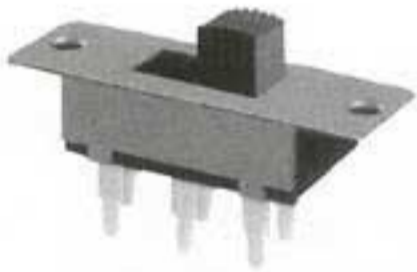
SS-103



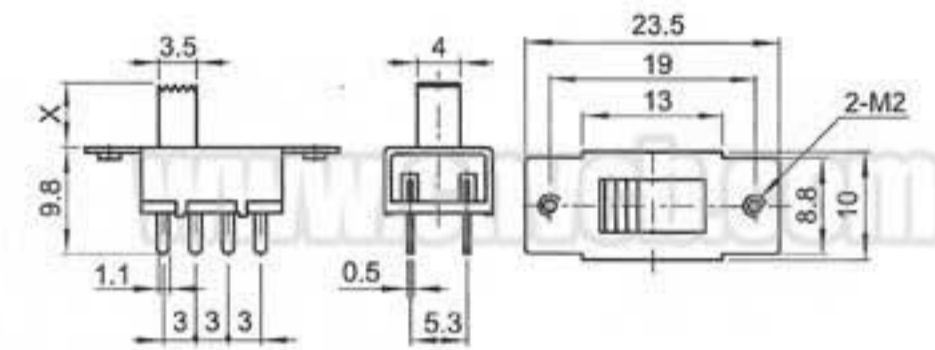
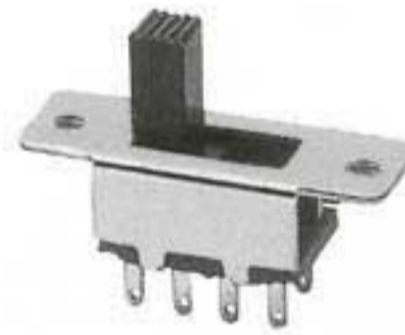
SS-098



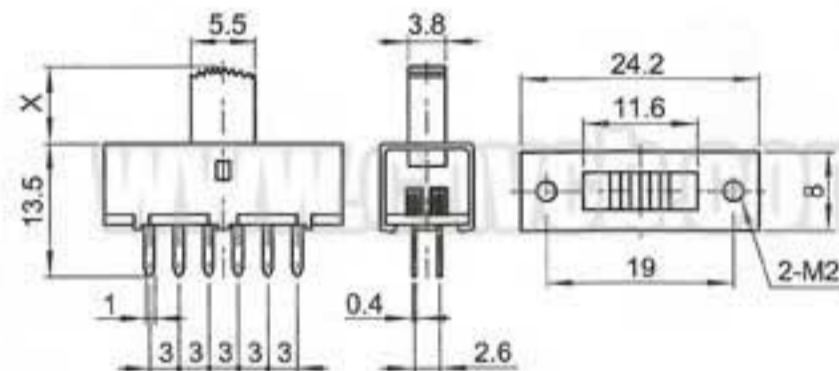
SS-104



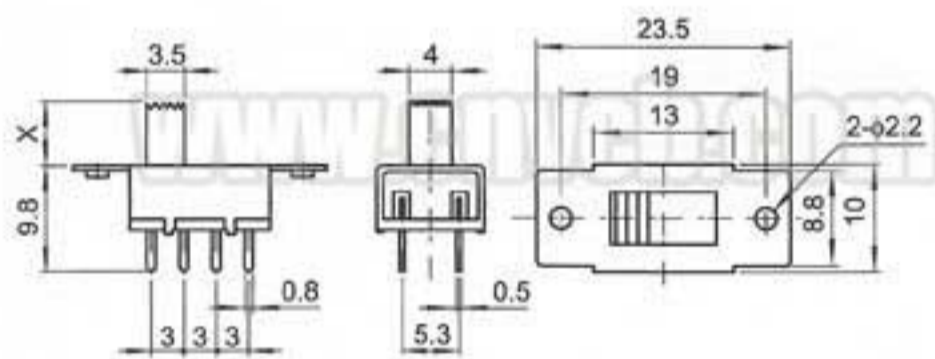
SS-099



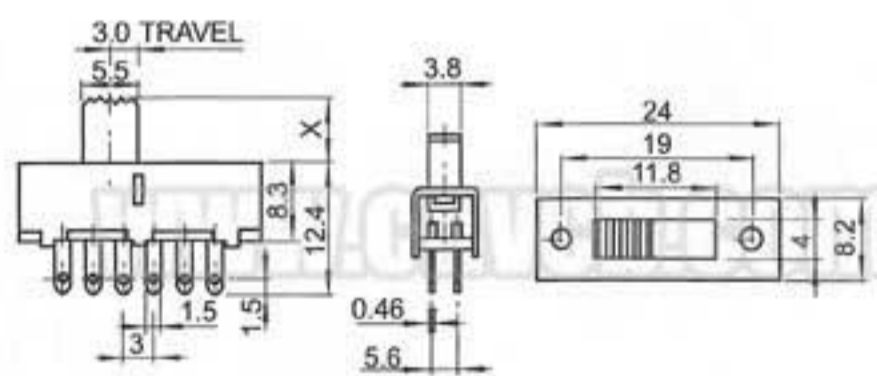
SS-105



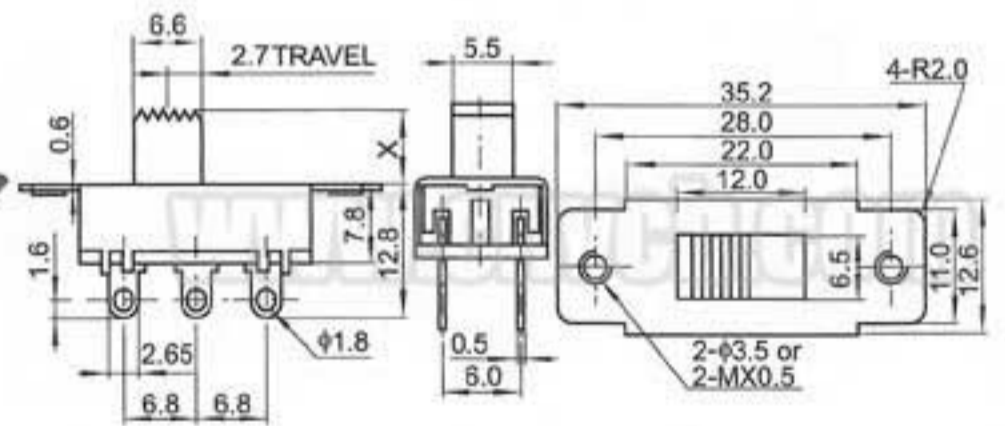
SS-100



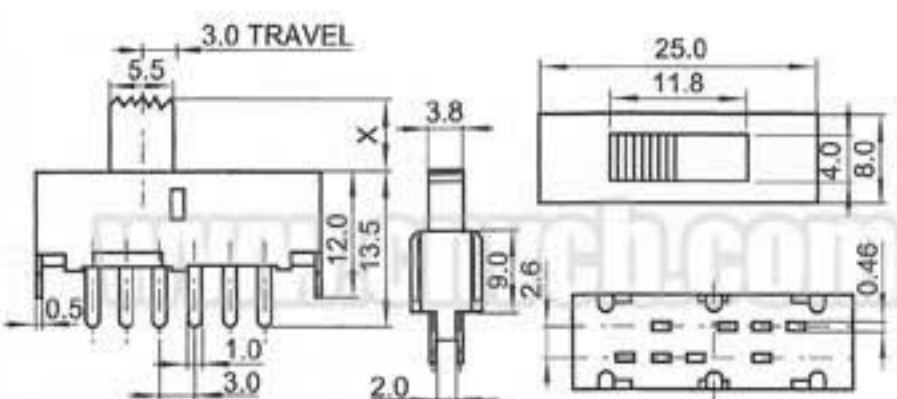
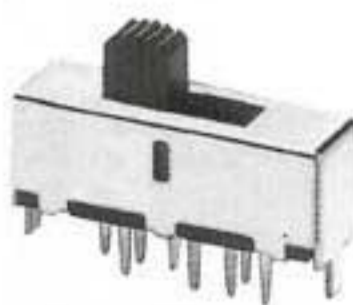
SS-106



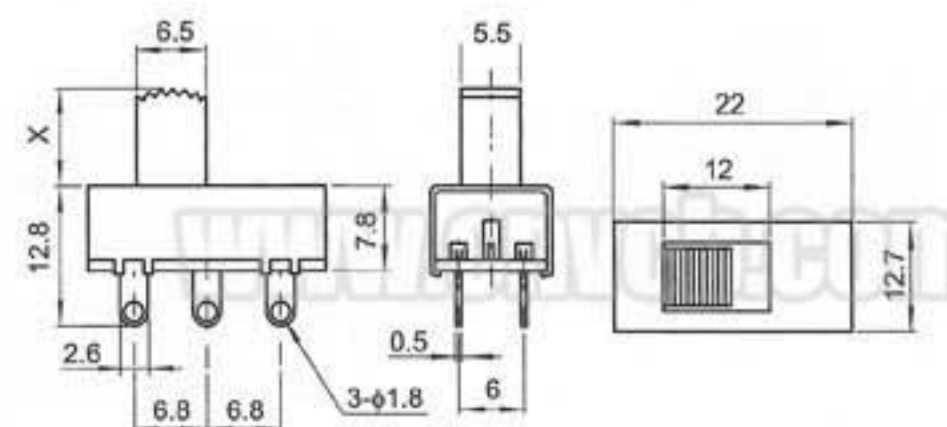
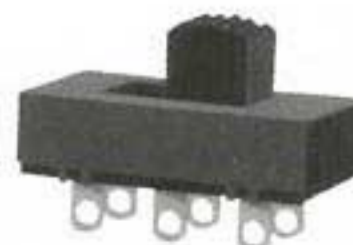
SS-101



SS-107



SS-102

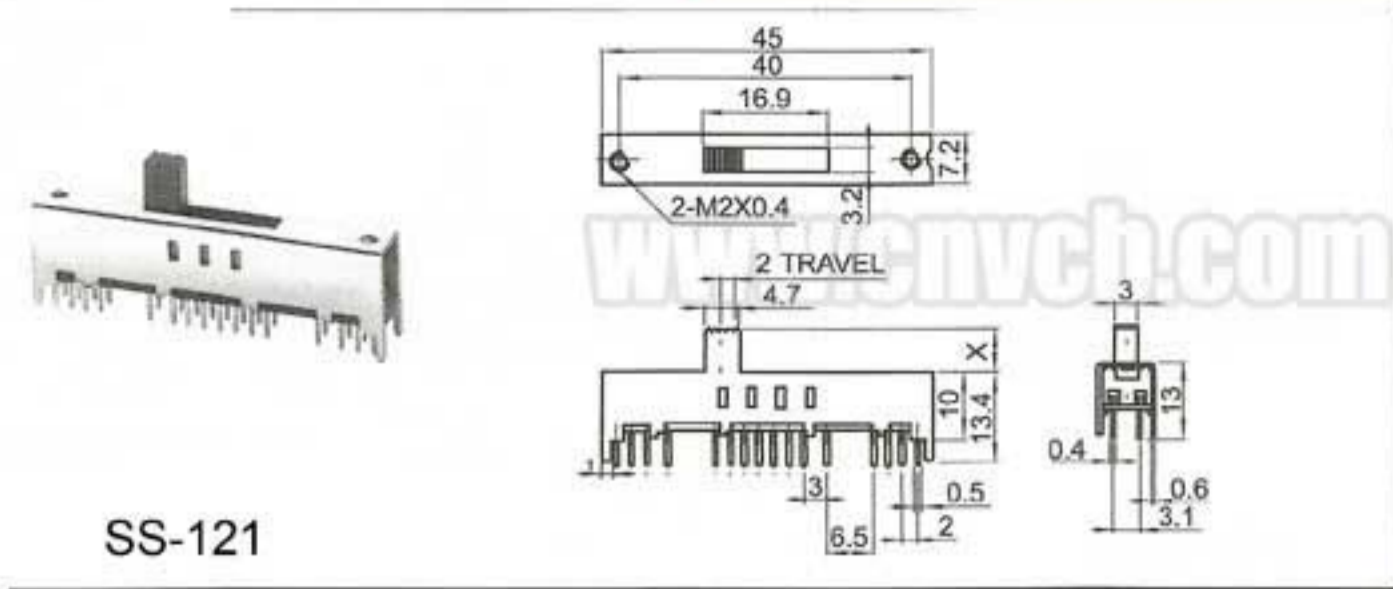


SS-108

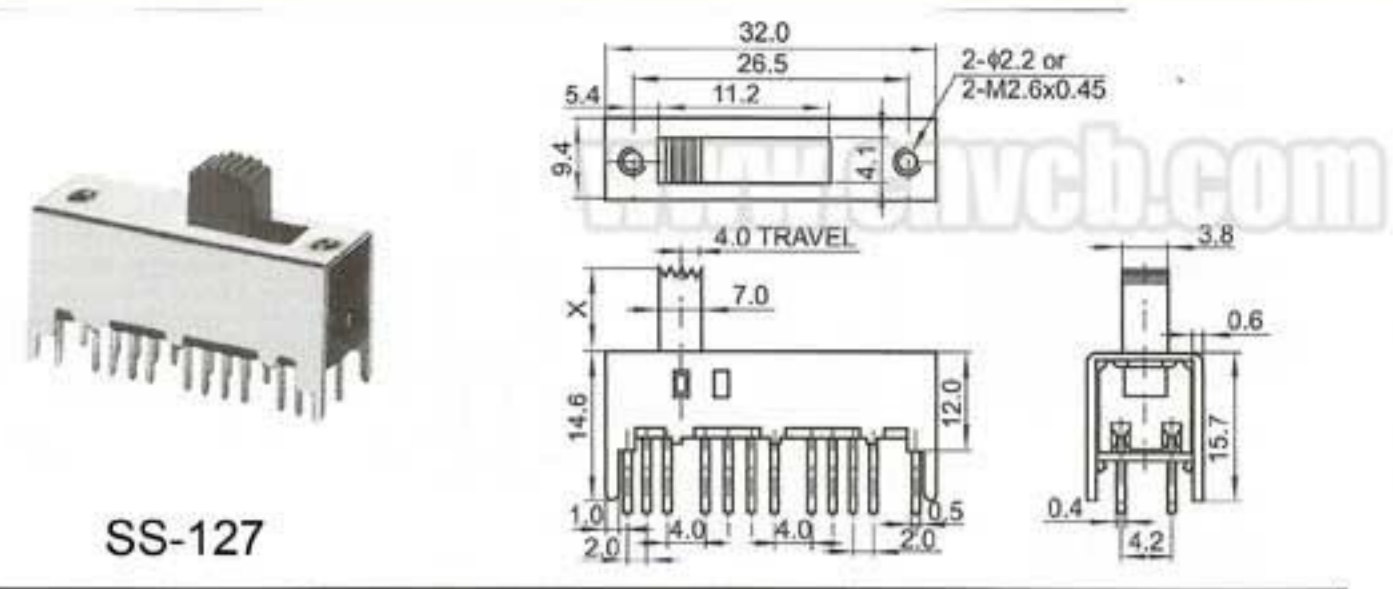




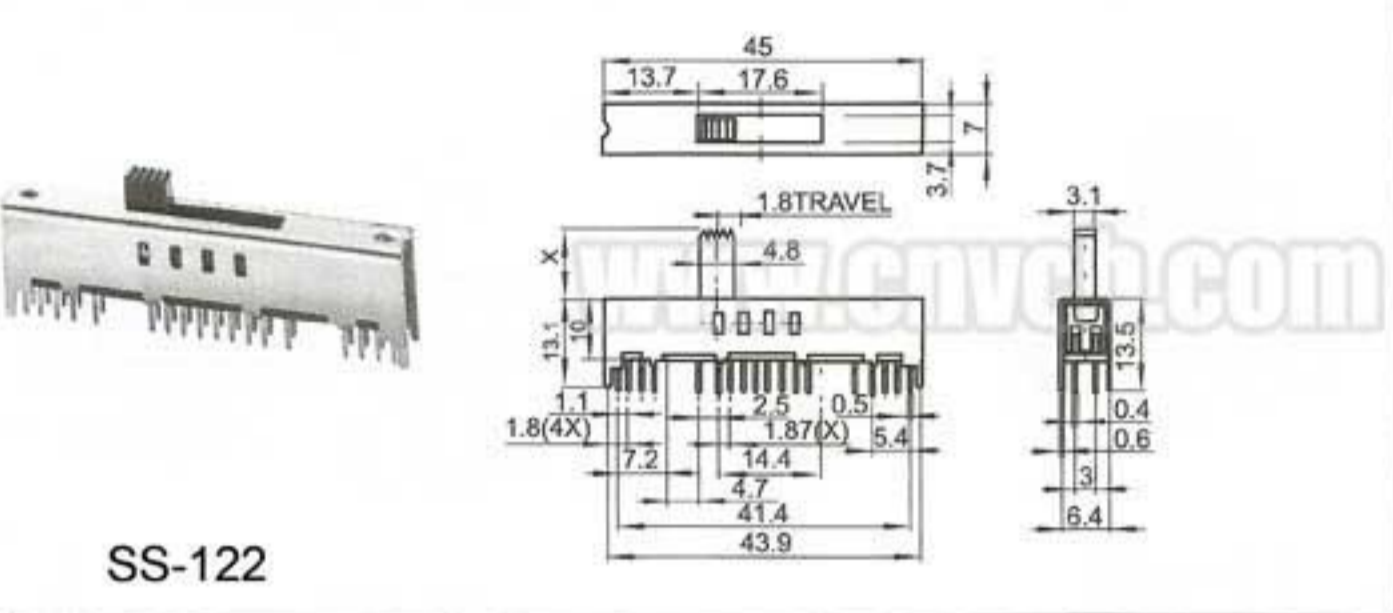




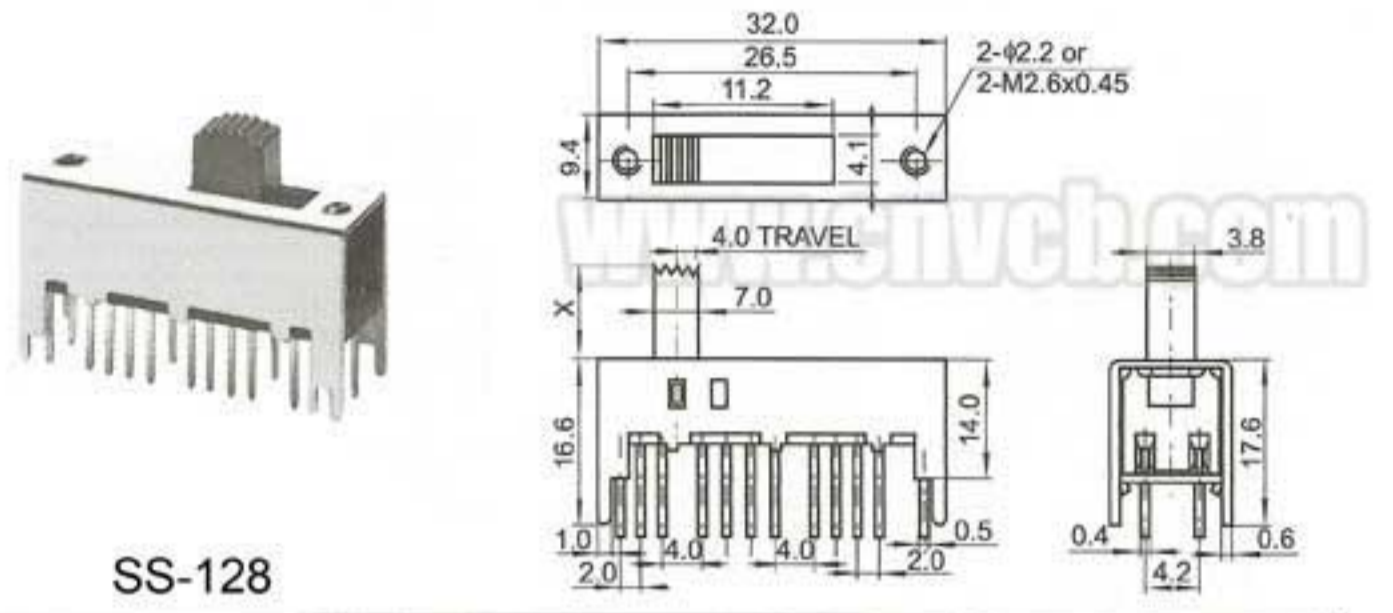
SS-121



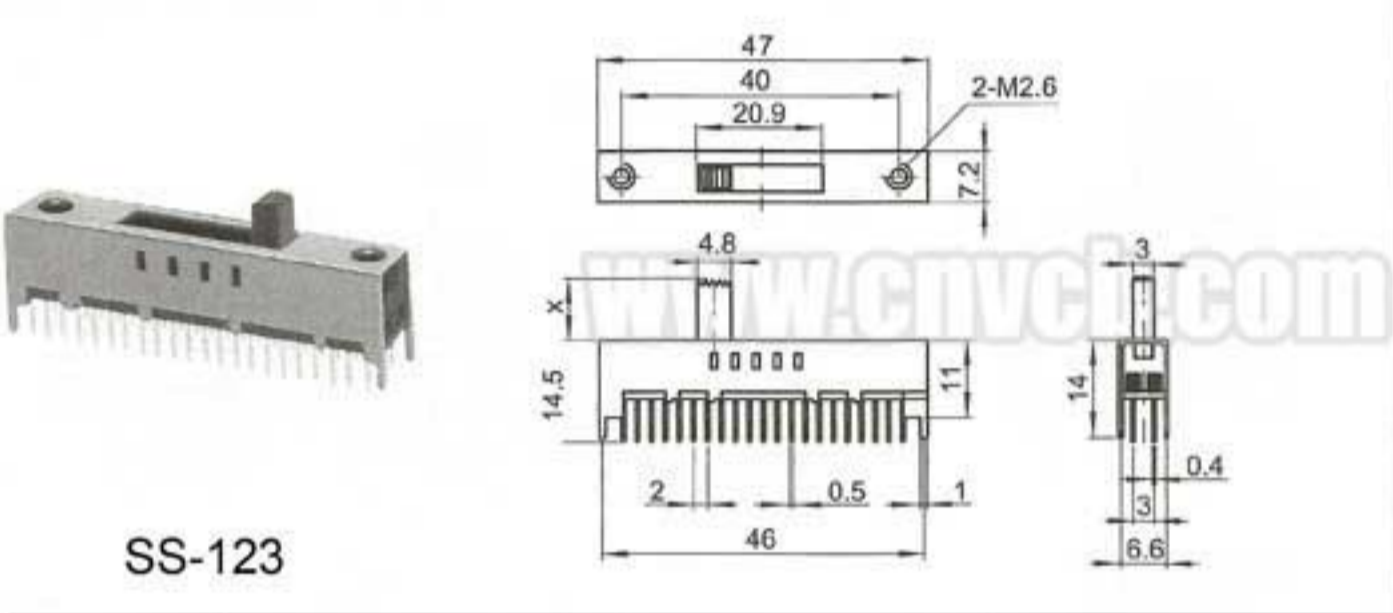
SS-127



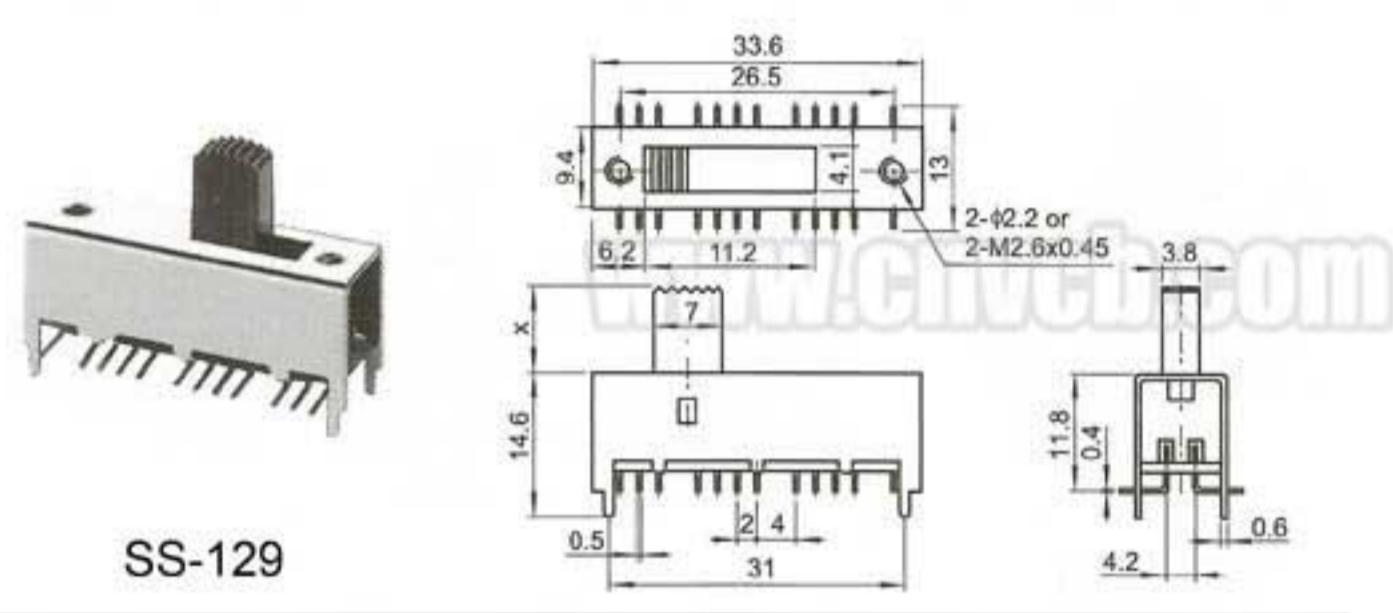
SS-122



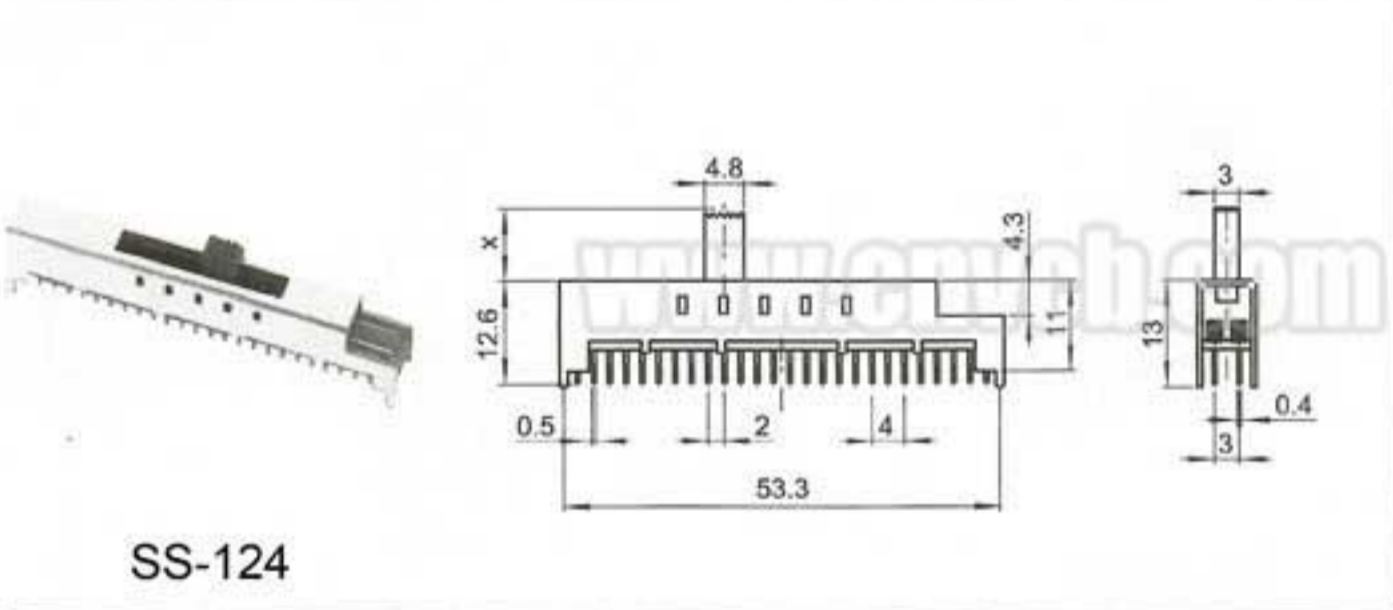
SS-128



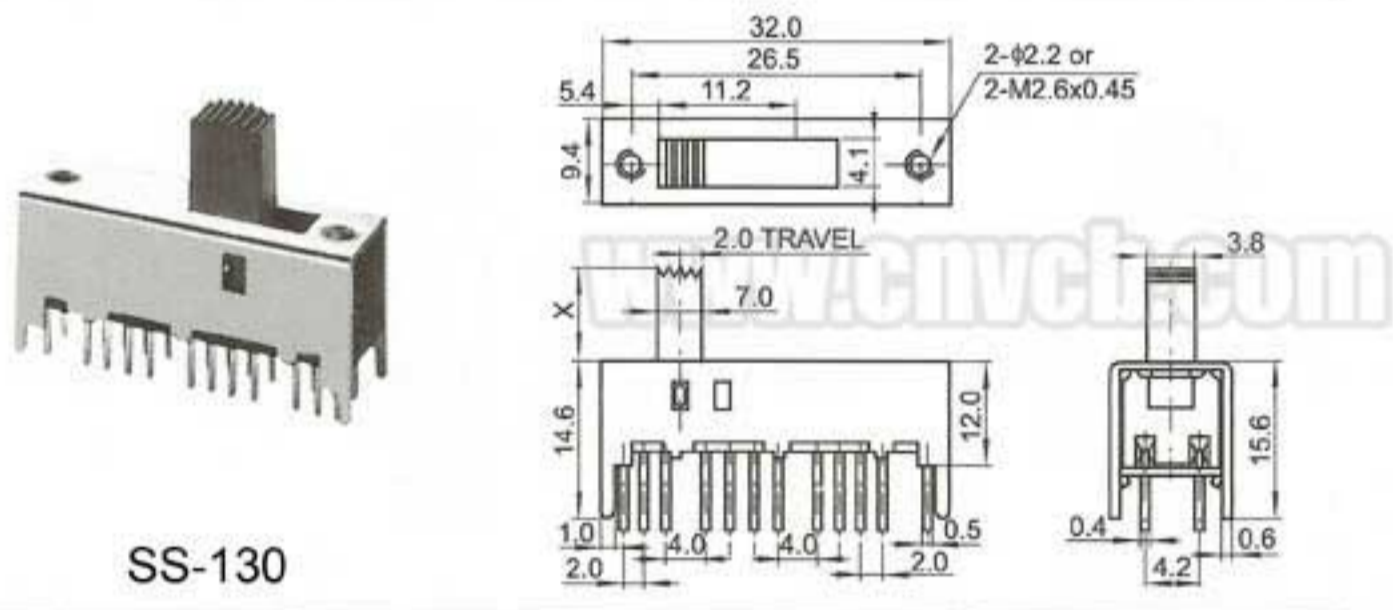
SS-123



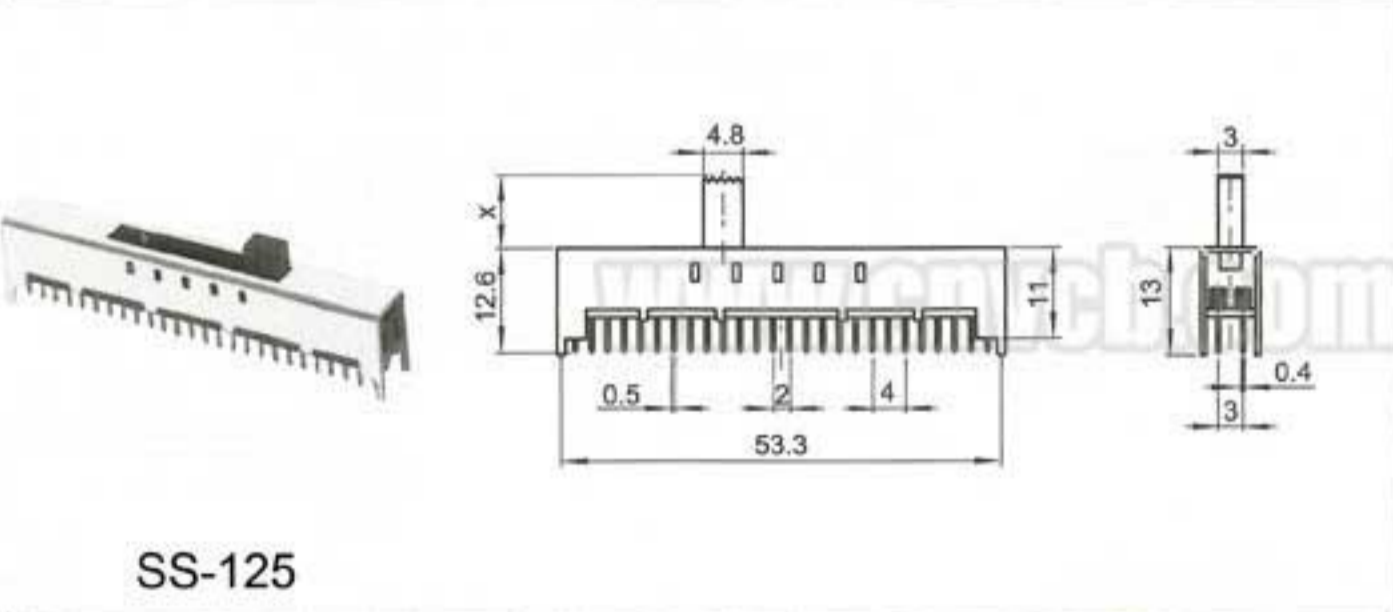
SS-129



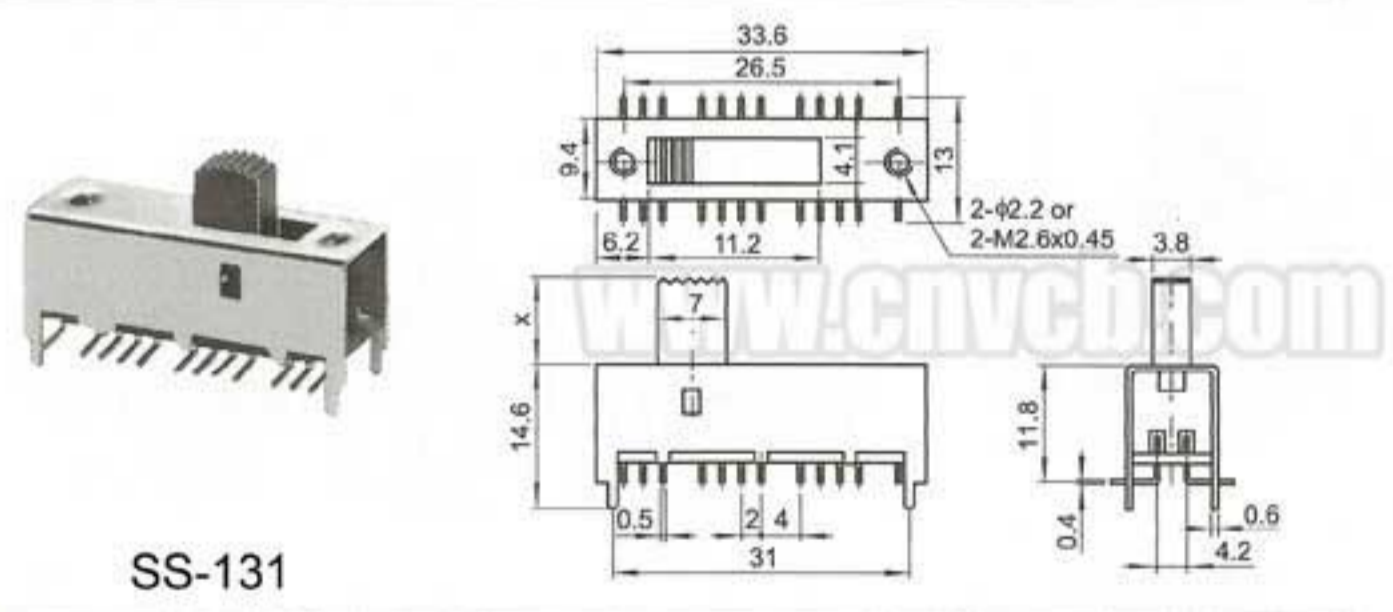
SS-124



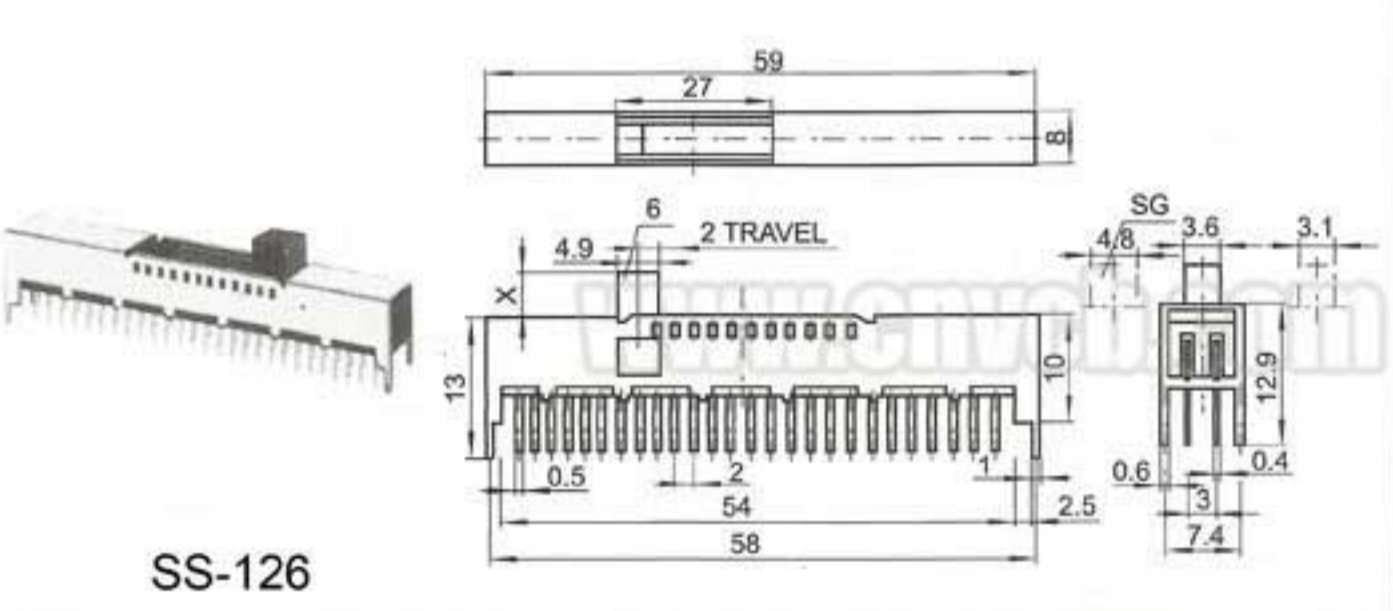
SS-130



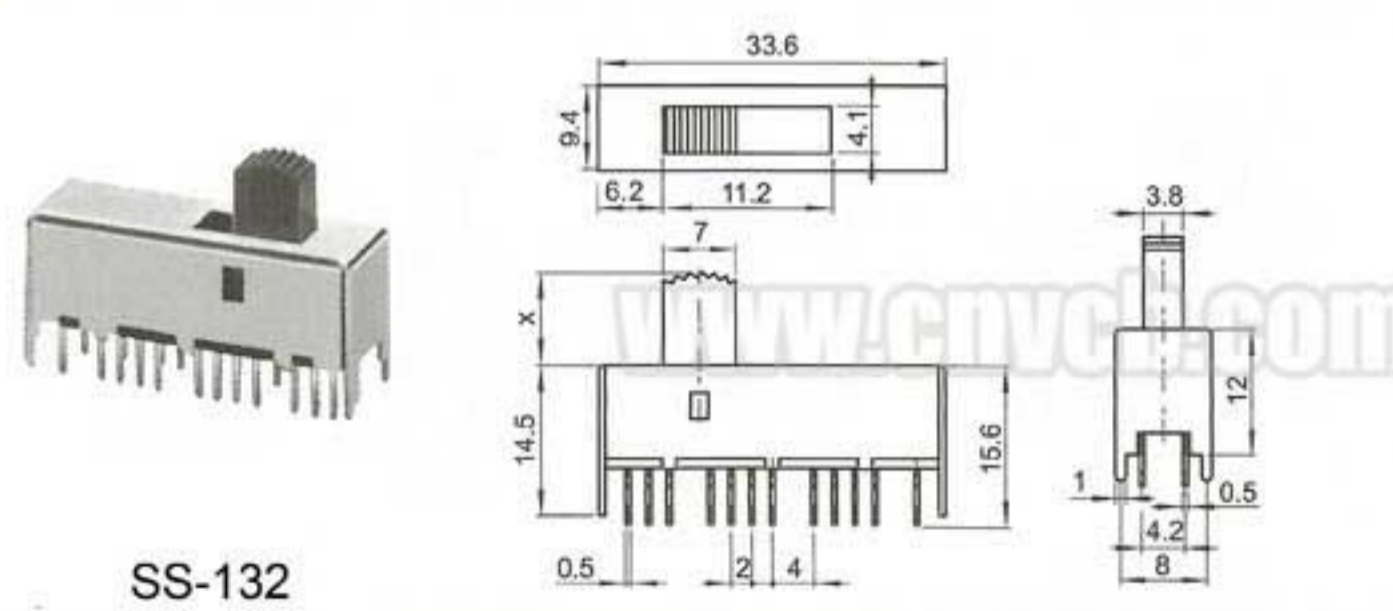
SS-125



SS-131

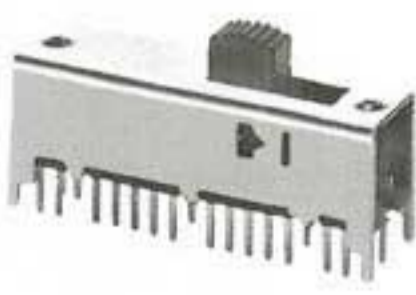
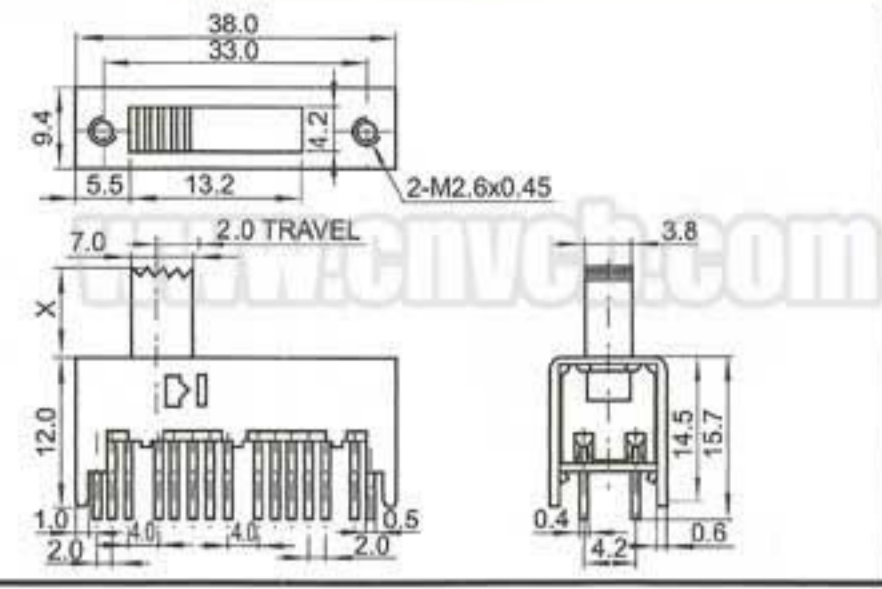


SS-126




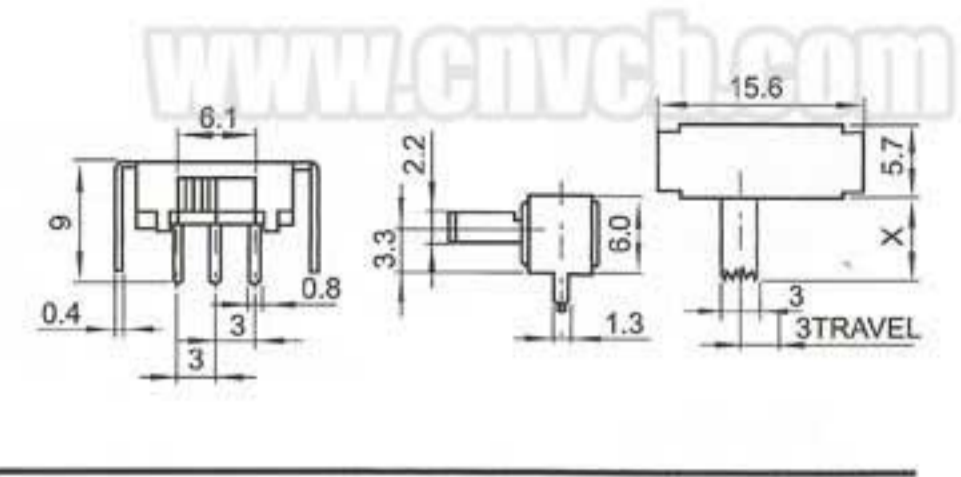
SS-132



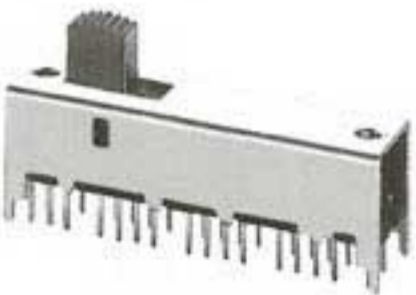
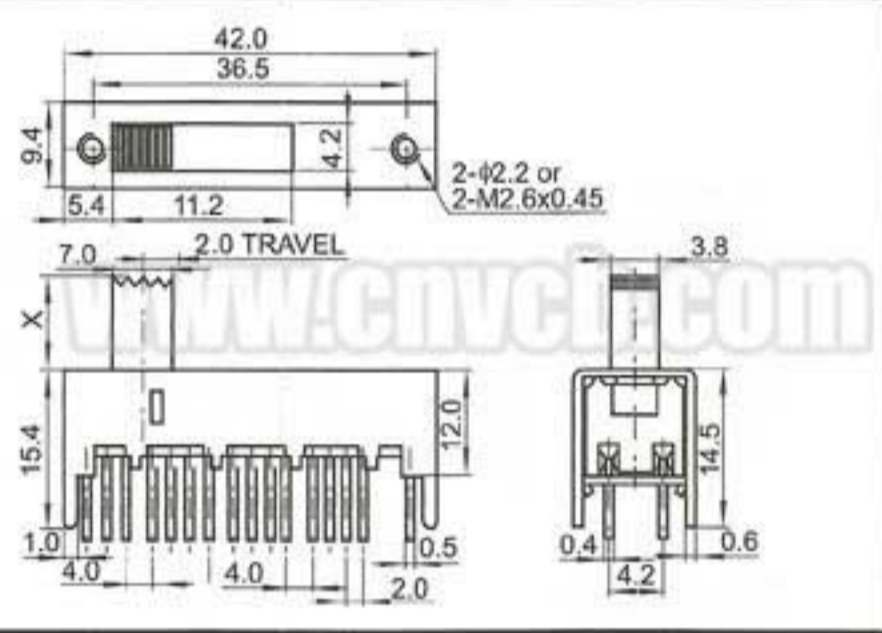
SS-133

Dimensions: 38.0, 33.0, 9.4, 5.5, 13.2, 4.2, 2-M2.6x0.45, 7.0, 2.0 TRAVEL, 3.8, 12.0, 1.0, 4.0, 4.0, 2.0, 0.5, 0.4, 4.2, 0.6


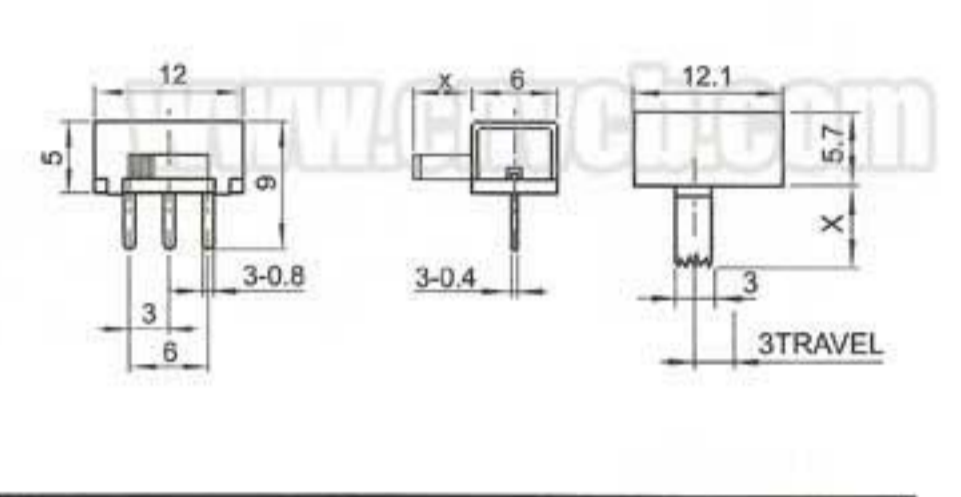
SS-139

Dimensions: 6.1, 9, 0.4, 3, 3, 0.8, 3.3, 2.2, 6.0, 15.6, 5.7, 1.3, 3, 3 TRAVEL, X

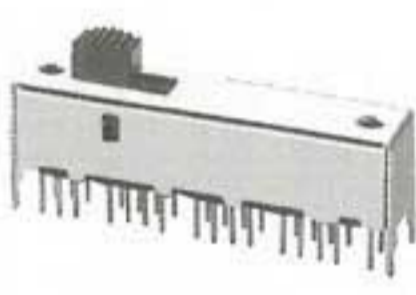
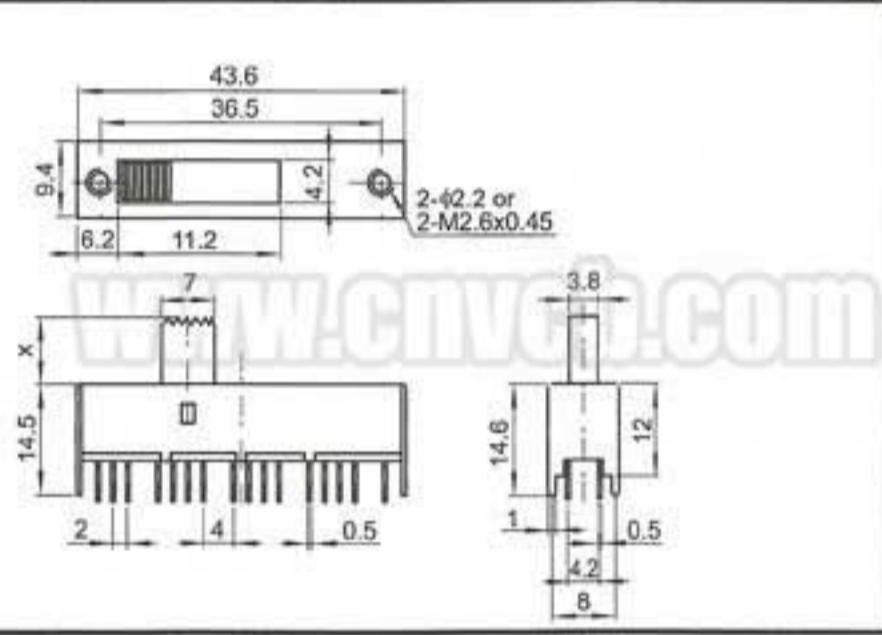
SS-134

Dimensions: 42.0, 36.5, 9.4, 5.4, 11.2, 4.2, 2-φ2.2 or 2-M2.6x0.45, 7.0, 2.0 TRAVEL, 3.8, 15.4, 12.0, 1.0, 4.0, 4.0, 2.0, 0.5, 0.4, 4.2, 0.6

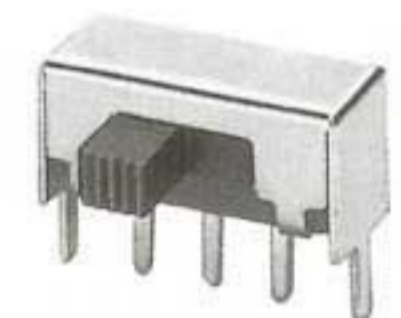
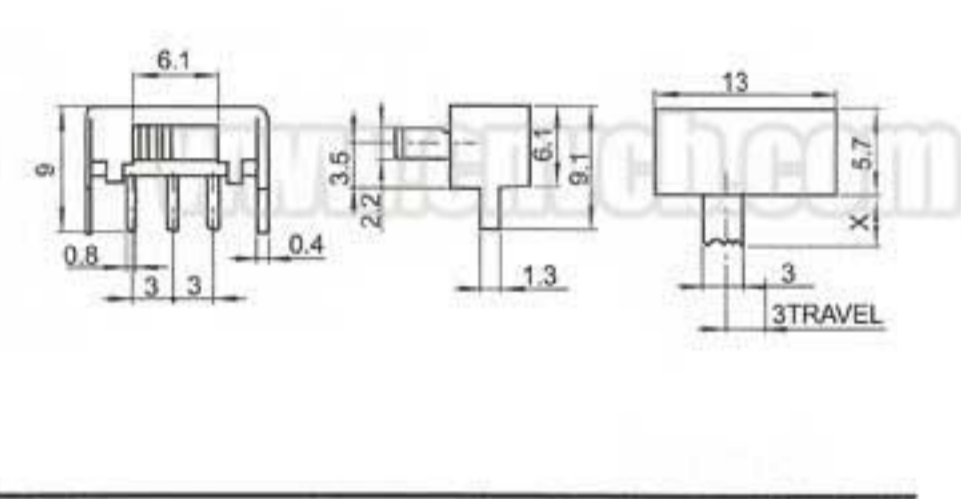
SS-140

Dimensions: 12, 5, 9, 3-0.8, 3, 6, 3-0.4, 12.1, 5.7, X, 3, 3 TRAVEL


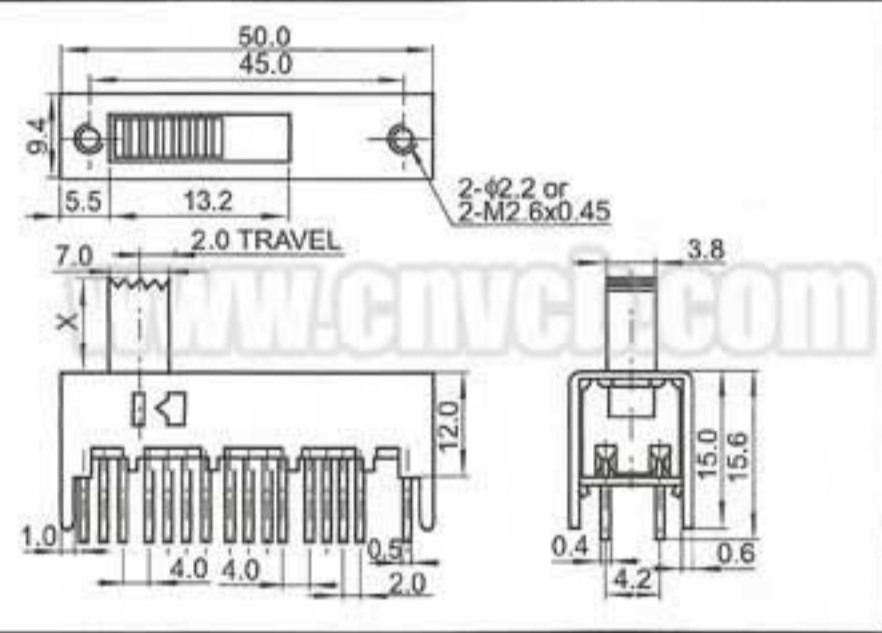
SS-135

Dimensions: 43.6, 36.5, 9.4, 6.2, 11.2, 4.2, 2-φ2.2 or 2-M2.6x0.45, 7, 3.8, 14.5, 14.6, 12, 1, 0.5, 4.2, 8


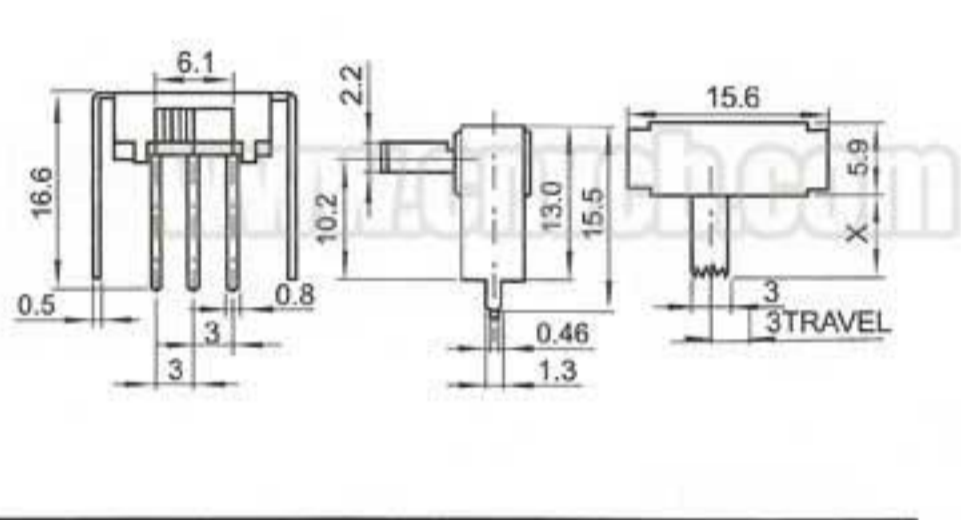
SS-141

Dimensions: 6.1, 9, 0.8, 3, 3, 0.4, 3.5, 2.2, 6.1, 9.1, 13, 5.7, X, 3, 3 TRAVEL


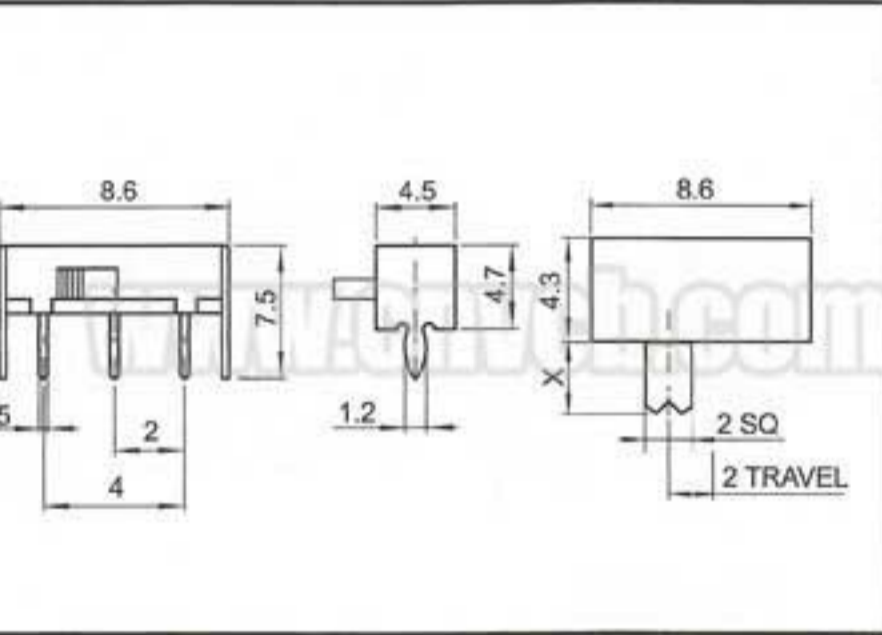
SS-136

Dimensions: 50.0, 45.0, 9.4, 5.5, 13.2, 4.2, 2-φ2.2 or 2-M2.6x0.45, 7.0, 2.0 TRAVEL, 3.8, 12.0, 1.0, 4.0, 4.0, 2.0, 0.5, 0.4, 4.2, 0.6


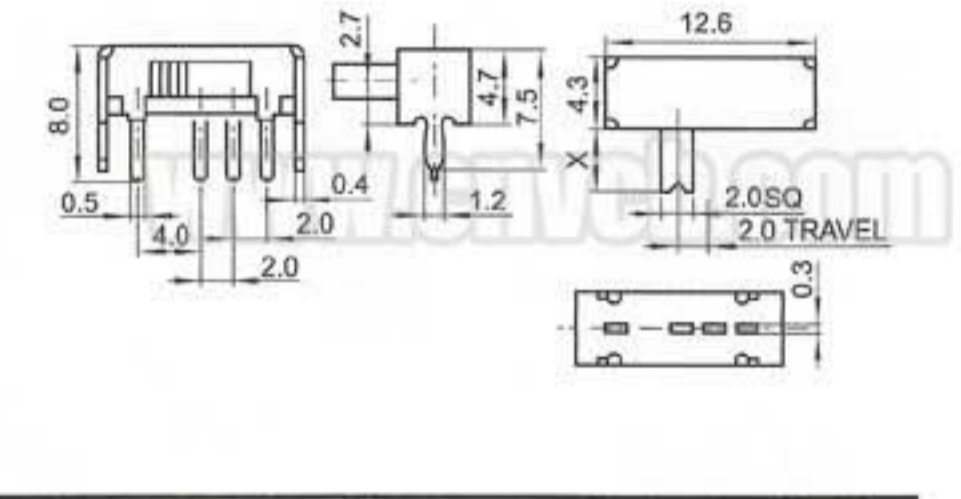
SS-142

Dimensions: 6.1, 16.6, 0.5, 3, 3, 0.8, 2.2, 10.2, 13.0, 15.5, 15.6, 5.9, X, 3, 3 TRAVEL, 0.46, 1.3


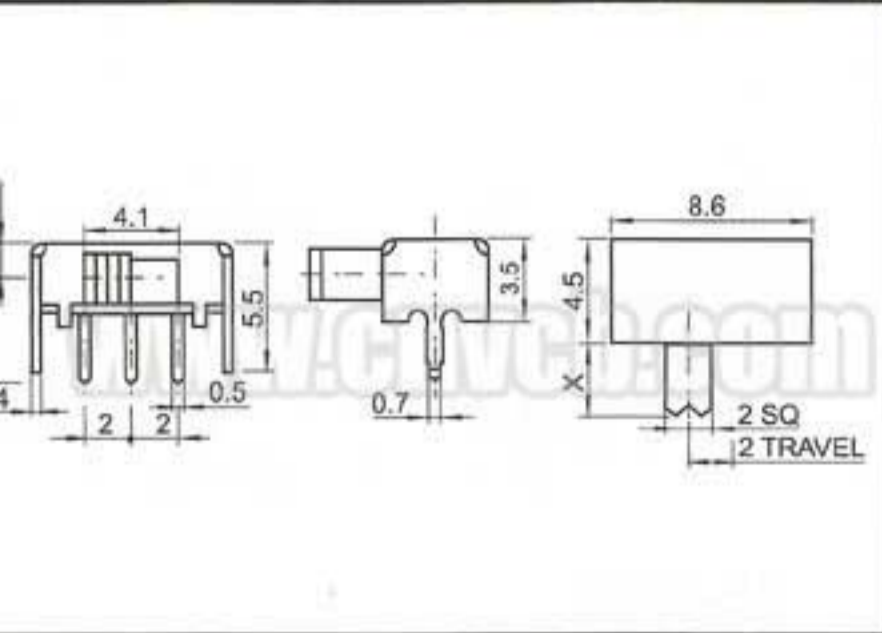
SS-137

Dimensions: 8.6, 4.5, 8.6, 3-0.5, 2, 7.5, 4.7, 1.2, 4.3, X, 2 SQ, 2 TRAVEL


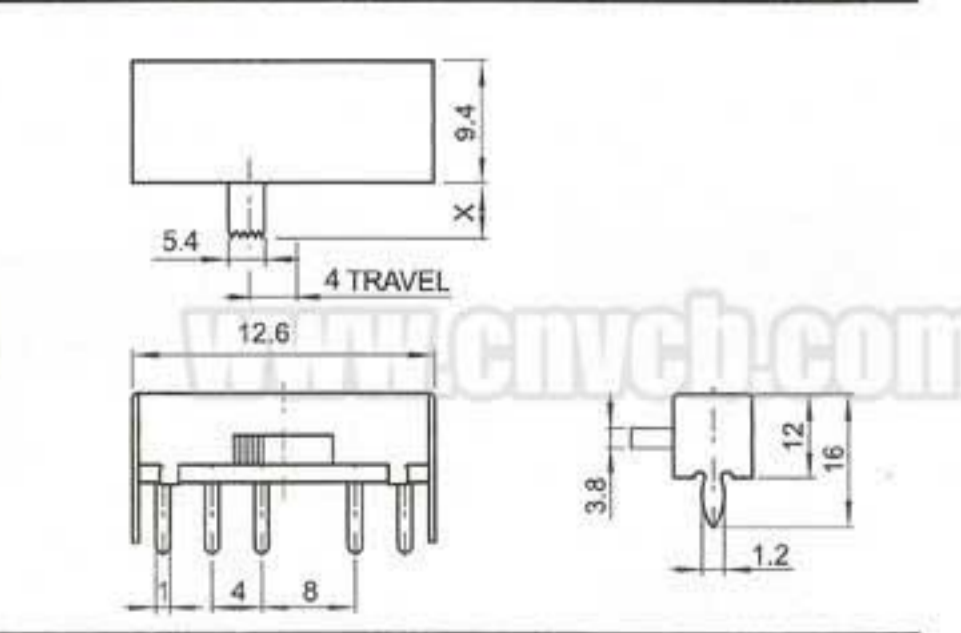
SS-143

Dimensions: 8.0, 0.5, 4.0, 2.0, 2.0, 2.7, 0.4, 4.7, 7.5, 12.6, X, 4.3, 2.0 SQ, 2.0 TRAVEL, 0.3

SS-138

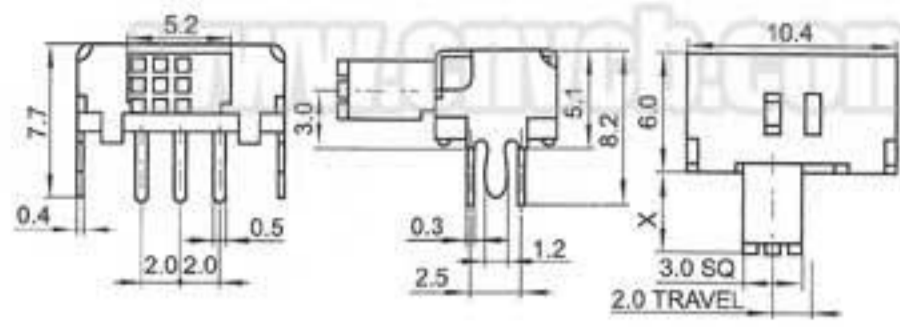
Dimensions: 1.5, 4.1, 8.6, 6, 0.4, 2, 2, 0.5, 0.7, X, 4.5, 2 SQ, 2 TRAVEL

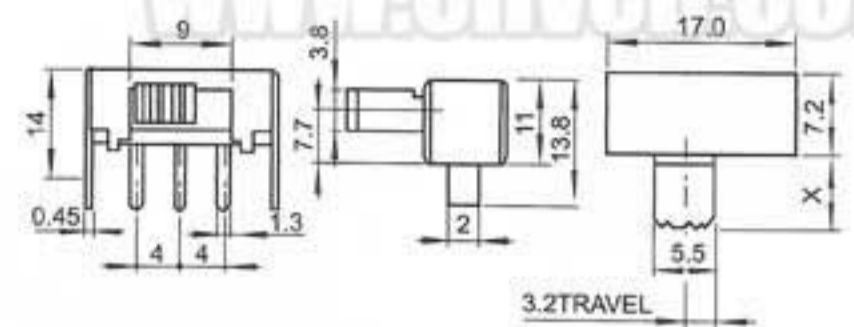
SS-144

Dimensions: 9.4, 5.4, 4 TRAVEL, 12.6, 3.8, 12, 16, 1.2, 4, 8

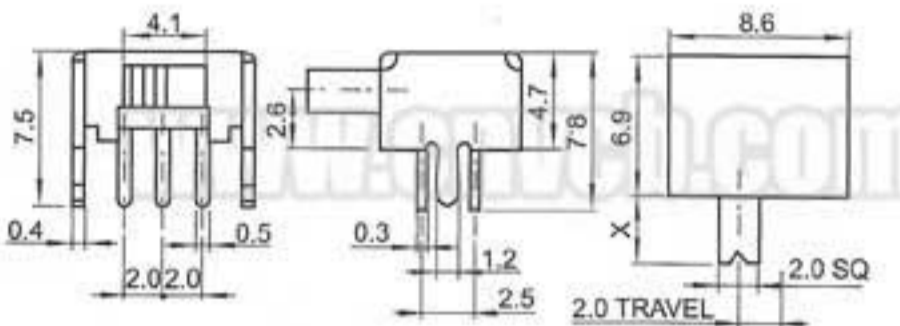
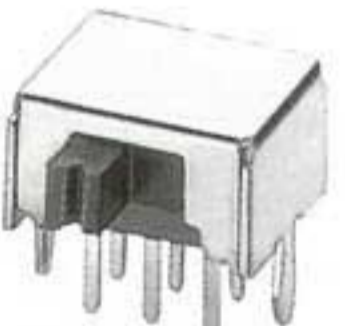




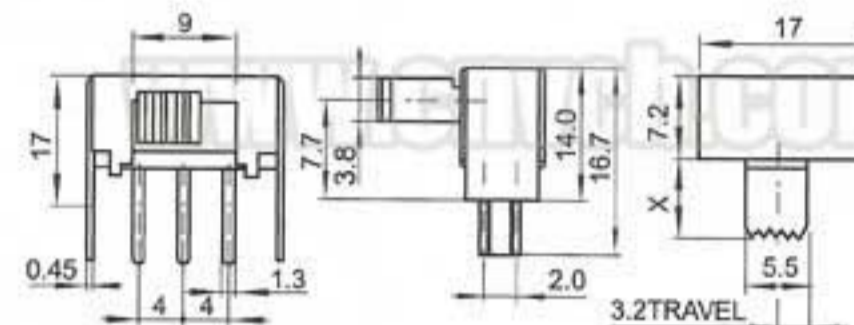
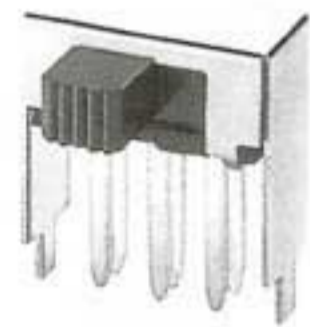
SS-145



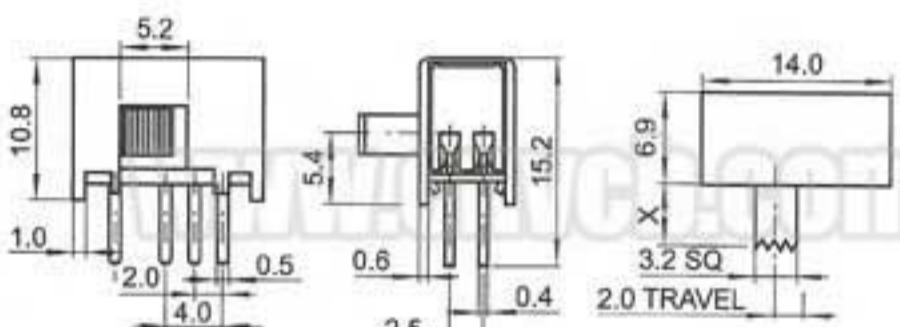
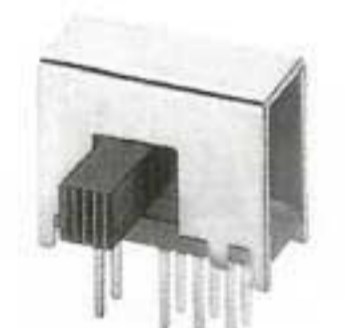
SS-151



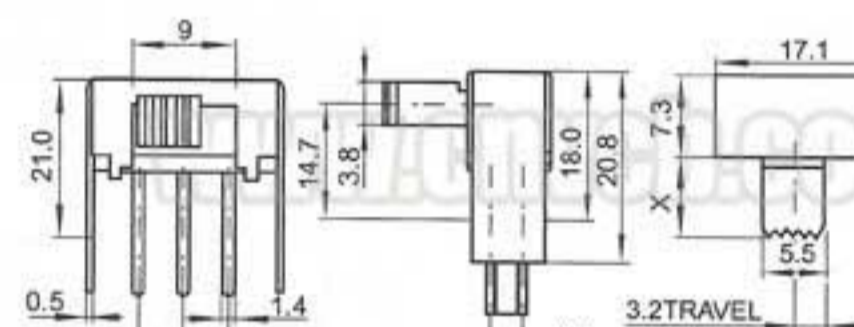
SS-146



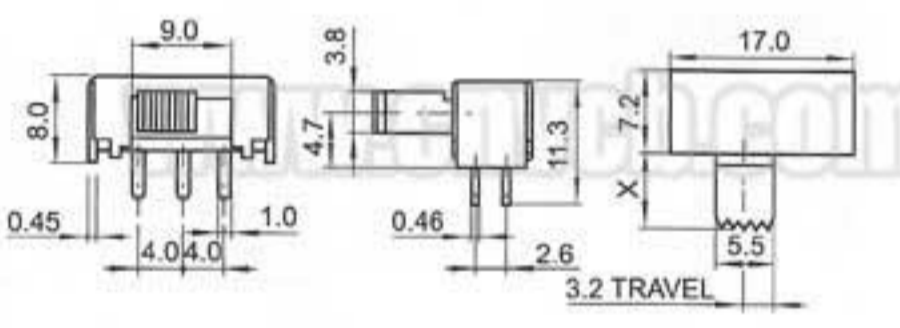
SS-152



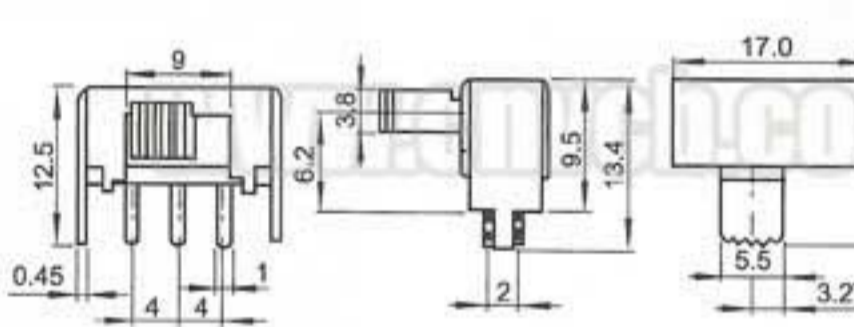
SS-147



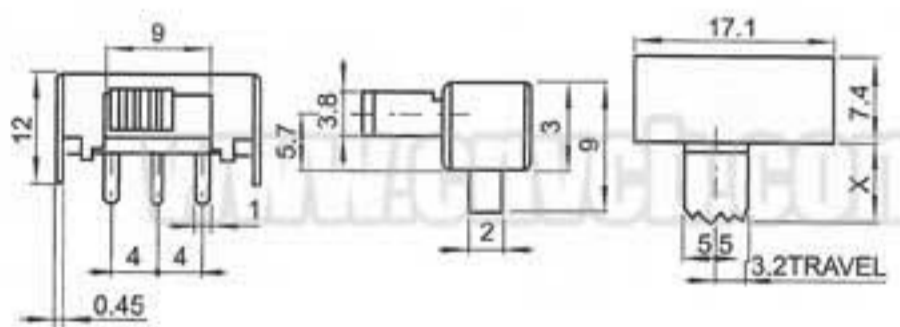
SS-153



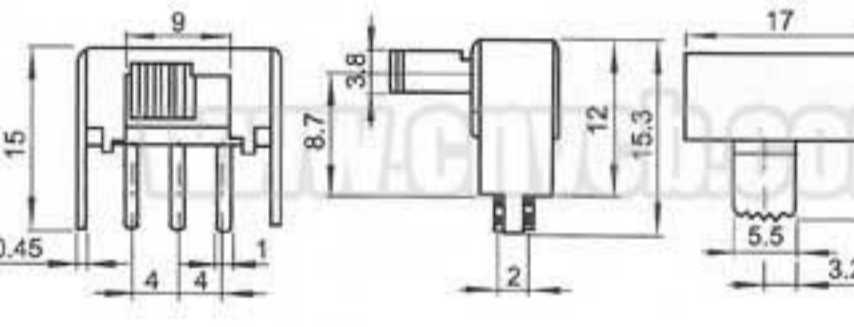
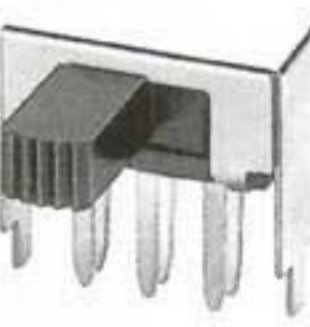
SS-148



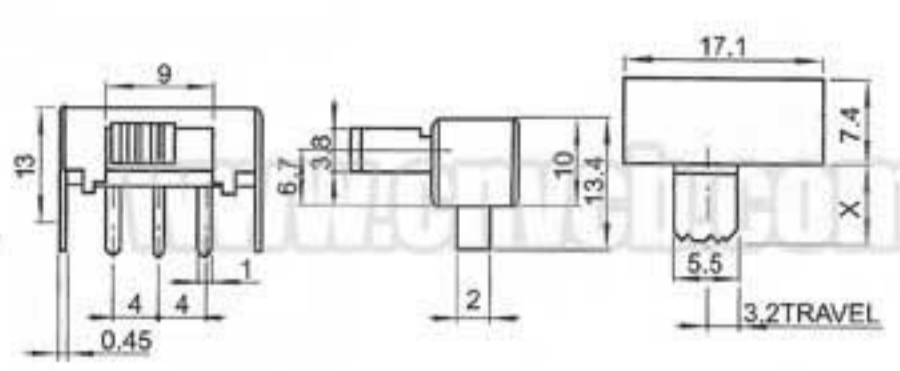
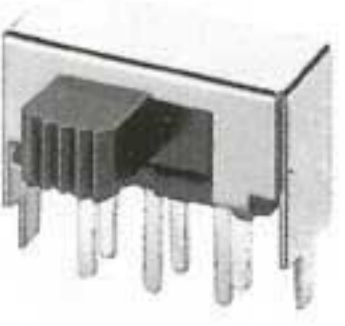
SS-154



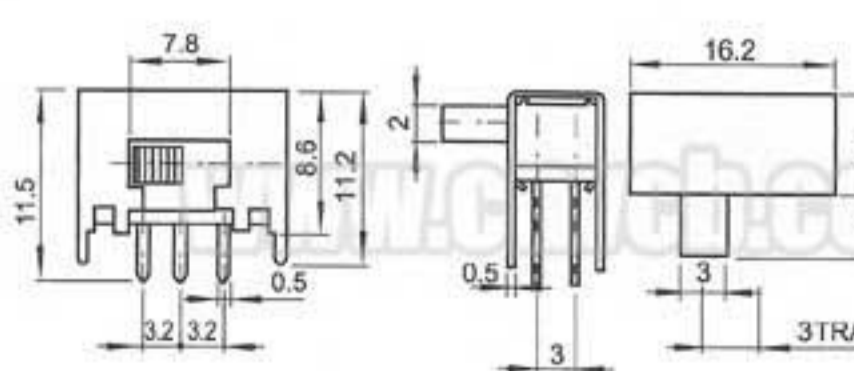
SS-149



SS-155

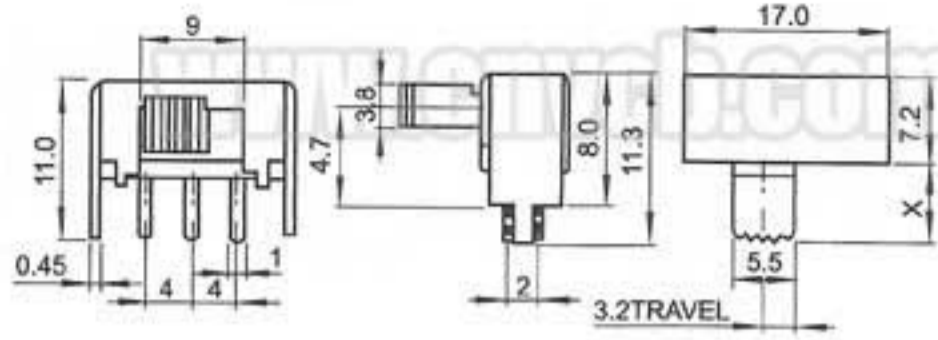
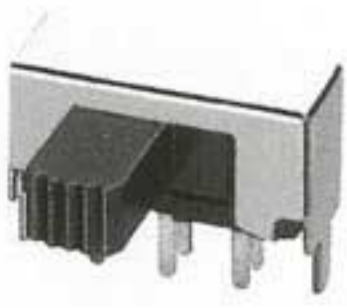


SS-150

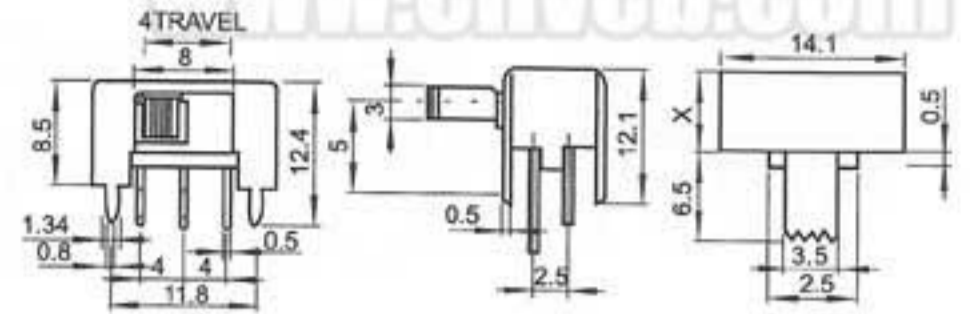
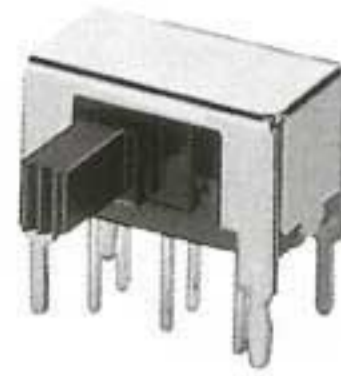


SS-156

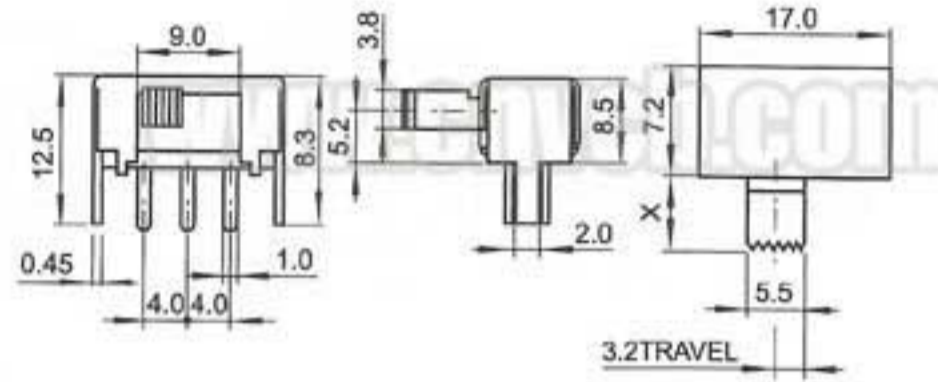
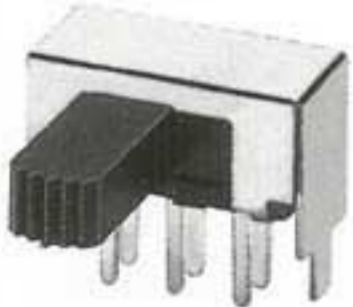




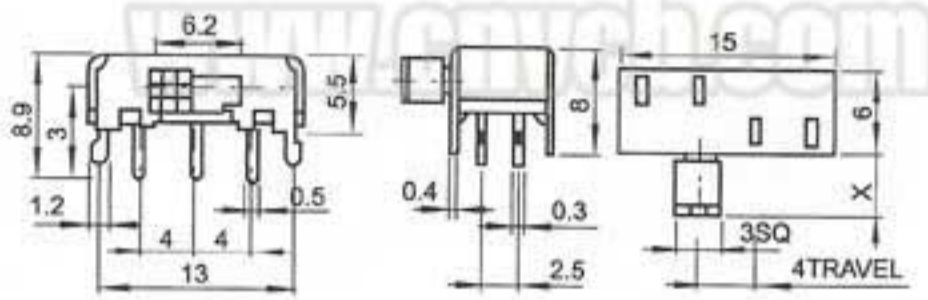
SS-157



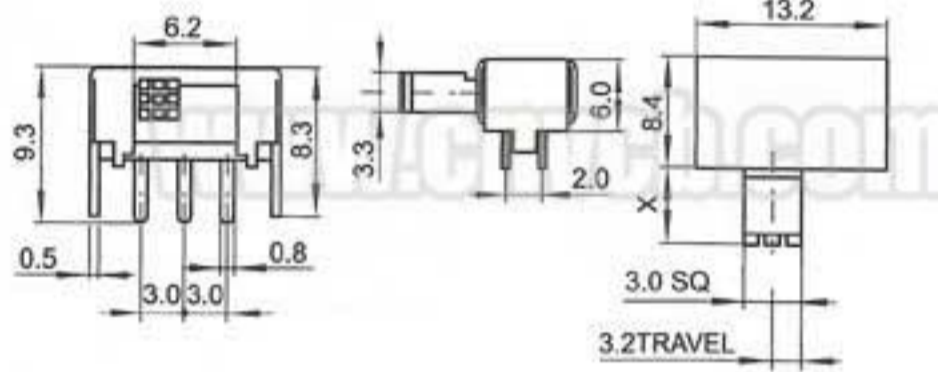
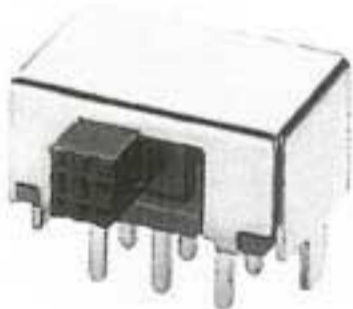
SS-163



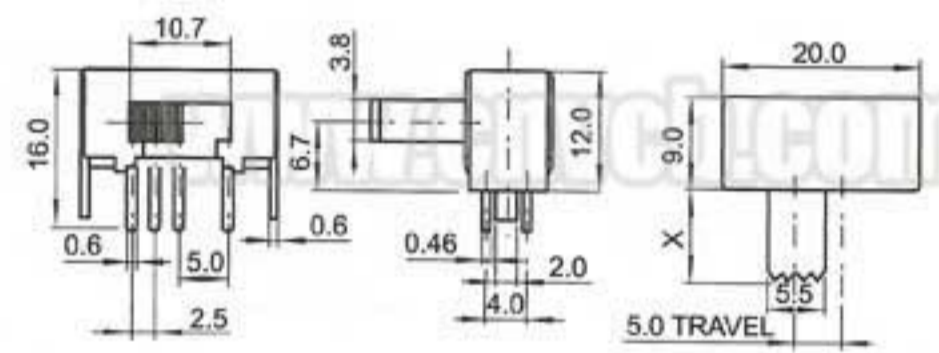
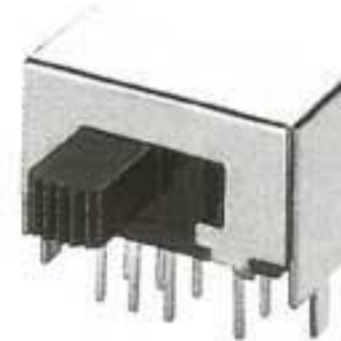
SS-158



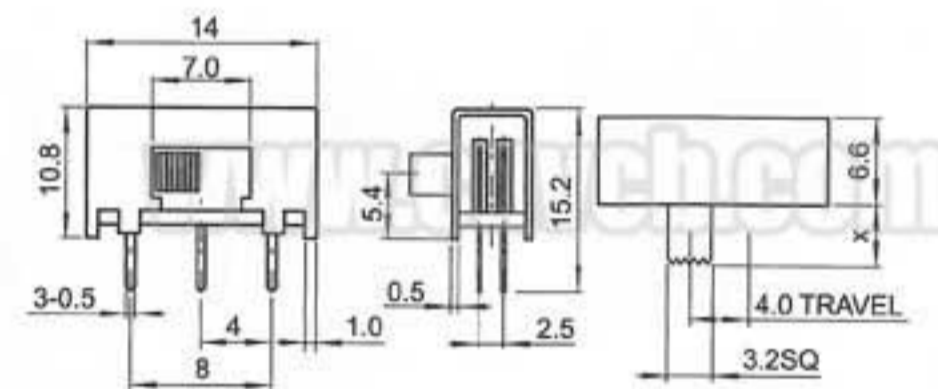
SS-164



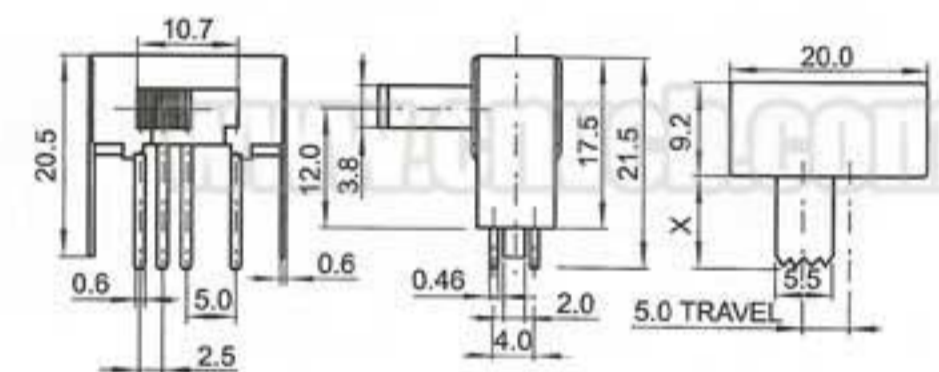
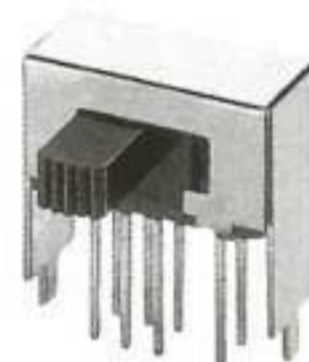
SS-159



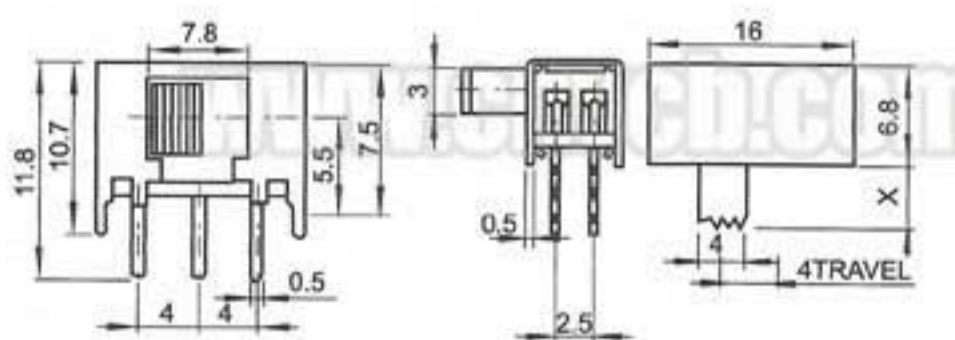
SS-165



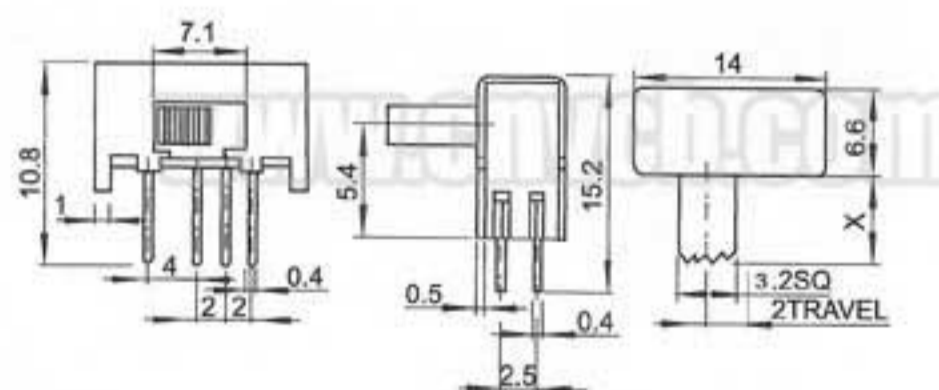
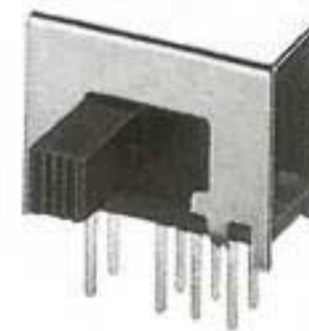
SS-160



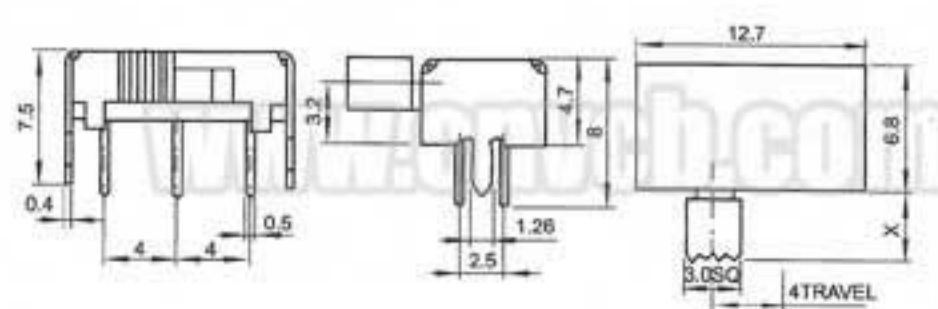
SS-166



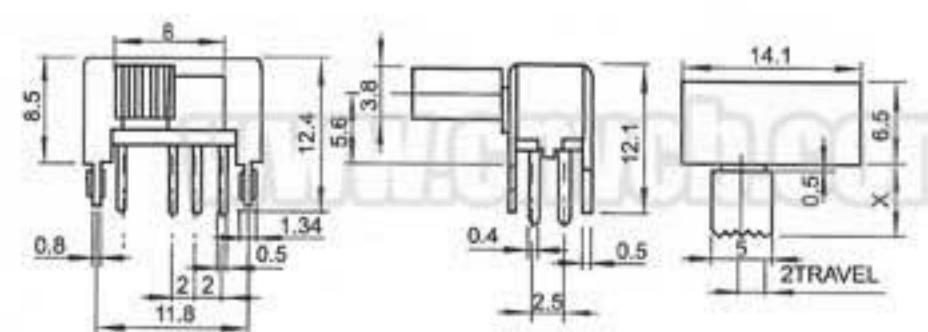
SS-161



SS-167

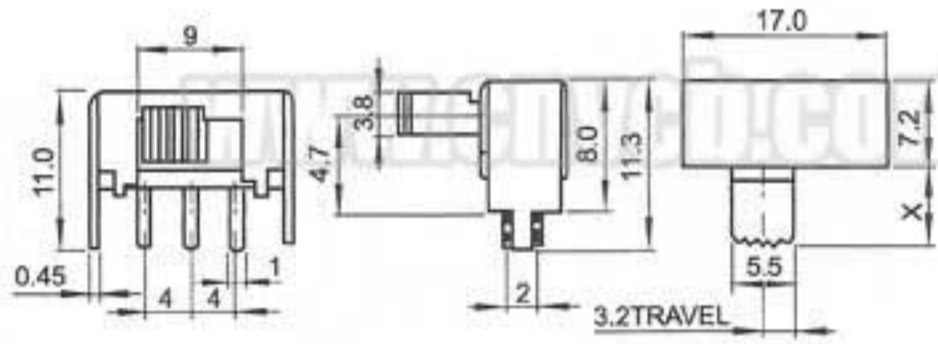
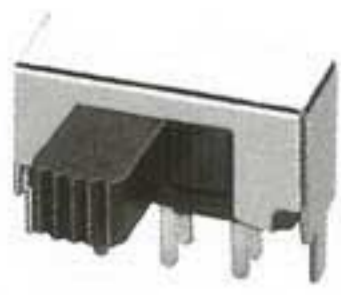


SS-162

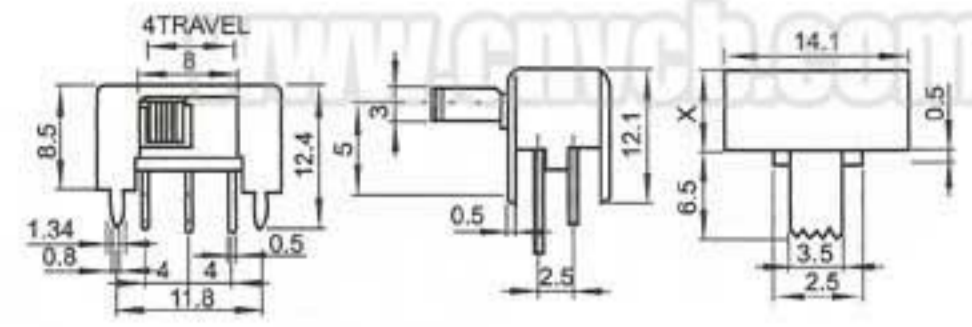


SS-168

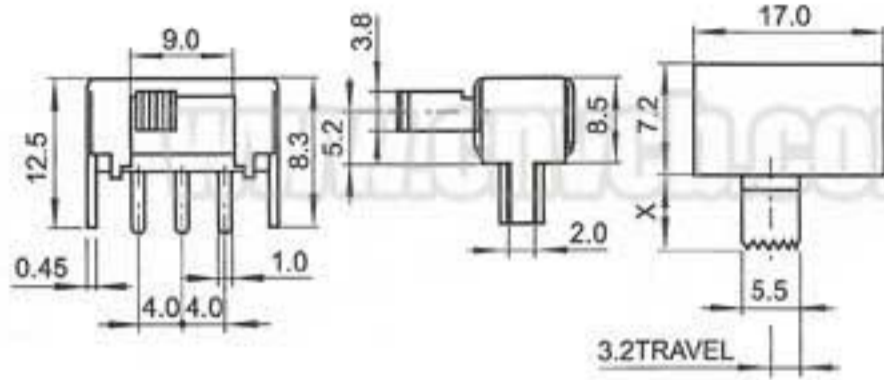
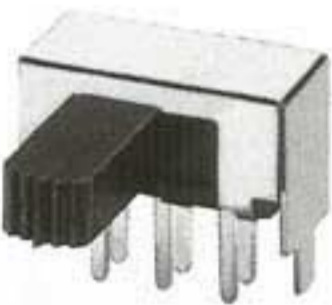




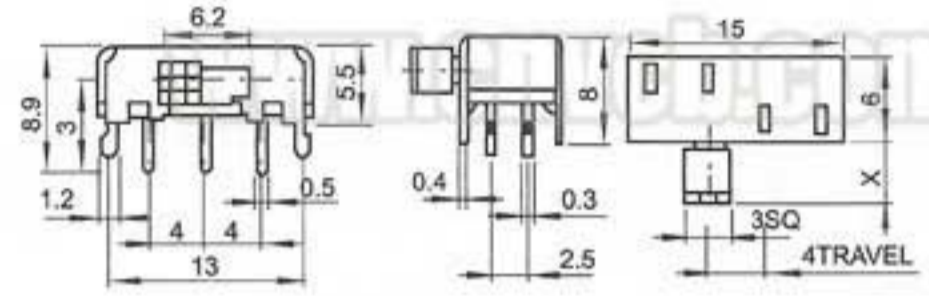
SS-169



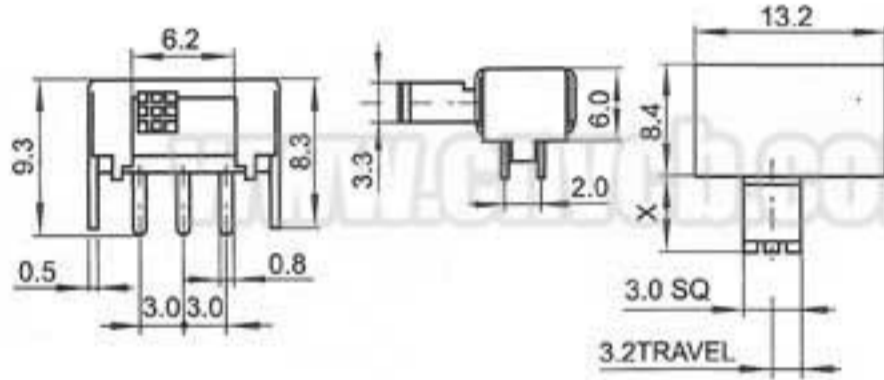
SS-175



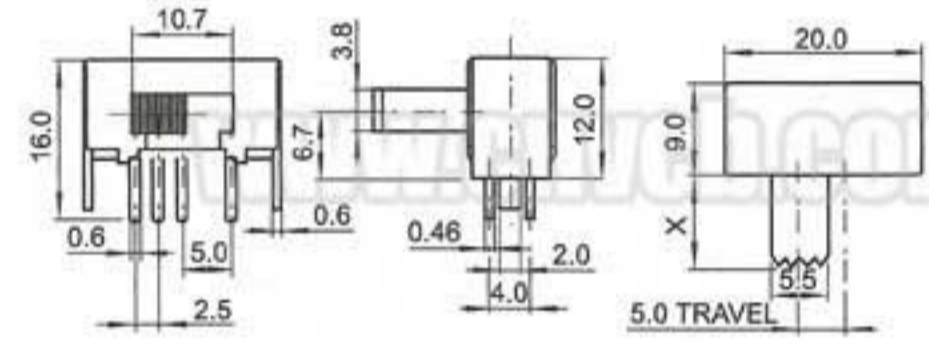
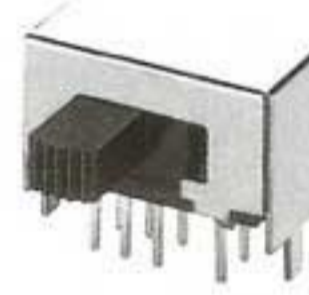
SS-170



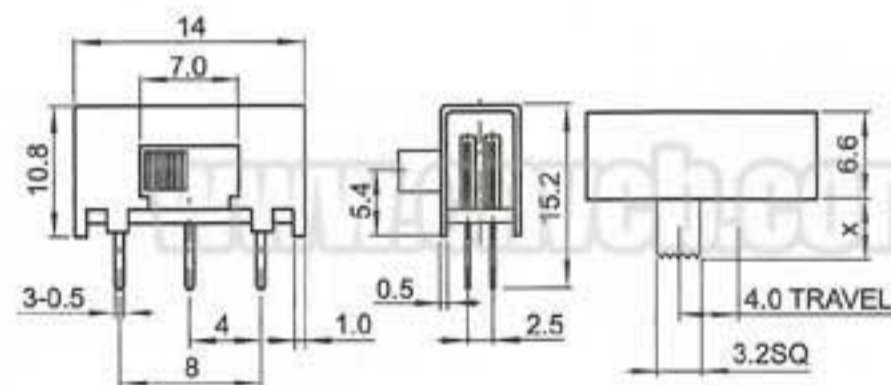
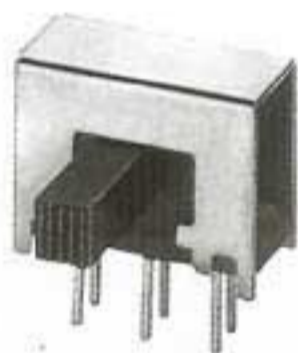
SS-176



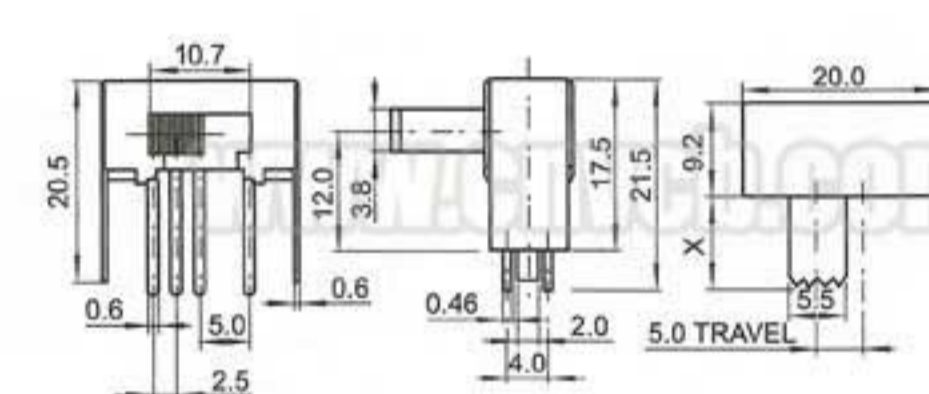
SS-171



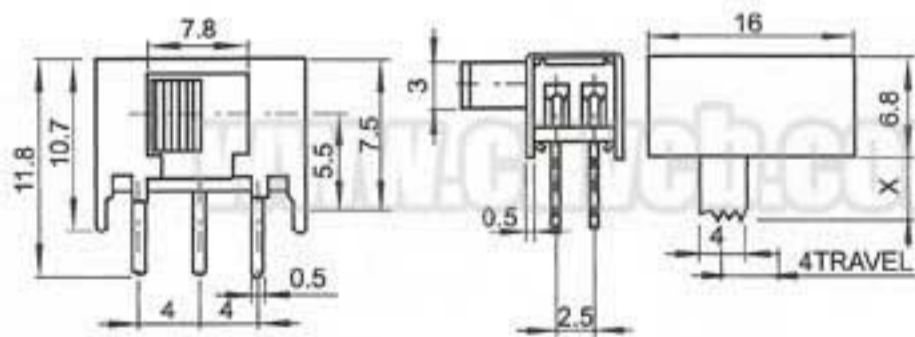
SS-177



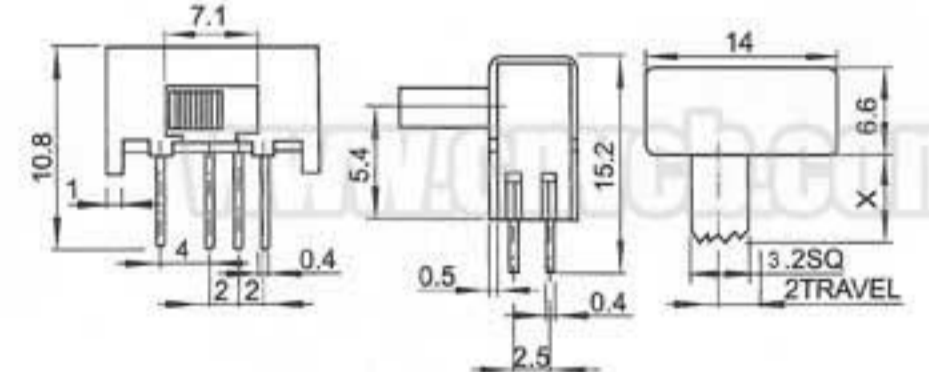
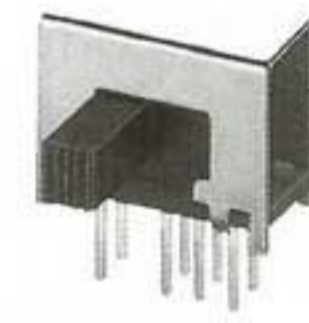
SS-172



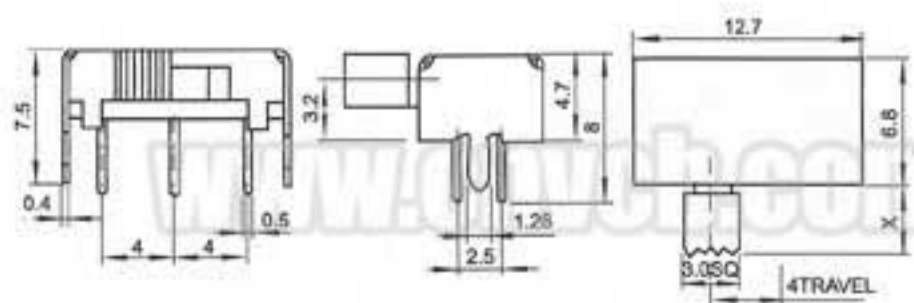
SS-178



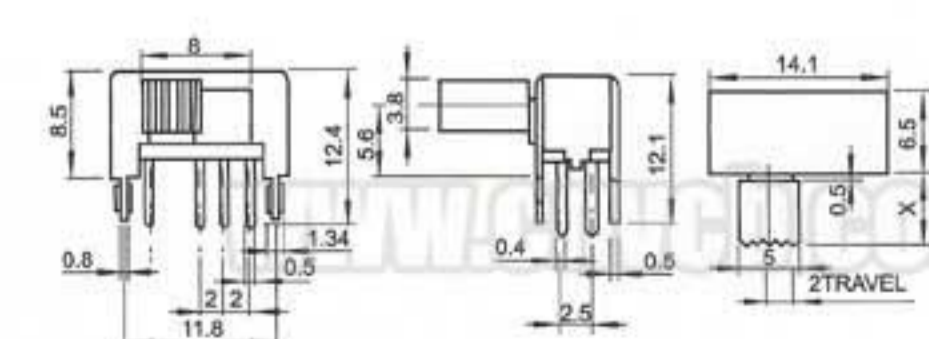
SS-173



SS-179

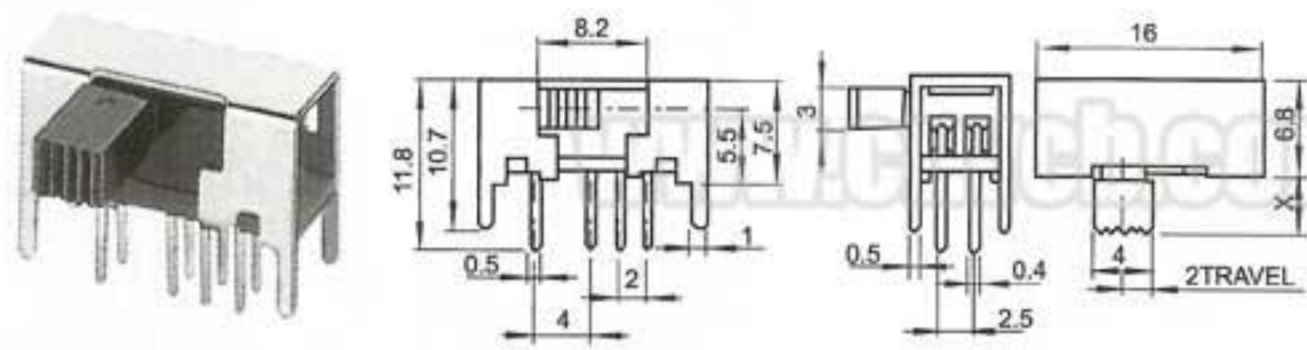


SS-174

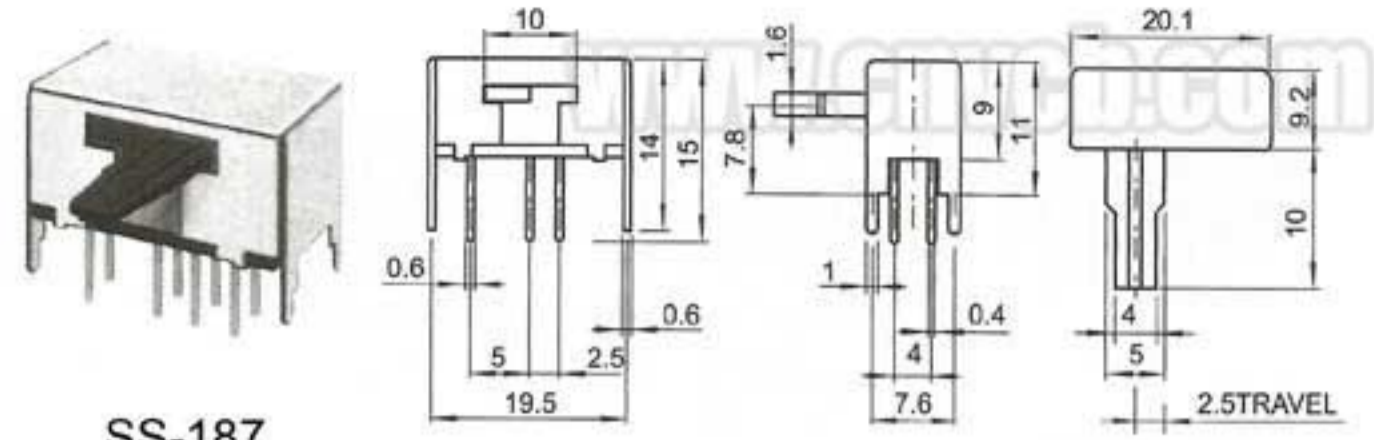


SS-180

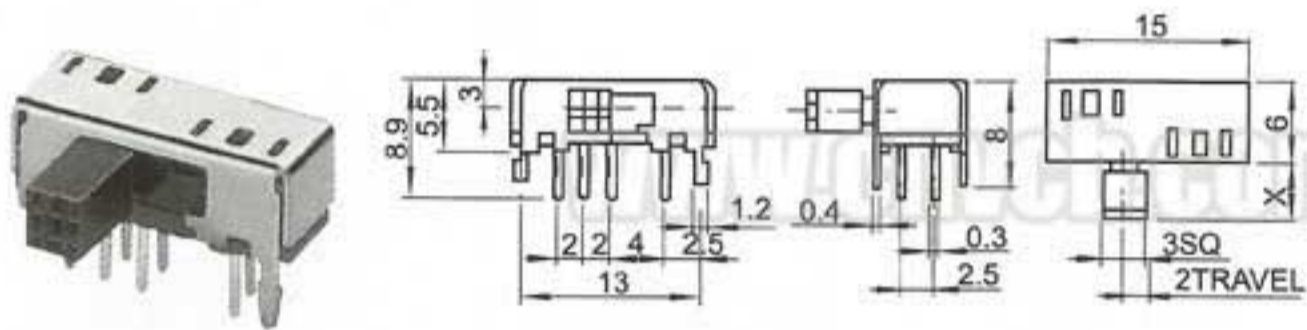




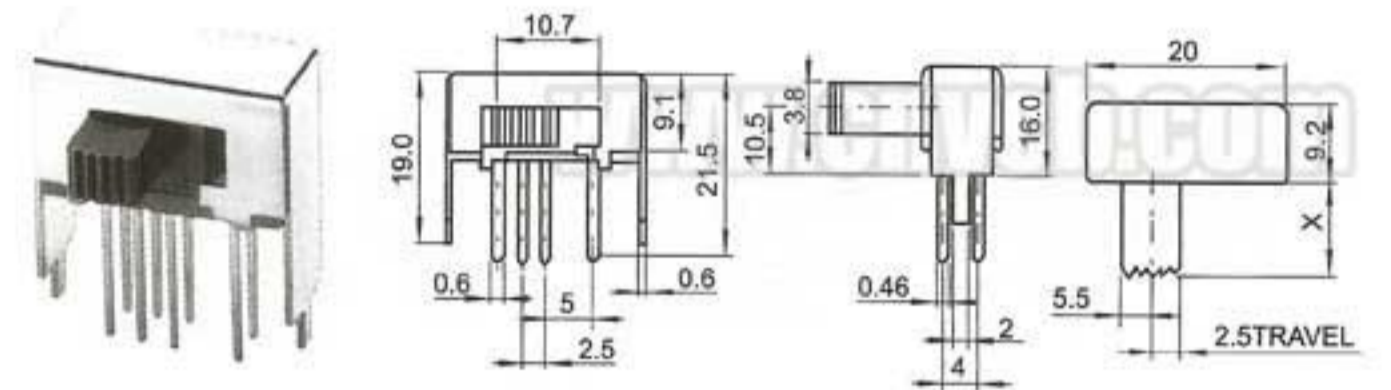
SS-181



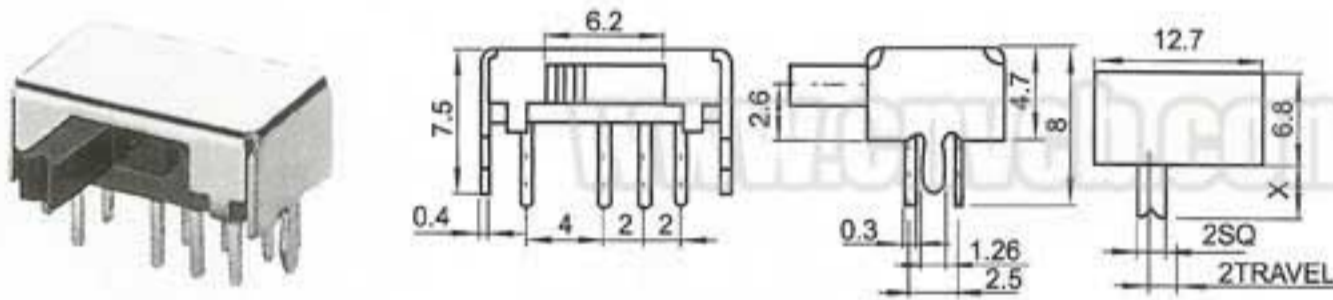
SS-187



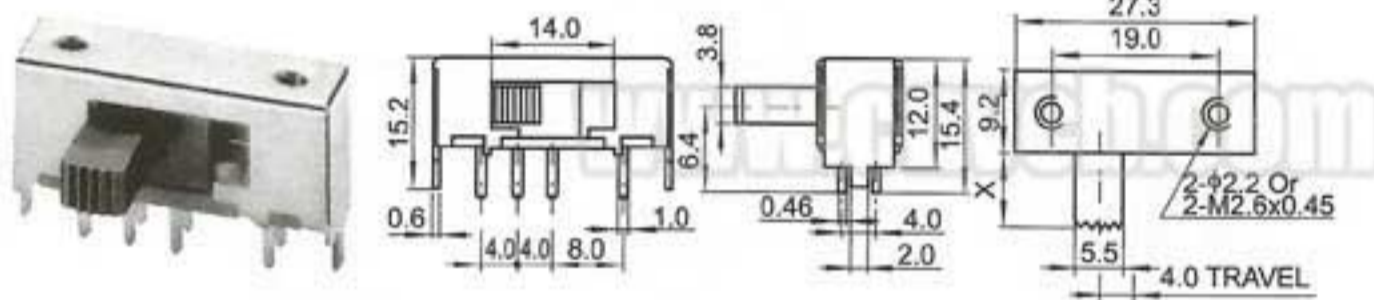
SS-182



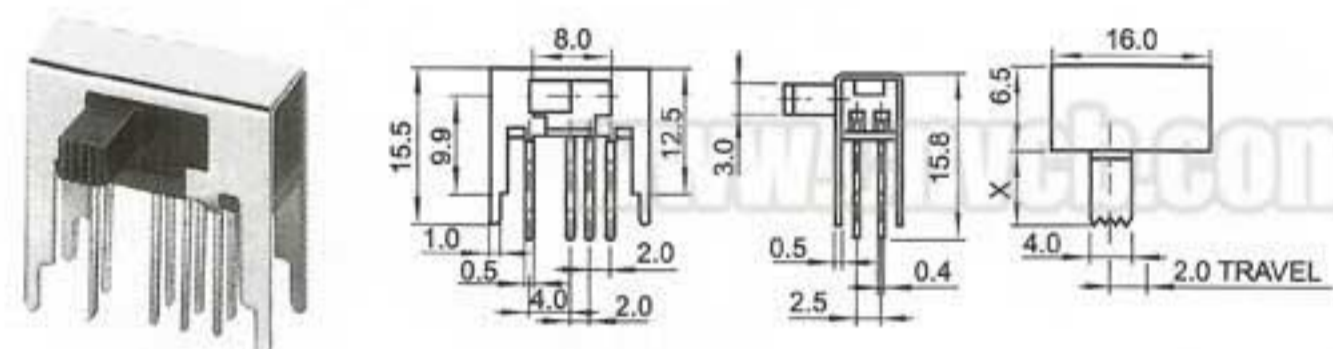
SS-188



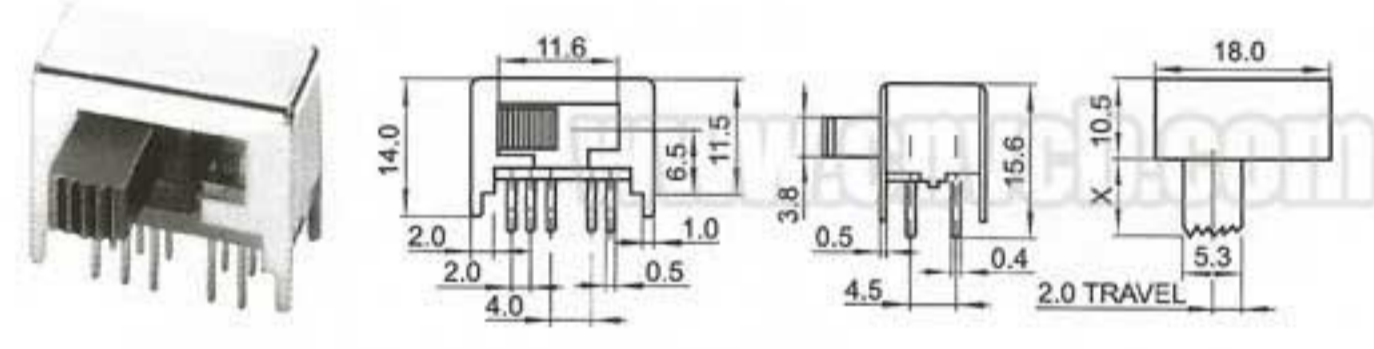
SS-183



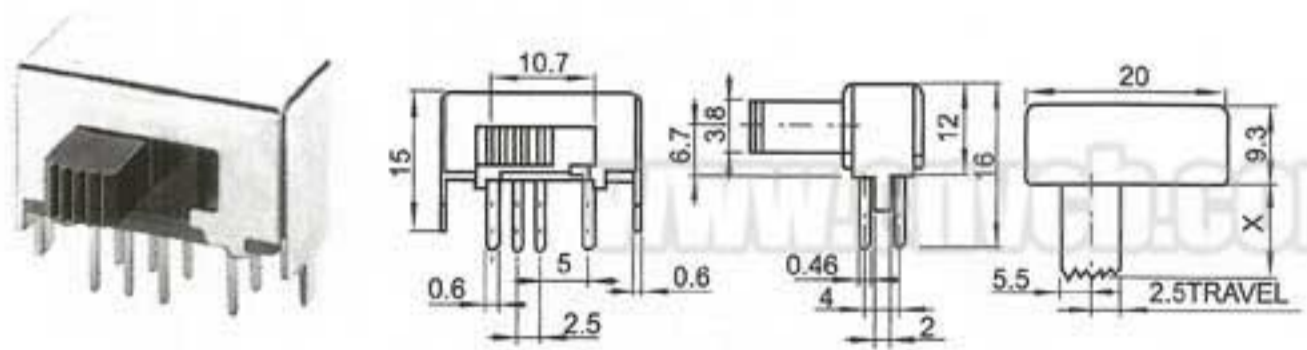
SS-189



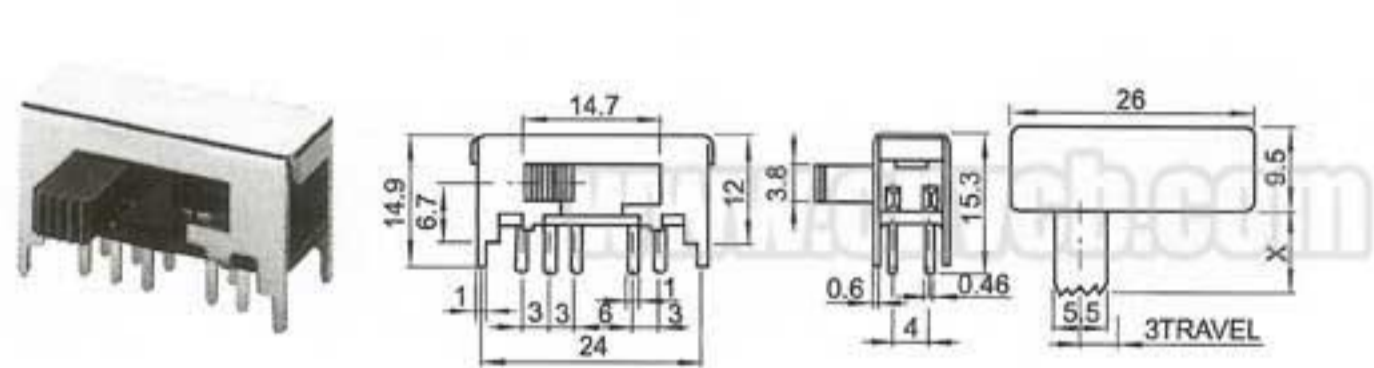
SS-184



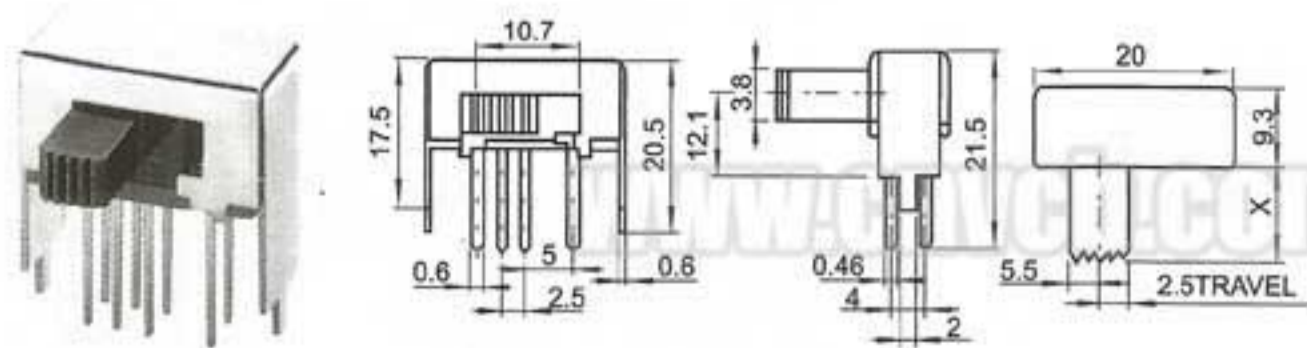
SS-190



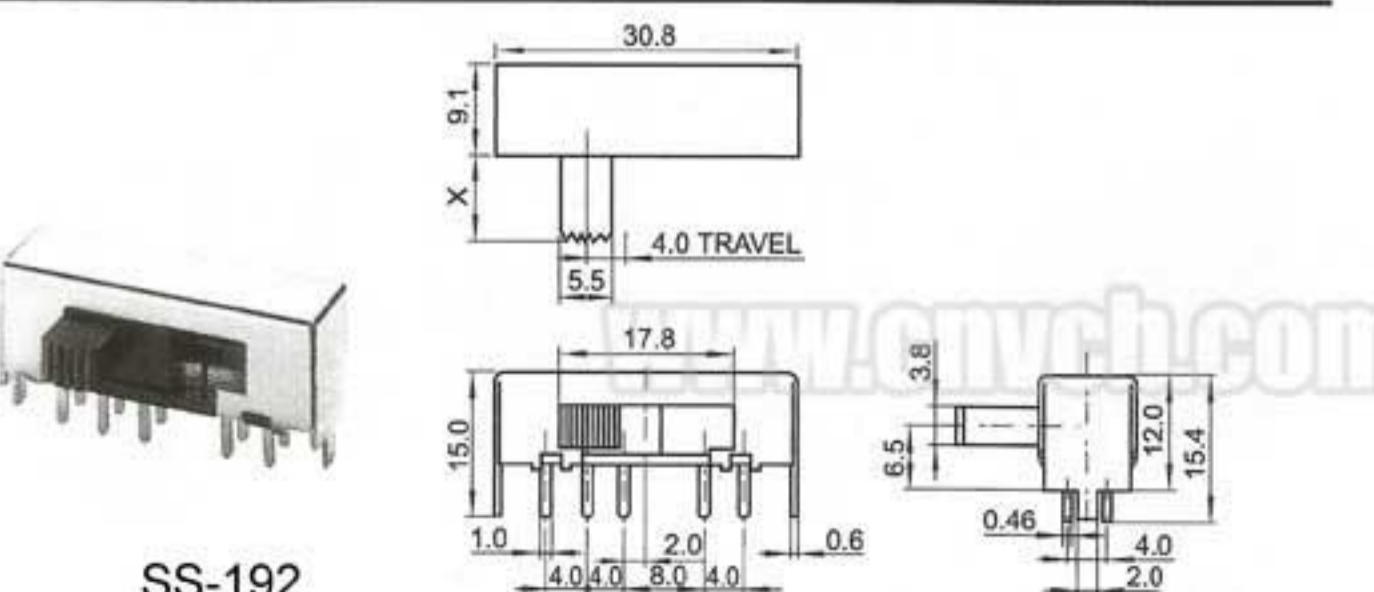
SS-185



SS-191



SS-186

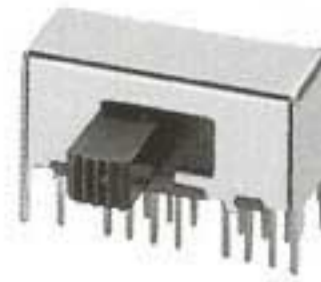
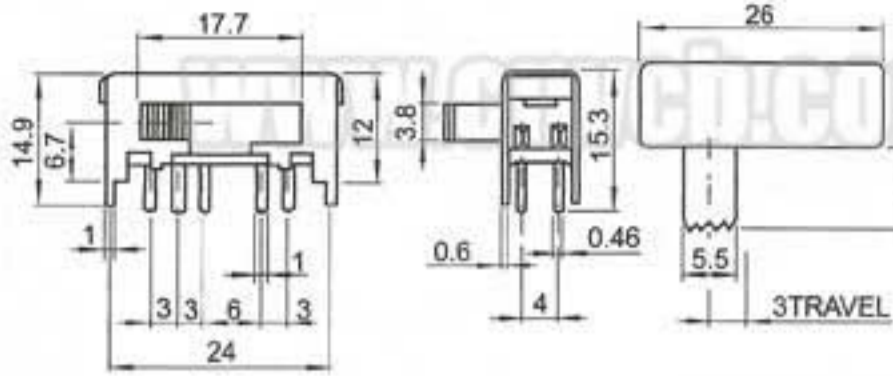


SS-192

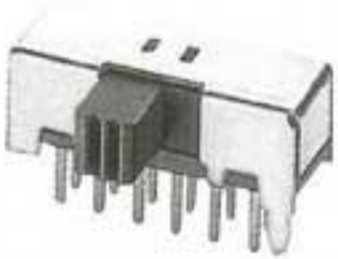
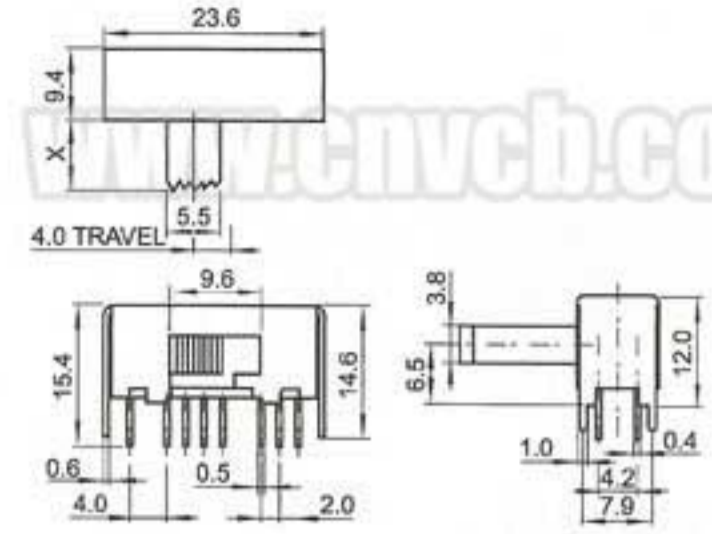




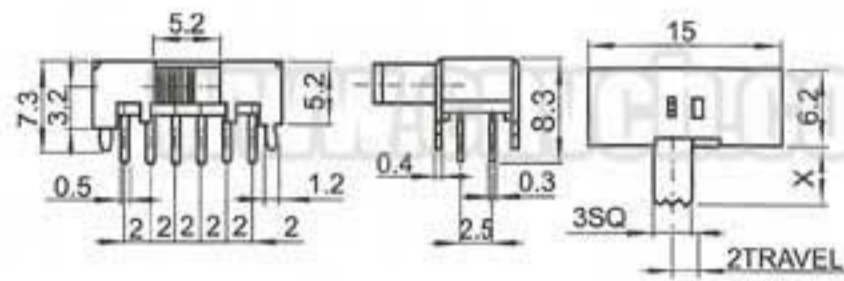
SS-193



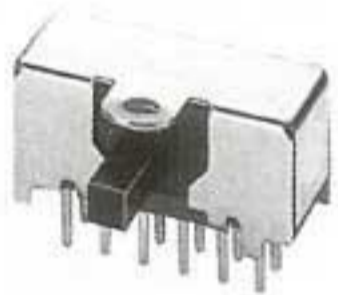
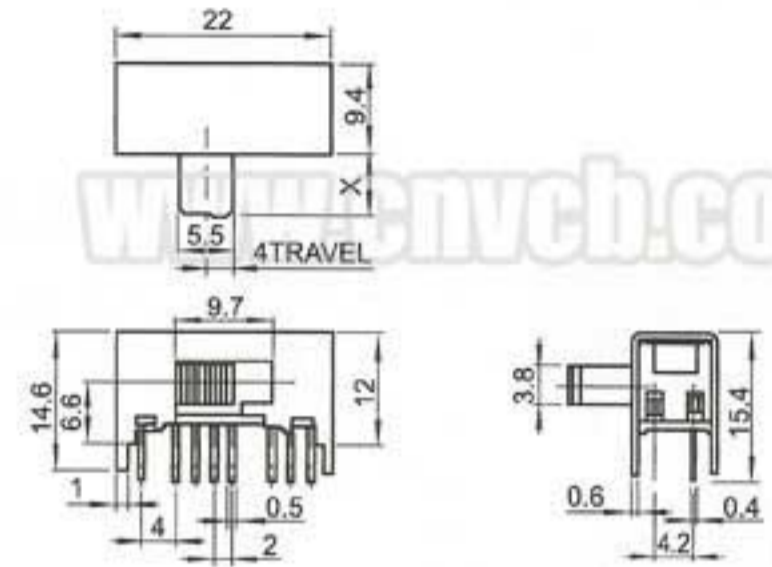
SS-199



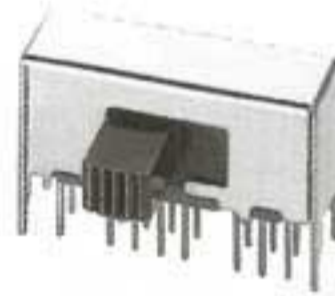
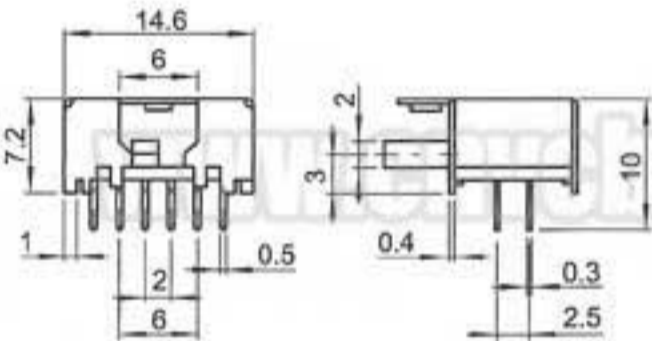
SS-194



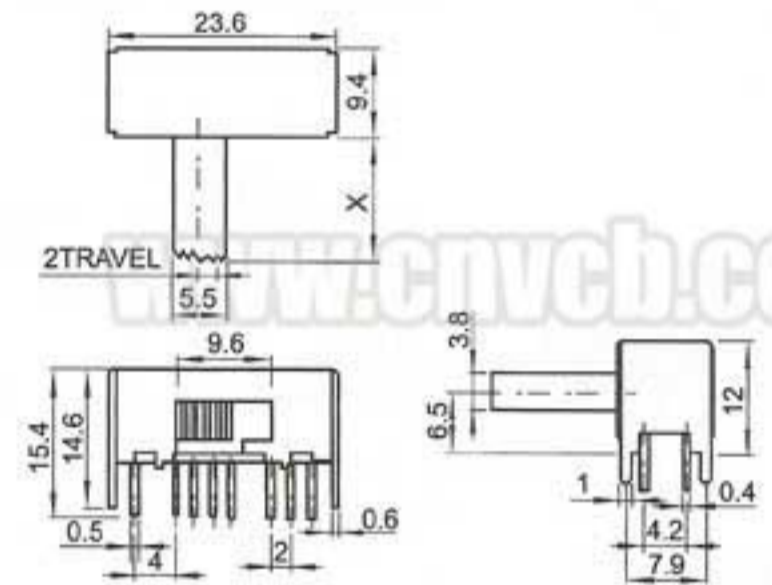
SS-200



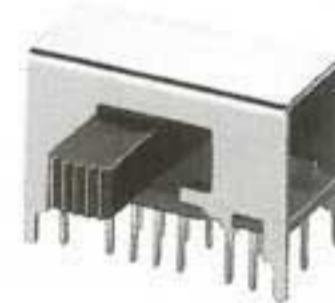
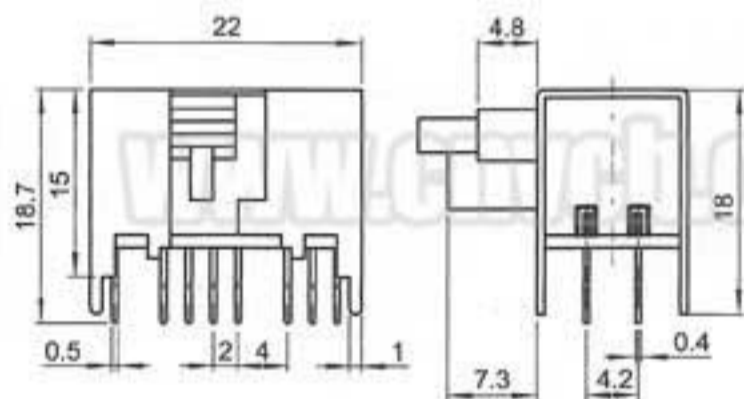
SS-195



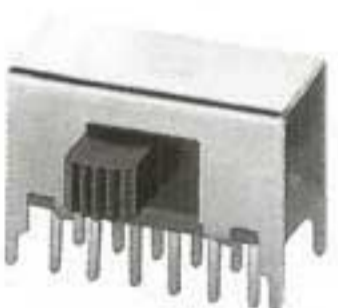
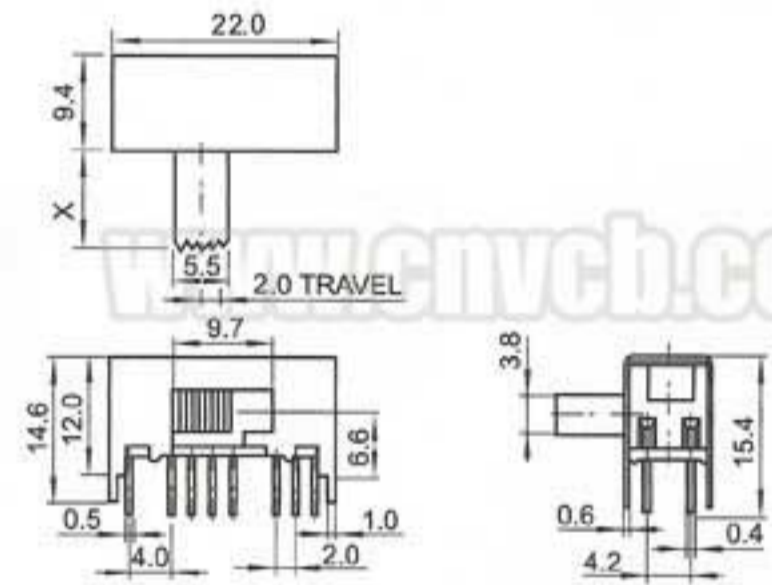
SS-201



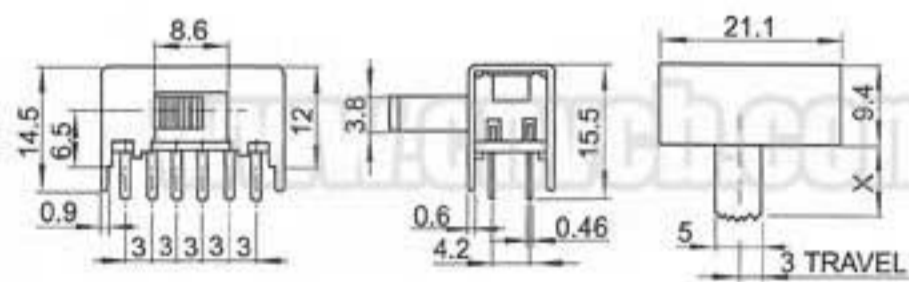
SS-196



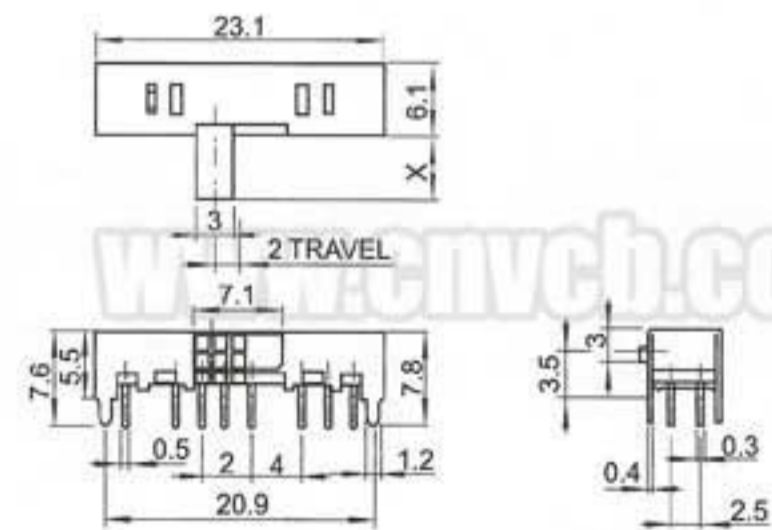
SS-202



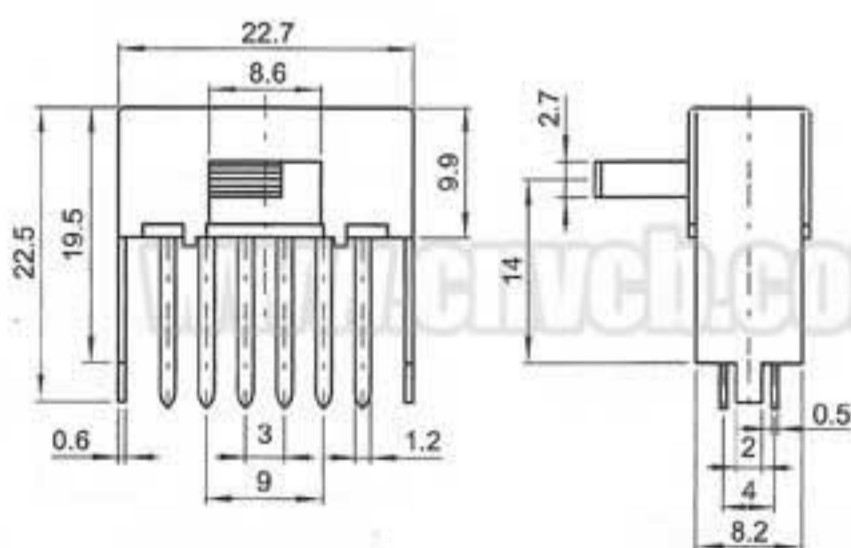
SS-197



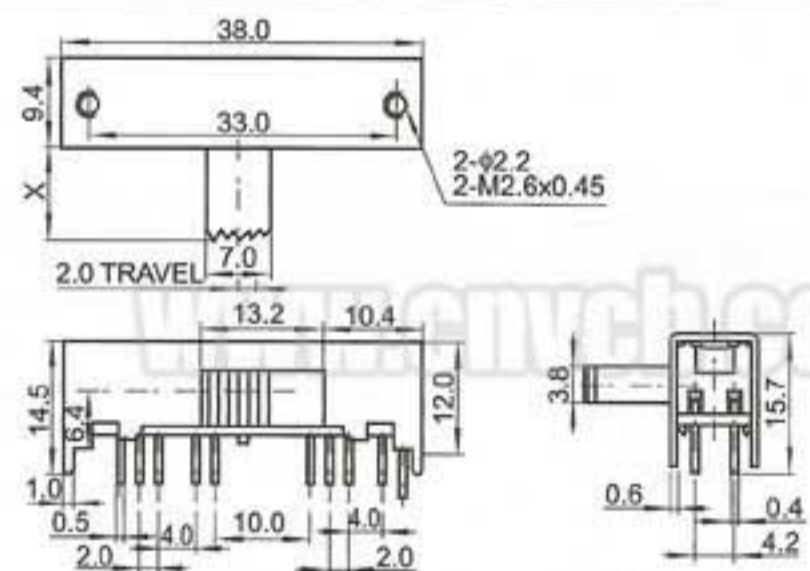
SS-203



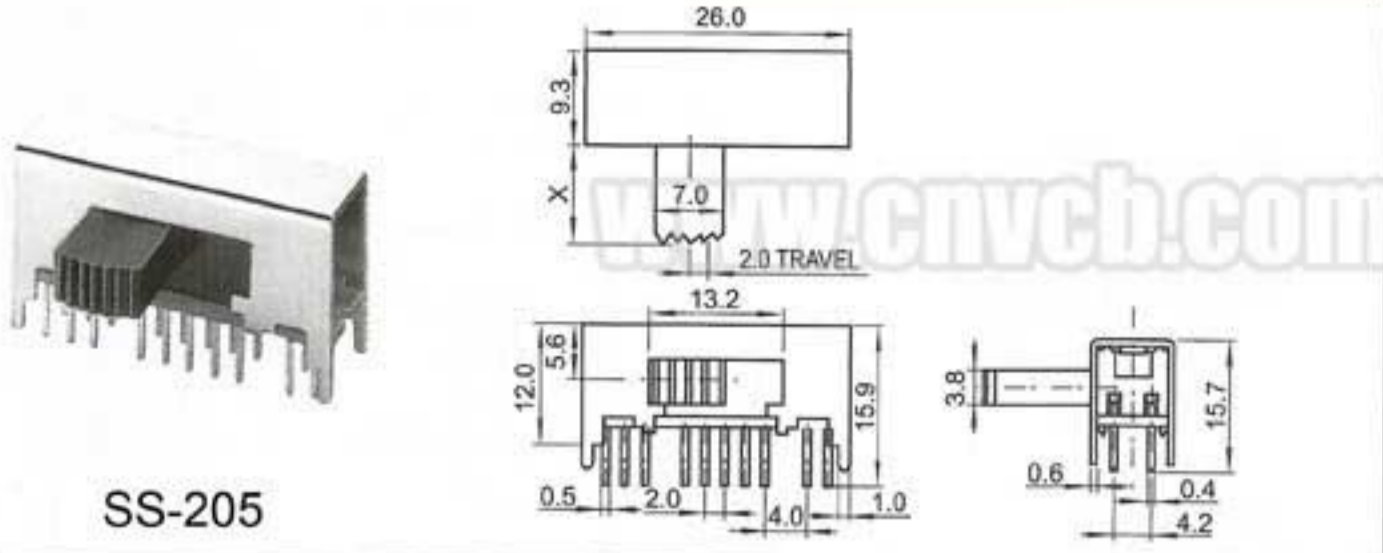
SS-198



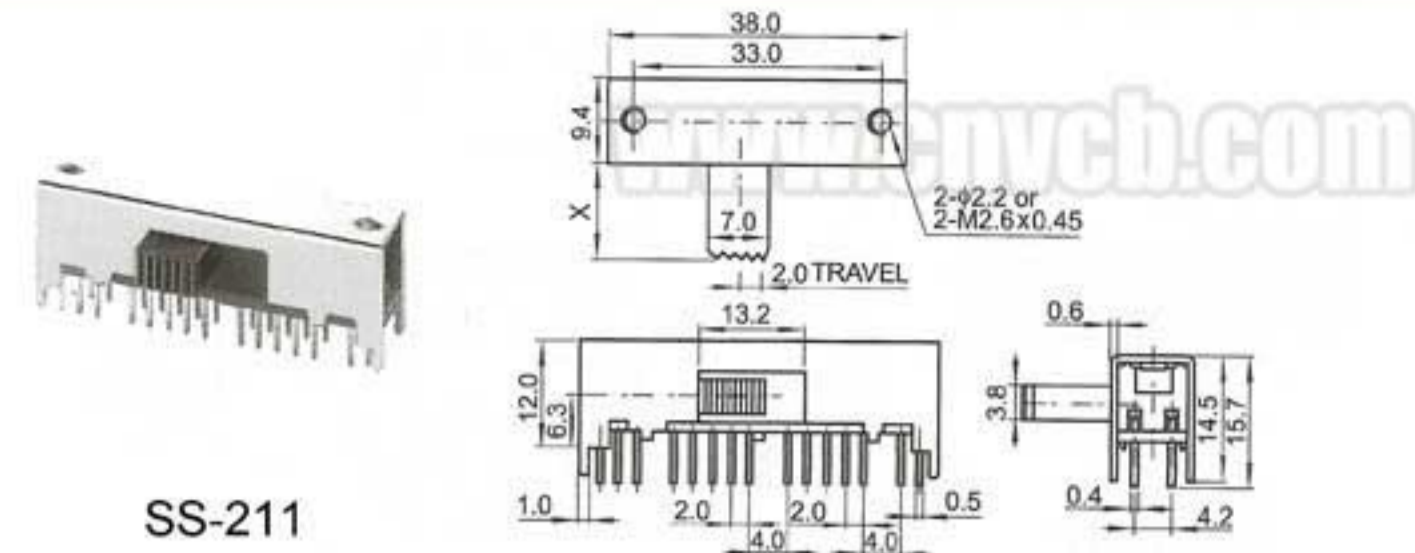
SS-204



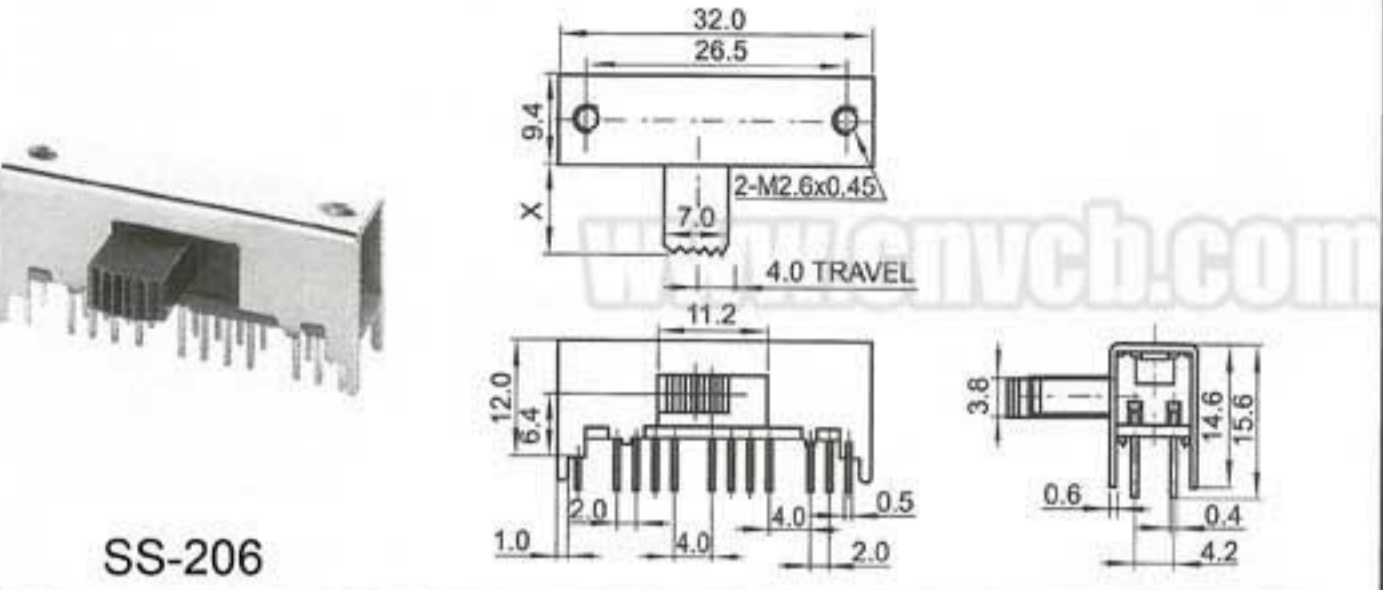




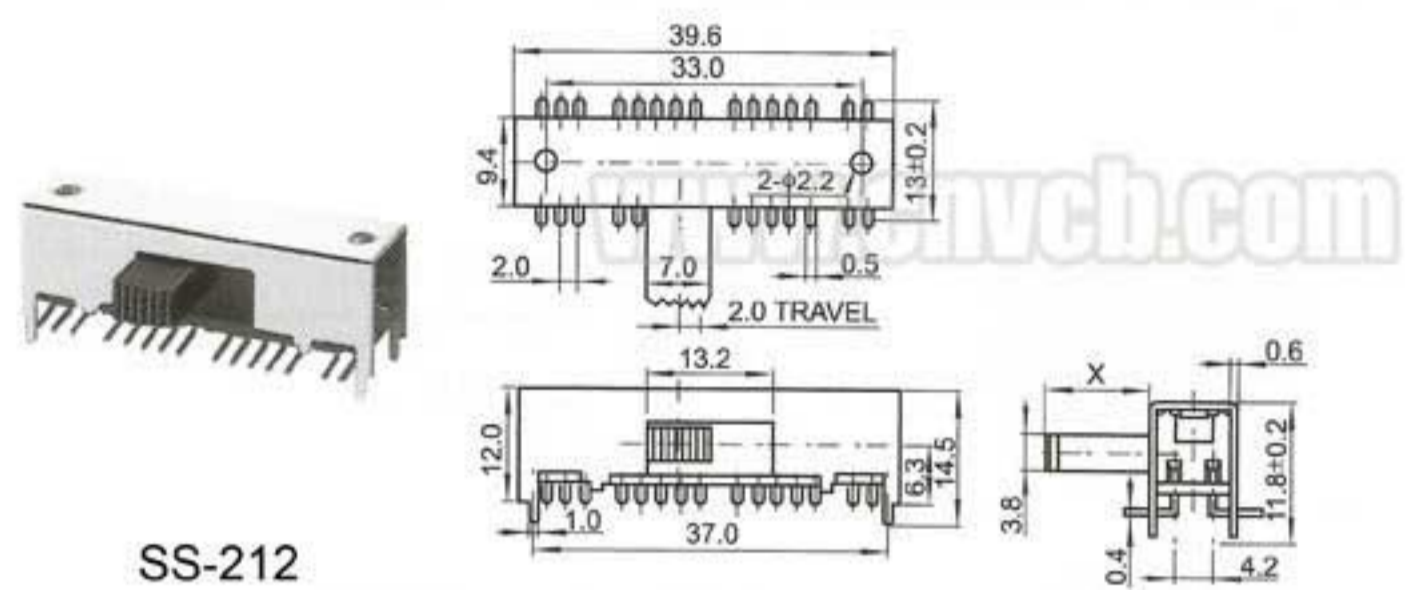
SS-205



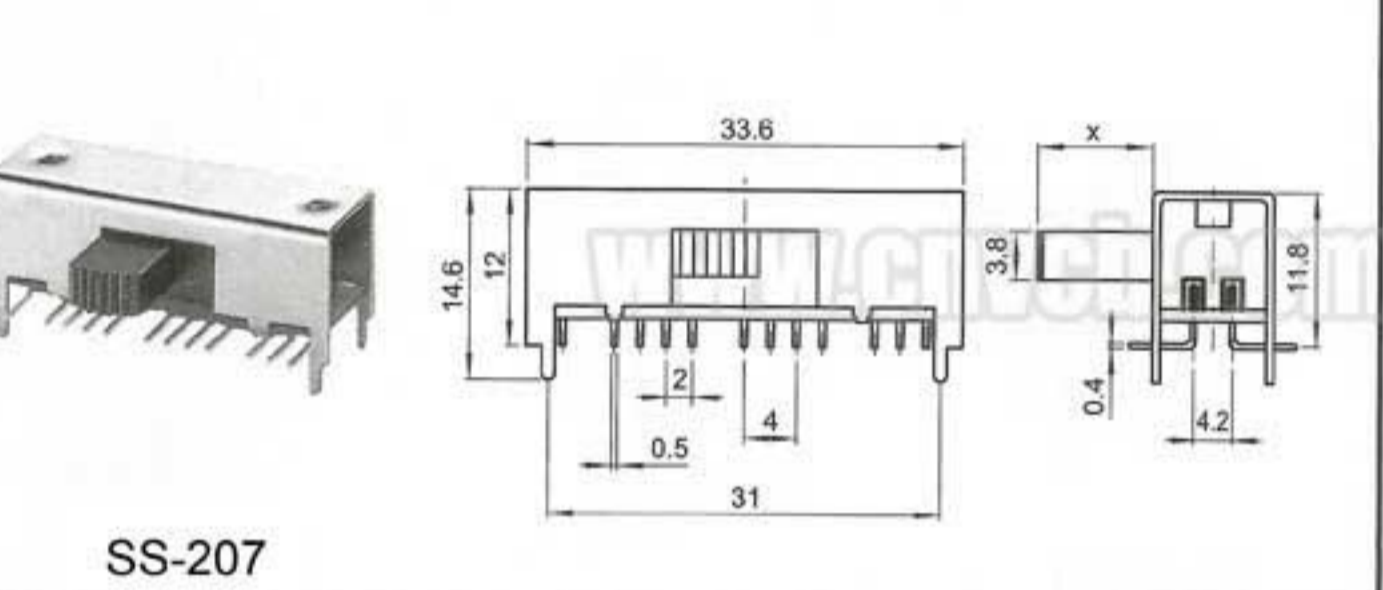
SS-211



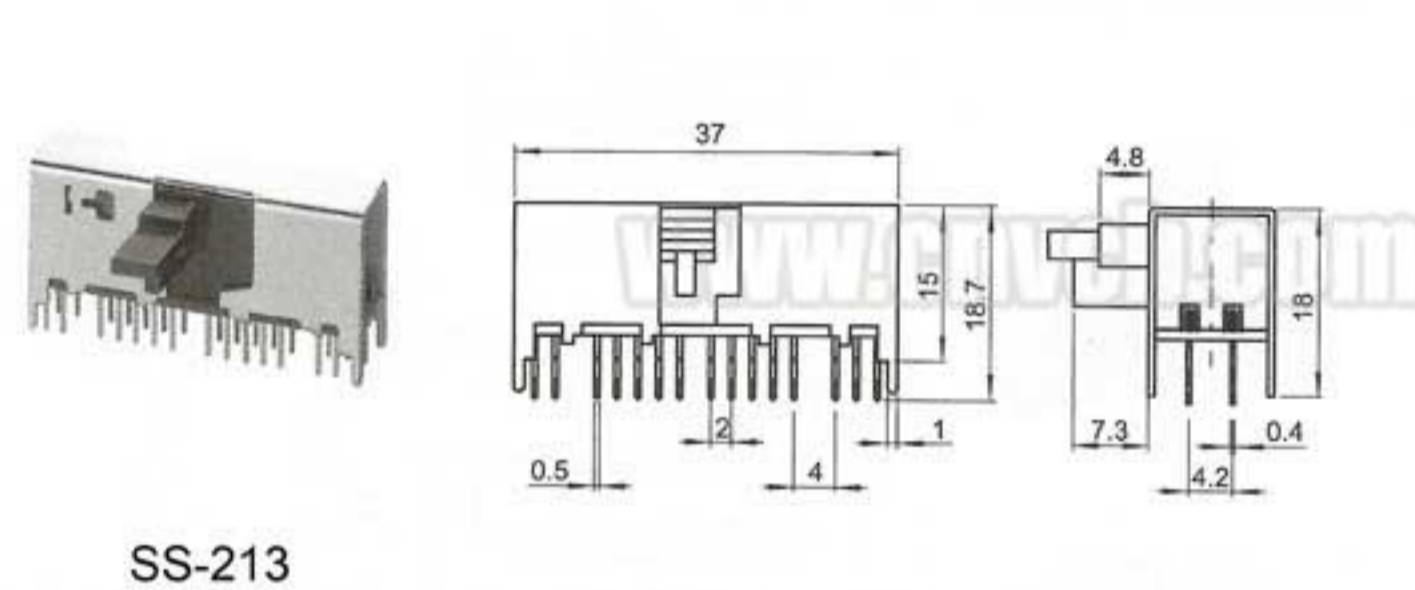
SS-206



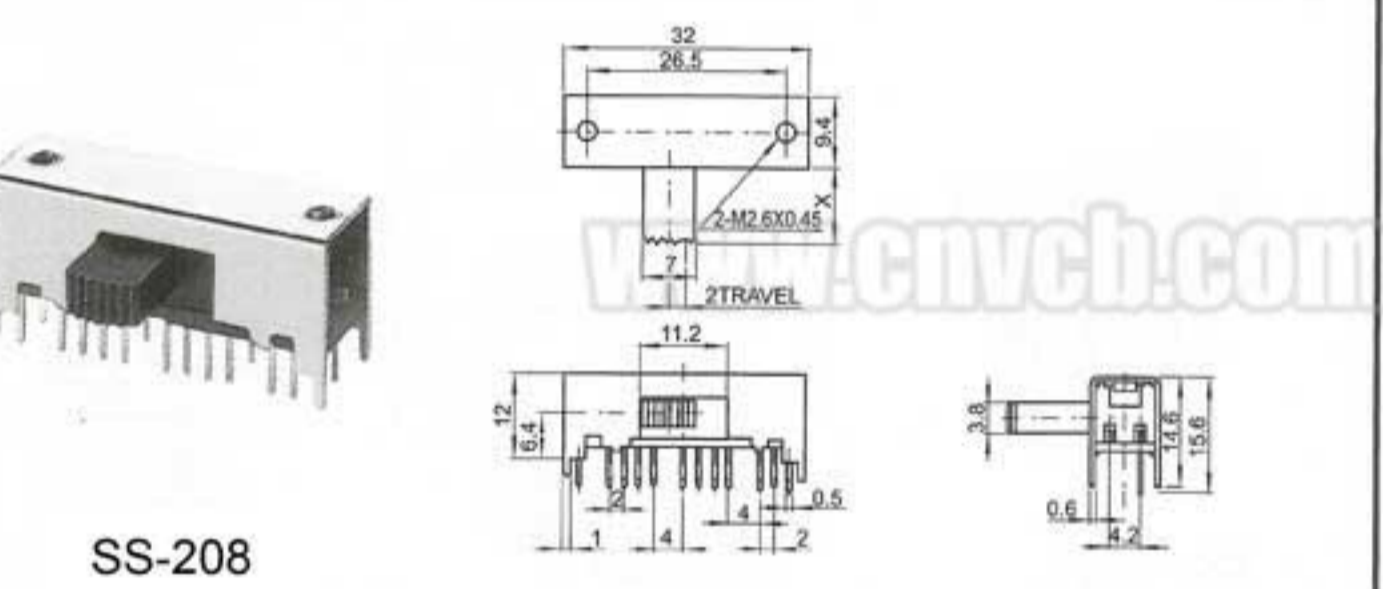
SS-212



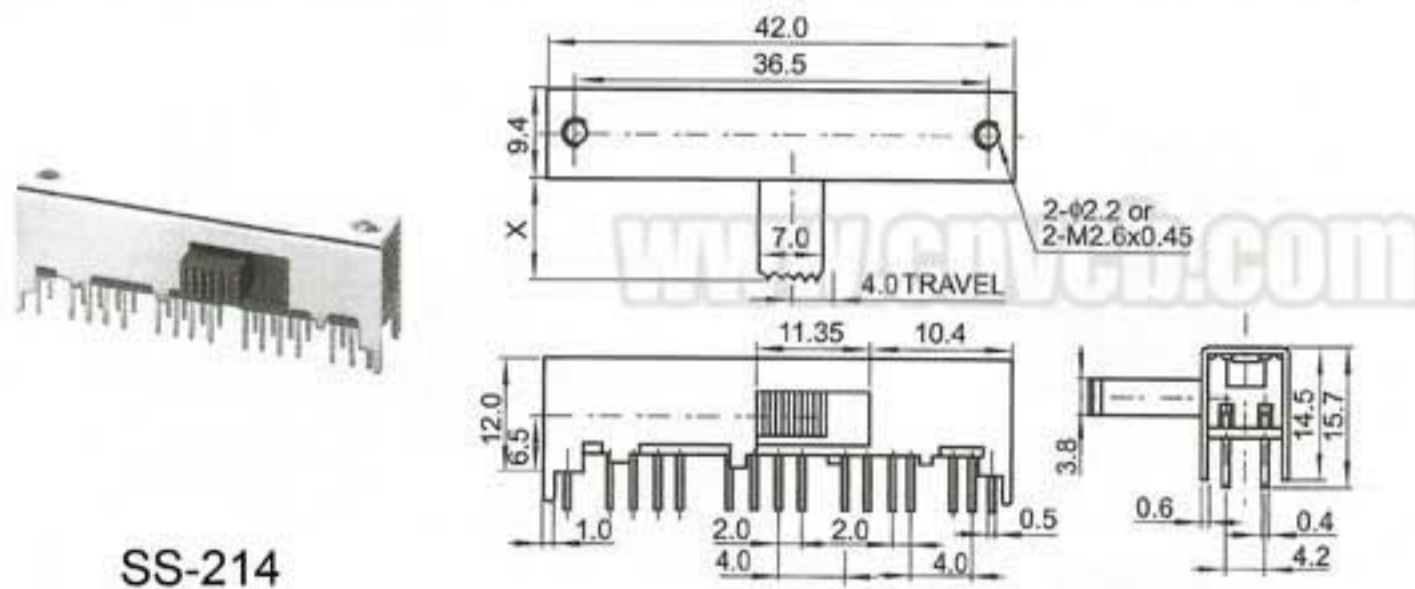
SS-207



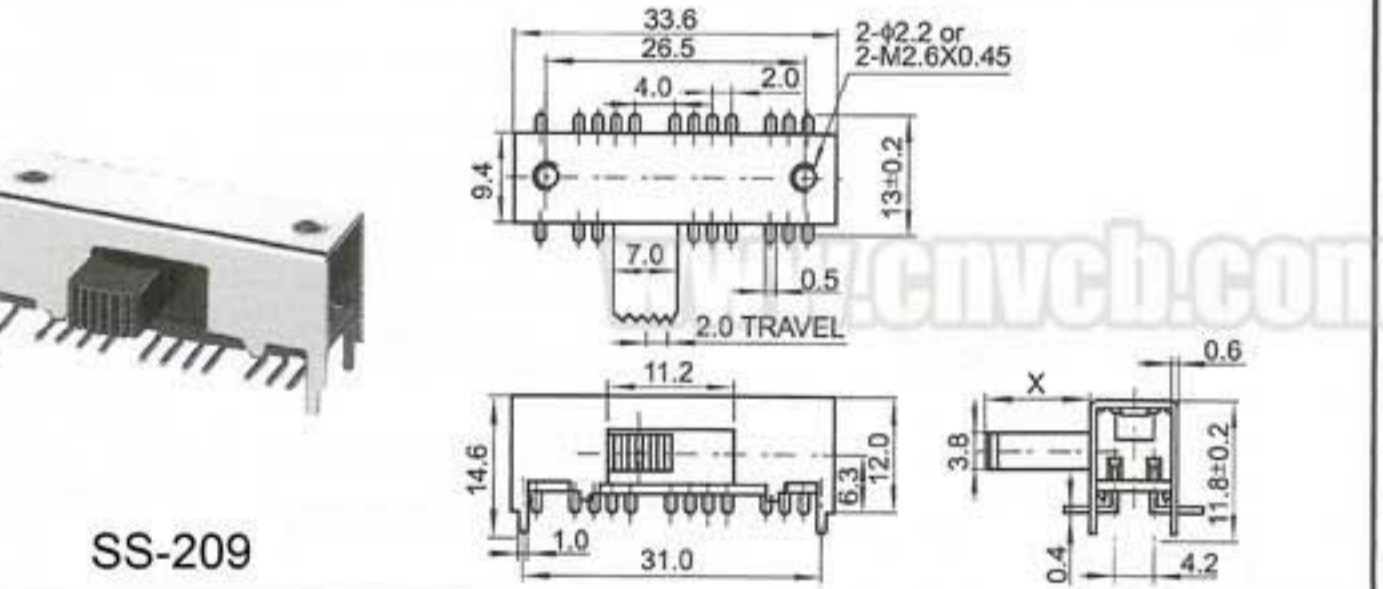
SS-213



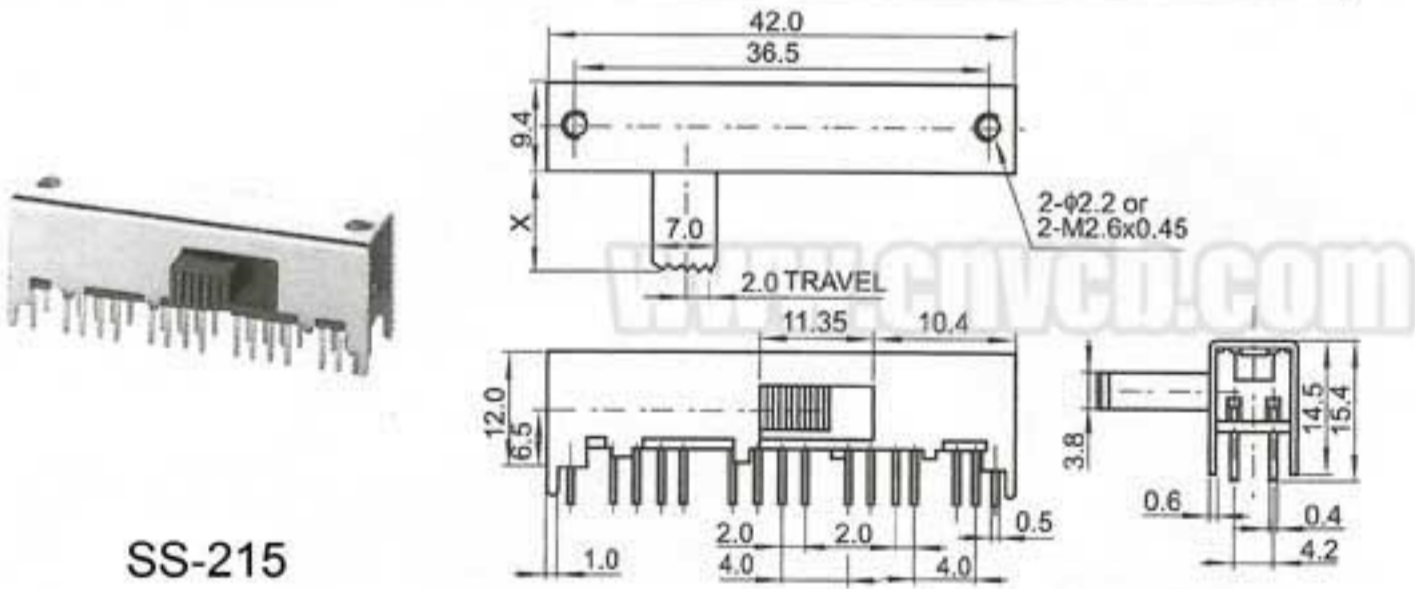
SS-208



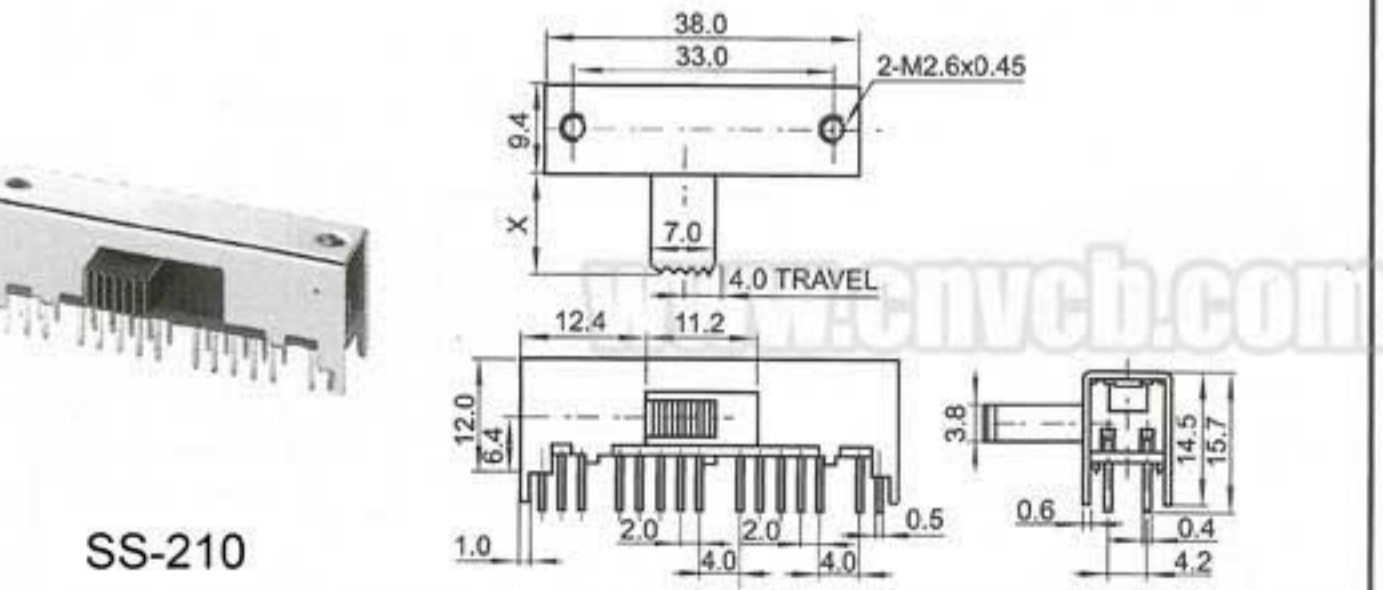
SS-214



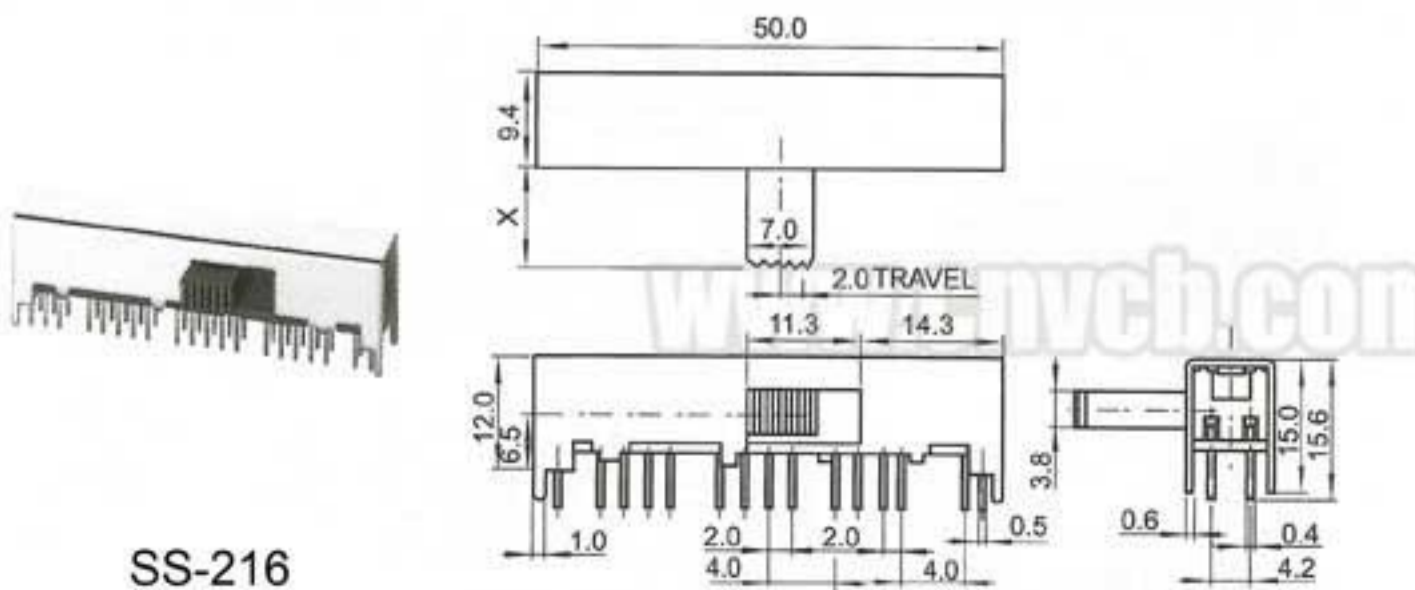
SS-209



SS-215

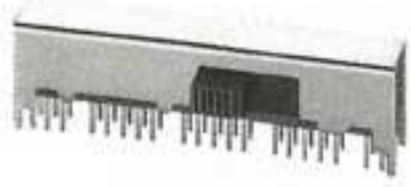


SS-210

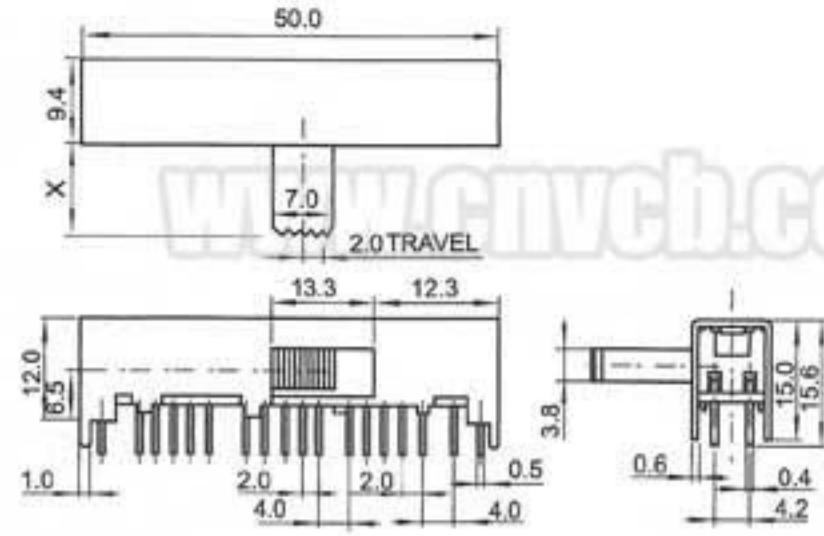


SS-216

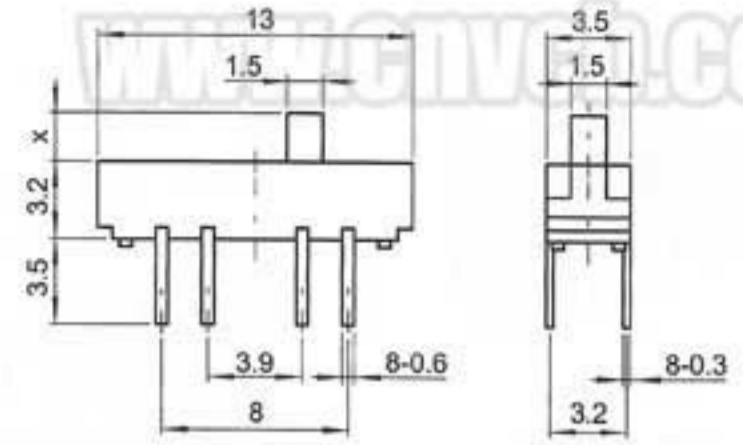




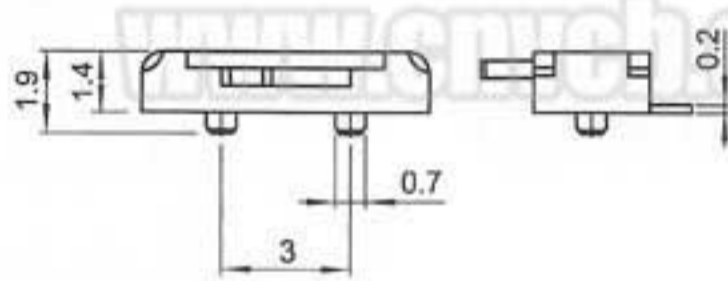
SS-217



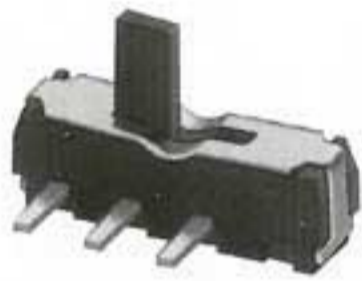
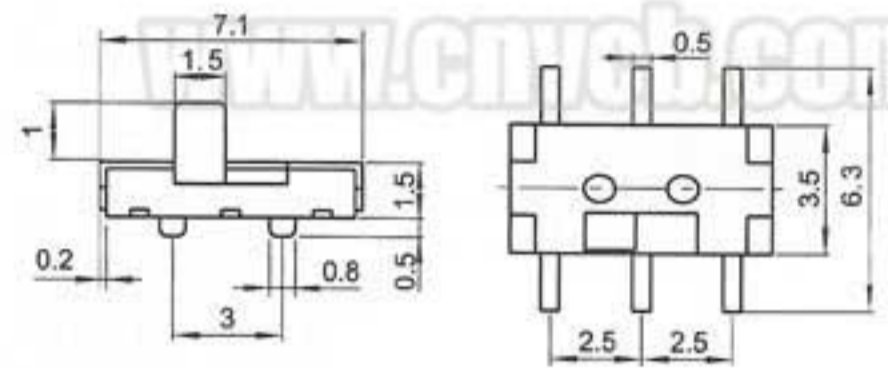
SS-223



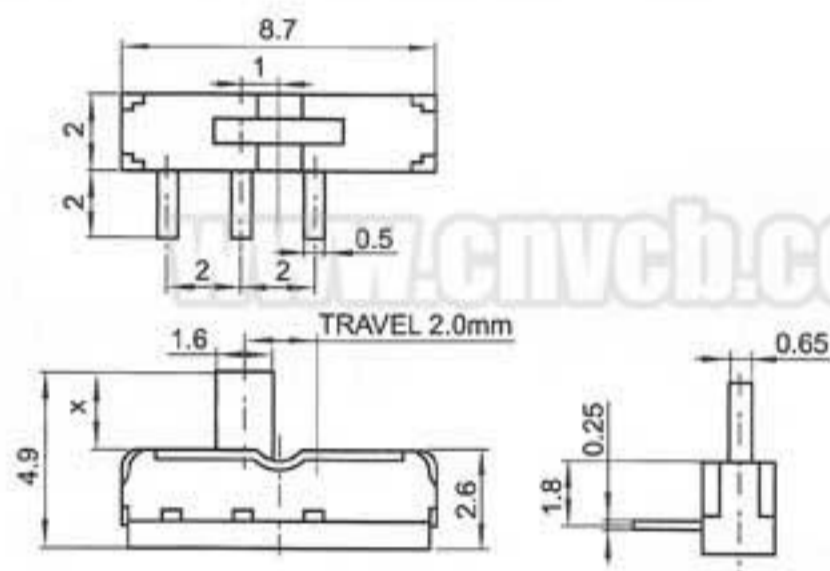
SS-218



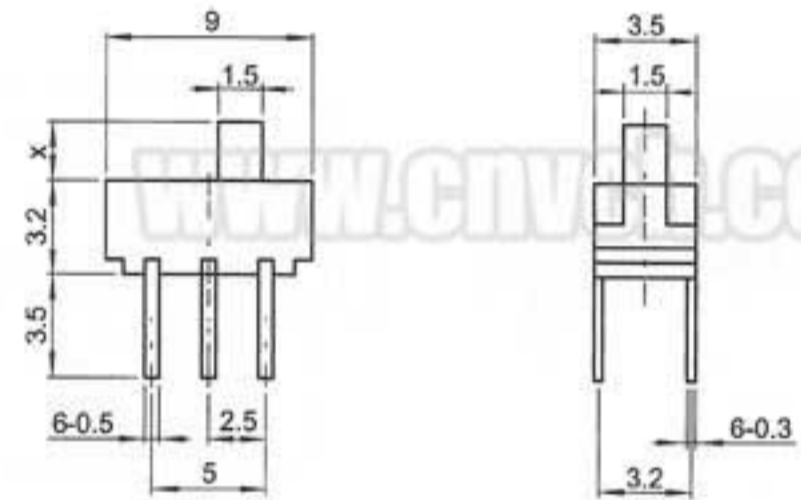
SS-224



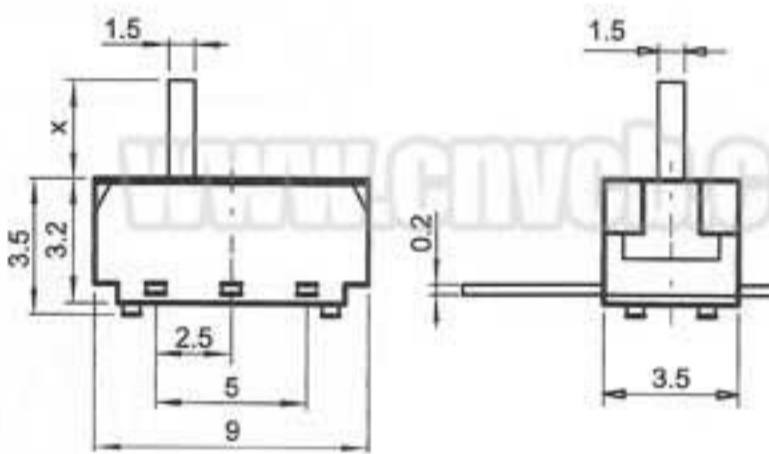
SS-219



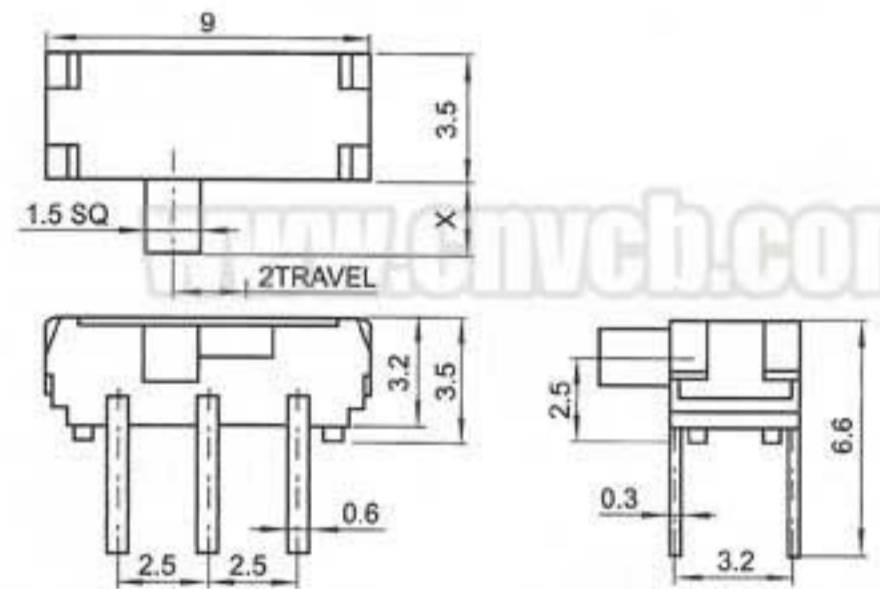
SS-225



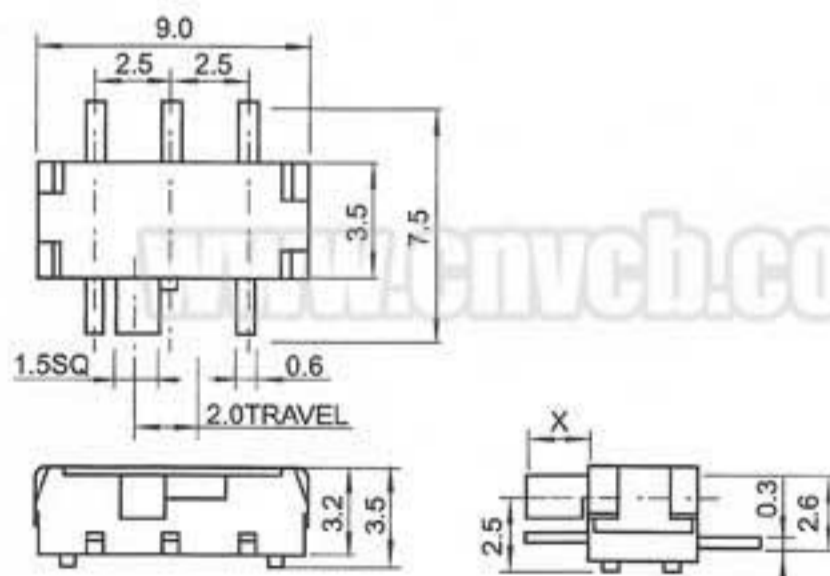
SS-220



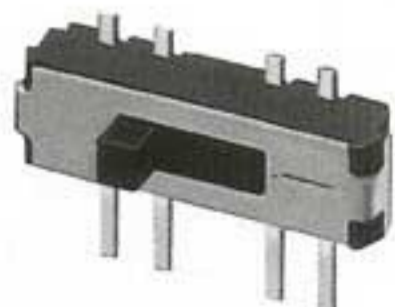
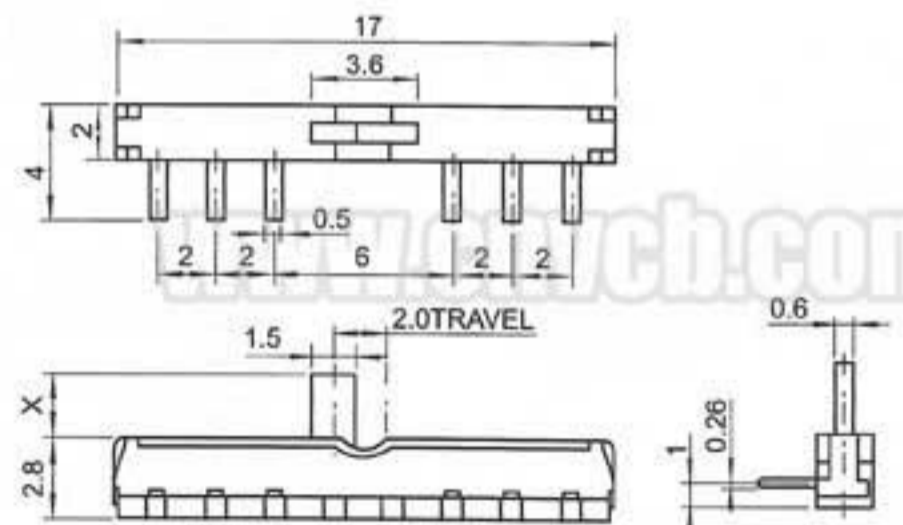
SS-226



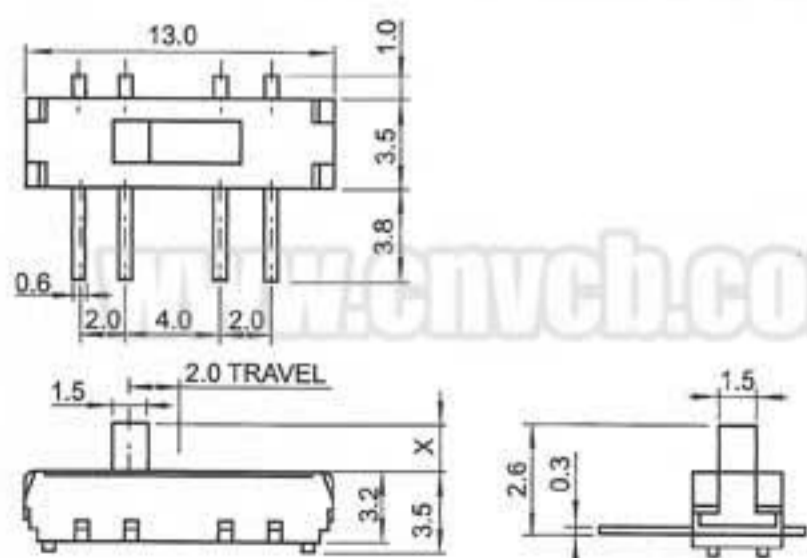
SS-221



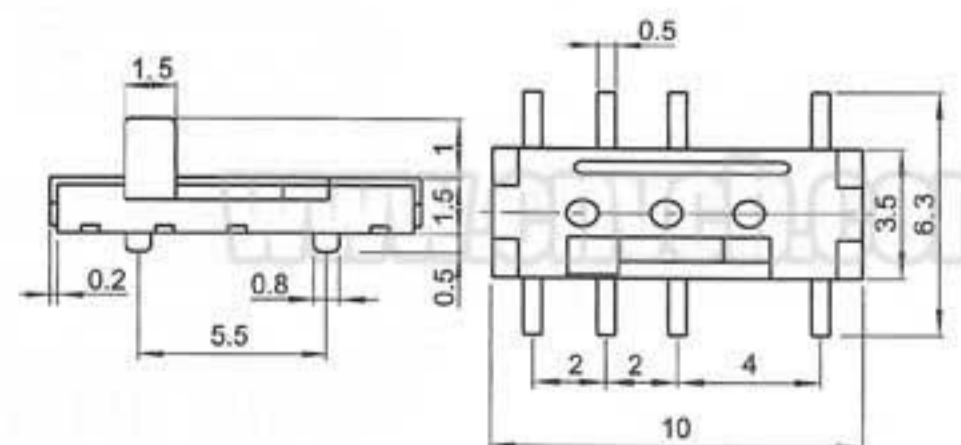
SS-227



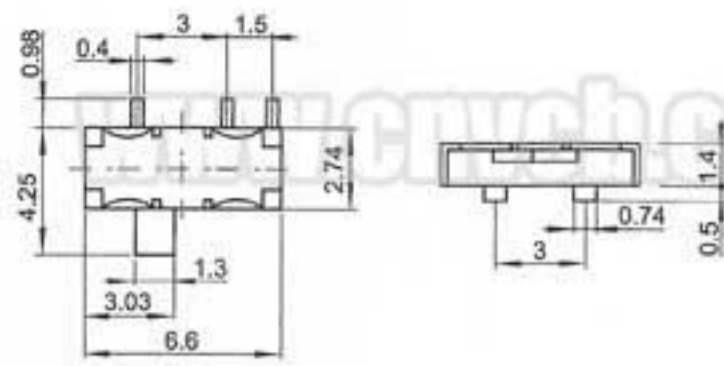
SS-222



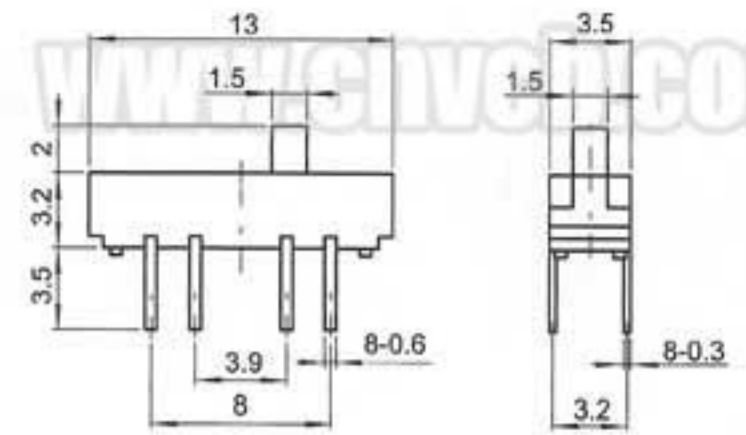
SS-228



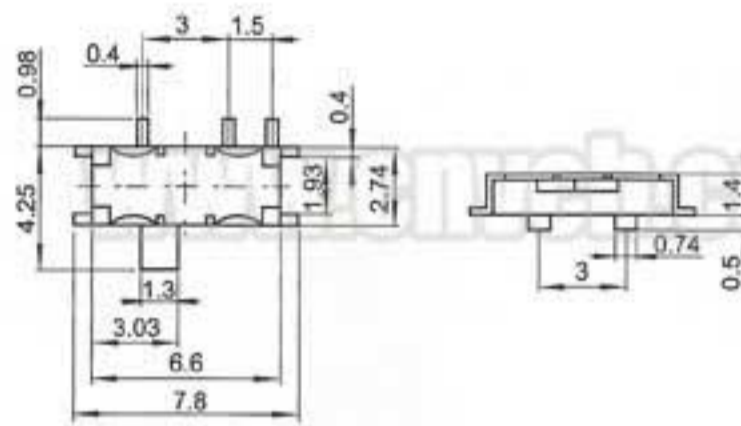
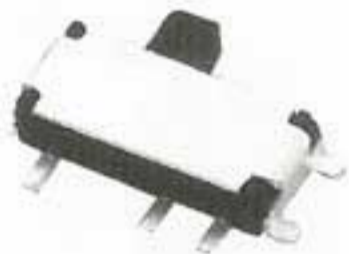




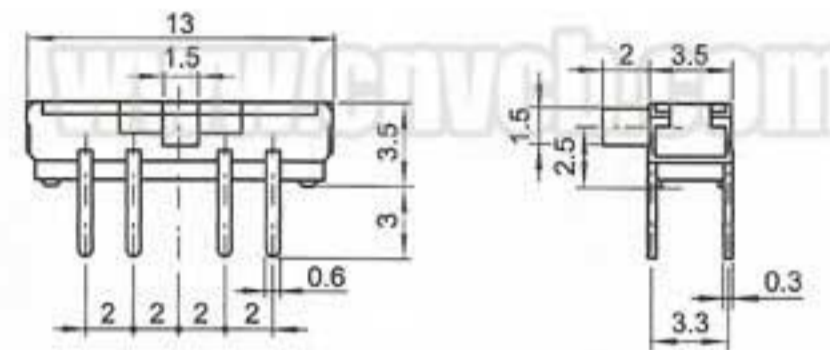
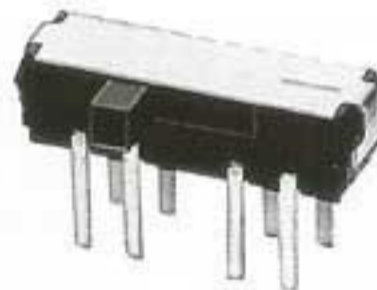
SS-229



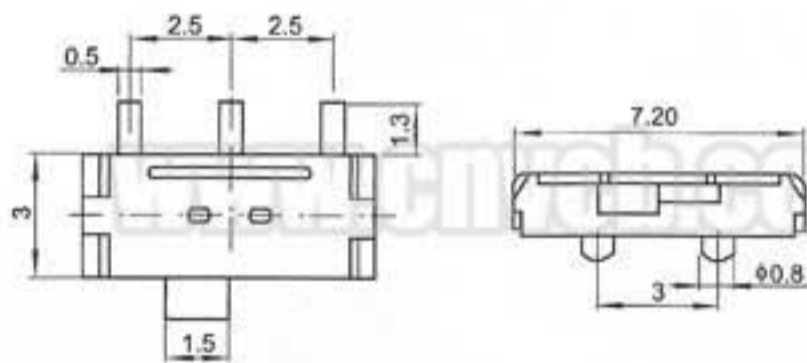
SS-235



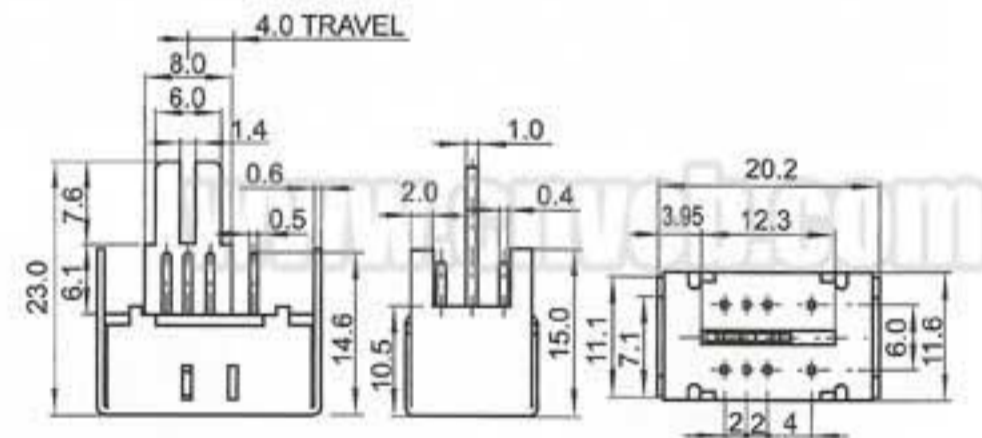
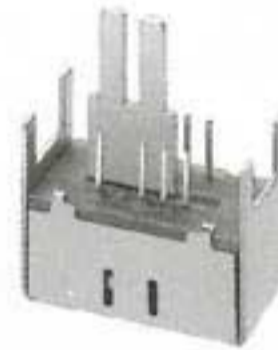
SS-230



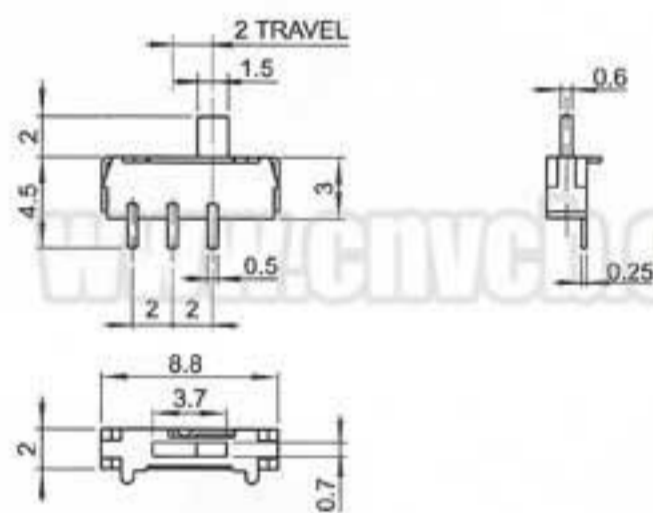
SS-236



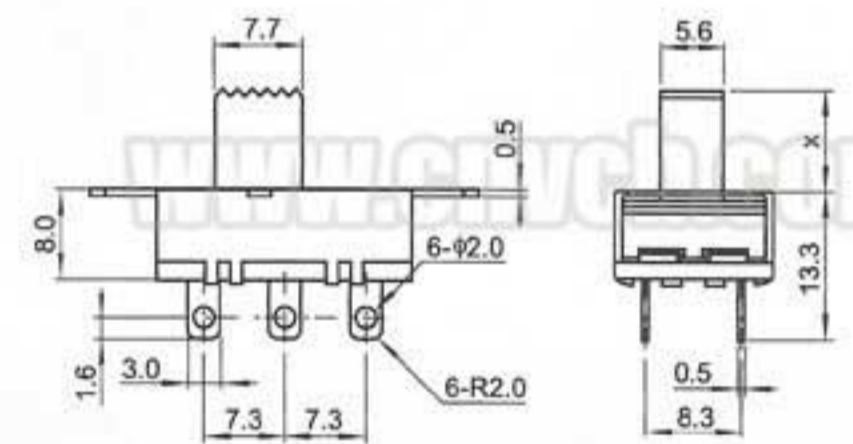
SS-231



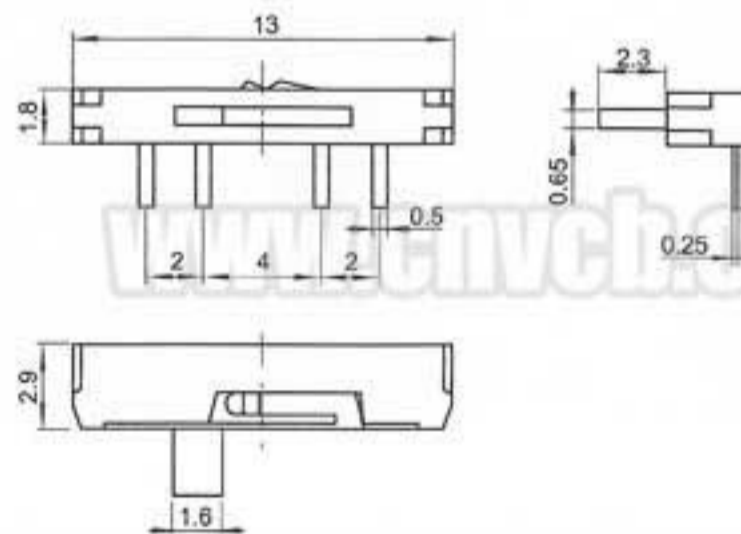
SS-237



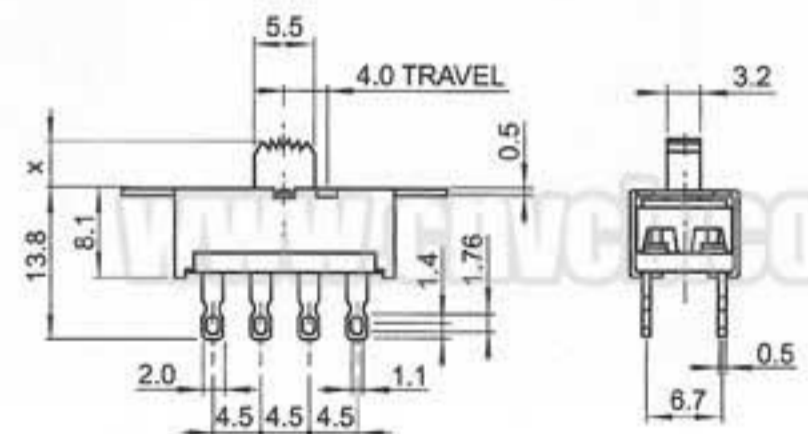
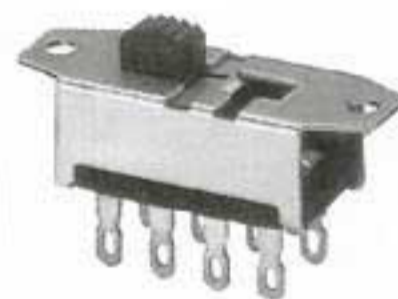
SS-232



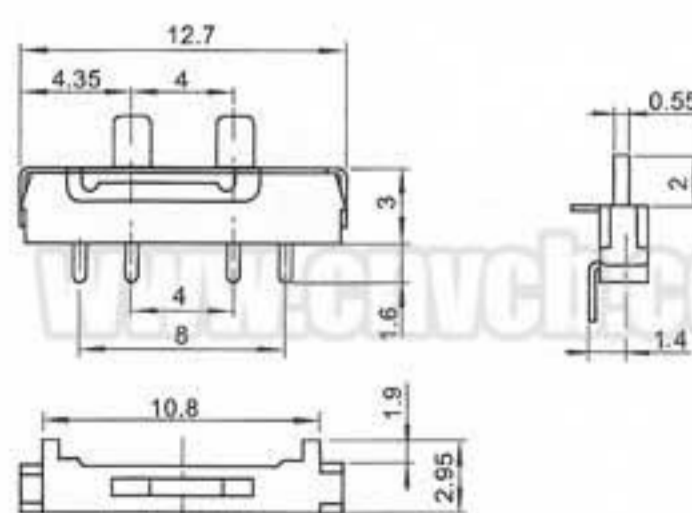
SS-238



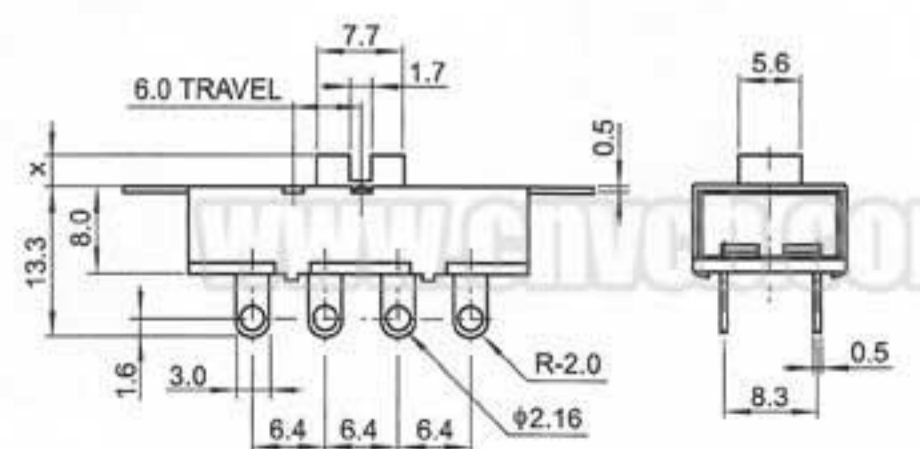
SS-233



SS-239



SS-234



SS-240